



WV-CF364



WV-CF334



Minimum illumination (Color):
0.6 lux



Automatic switching
Color/Black&White



Minimum illumination (B/W):
0.05 lux (WV-CF364)



Smart look Day/Night Fixed Dome Camera with 1/3 inch CCD

Key Features

- High resolution: 540 TV lines
- High sensitivity with Simple Day/Night function (WV-CF334)
 - : 0.6 lux (Color)
 - : 0.4 lux (B/W)
- High sensitivity with True Day/Night function (WV-CF364)
 - : 0.6 lux (Color)
 - : 0.05 lux (B/W)
- ABS (Adaptive Black Stretch) enhances visibility of dark area without degrading image quality in bright area.
- Various adjustment features including BLC (Back Light Compensation), ATW (Auto Tracing White Balance) and ALC (Automatic Light Control)
- 2 White Balance modes are selectable with Dip Switch: ATW (Auto Tracing White Balance) / AWC (Automatic White Balance Control)
- 2.8 ~ 10 mm 3.6x Varifocal Auto Iris lens
- Internal/Multiplexed Vertical Drive (VD2) synchronization
- Monitor output for easier lens adjustment upon installation
- 3-way hinge (horizontal, vertical and swivel rotation) for easy installation

- Various mounting options: Surface mount, Embedded mount (with optional WV-Q168), Mounting to a junction box (locally obtained)
- Smart look fits for various applications such as shopping mall, hotels and hospitals.

Standard Accessories

- | | |
|--------------------------------------|--|
| • Operating Instructions 1 pc. | • CD-ROM
(including Operating Instructions) ... 1 pc. |
|--------------------------------------|--|

Optional Accessories

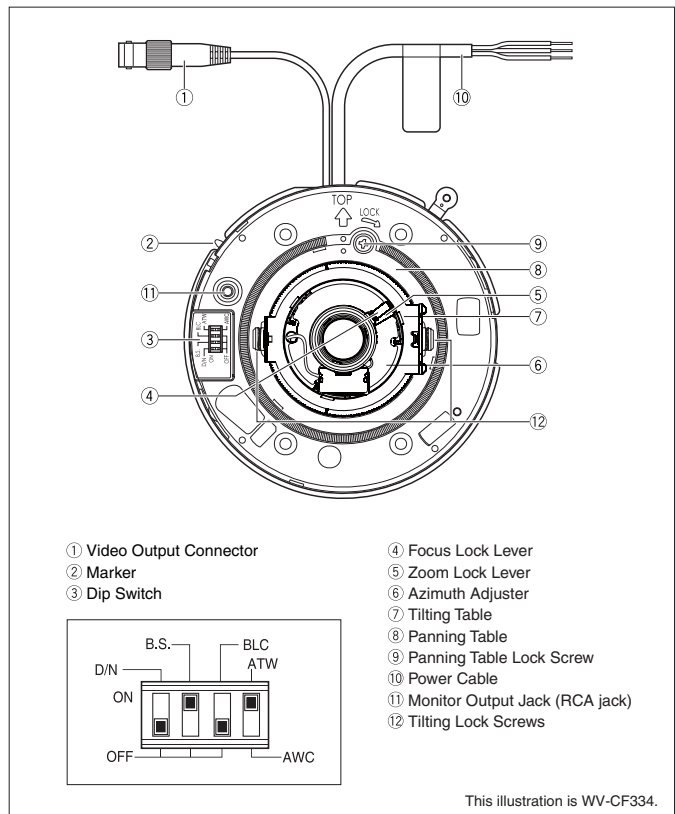


Specifications

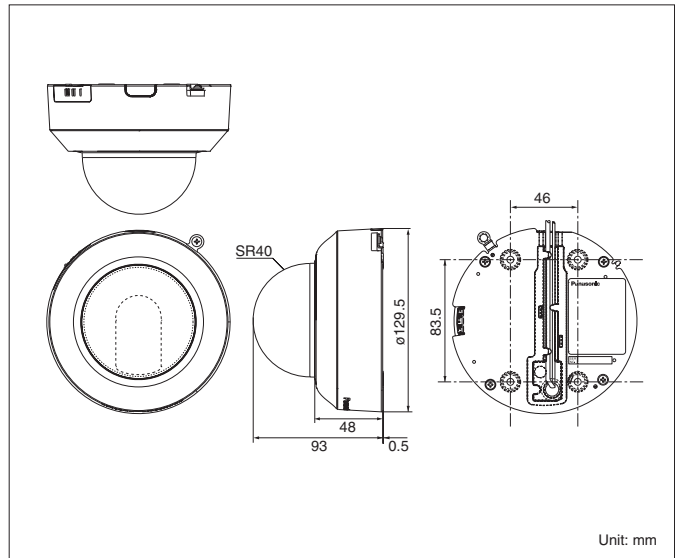
Model No.	WV-CF334	WV-CF364
TV System	PAL	
Camera	Image Sensor 1/3 inch interline transfer CCD	
	Effective Pixels 752 (H) x 582 (V)	
	Scanning Mode 2:1 interlace scan	
	Scanning Area 4.9 (H) x 3.7 (V) mm	
	Scanning Frequency Horizontal: 15.625 kHz Vertical: 50 Hz	
	Scanning Line 625 lines	
	Horizontal Resolution 540 TV lines (V: 400 TV lines)	
	Minimum Illumination (at Wide (F1.3)) Color: 0.6 lux B/W: 0.4 lux at Wide	Color: 0.6 lux B/W: 0.05 lux at Wide
	Signal-to-Noise Ratio 50 dB (equivalent to AGC Off, Weight on)	
	White Balance ATW / AWC	
	Light Control ALC	
	AGC Always ON	
	Back Light Compensation ON / OFF	
	Adaptive Black Stretch ON / OFF	
	Black and White Mode*1 ON (AUTO) / OFF (No IR filter moving)	ON (AUTO) / OFF (IR filter moving)
	Back Focus Adjustment Manual	
	Synchronization Internal (INT), Multiplexed Vertical Drive (VD2)	
Lens	Focal Length 2.8 mm ~ 10.0 mm	
	Angular Field of View H: 100.2° (Wide) ~ 27.4° (Tele) V: 73.3° (Wide) ~ 20.5° (Tele)	
	Maximum Aperture Ratio 1:1.3 (Wide) 1:3.1 (Tele)	
	Focusing Range 1.2 m (3.9 ft.) ~ ∞	
Pan and Tilt	Panning range +180° ~ -140°	
	Tilting Range ±75°, Image tilt adjustment range: ±110°	
Input/ Output	Video Output 1.0 V [p-p] / PAL composite 75 Ω / BNC Connector Multiplexed VD2 capable	
	Monitor Output 1.0 V [p-p] / 75 Ω / PAL composite signal / ø3.5 mm RCA jack	
General	Setup Method Dip Switch	
	Safety/EMC Standard CE (EN60065, EN55022 ClassB, EN55024), GOST (R 51558)	
	Power Source and Power Consumption 12 V DC, 220 mA 24 V AC 50 Hz, 2.7 W	
	Ambient Operating Temperature -10 °C ~ +50 °C	
	Ambient Operating Humidity 90% or less (without condensation)	
	Dimensions ø129.5 mm x 93 mm (H)	
	Weight (approx.) 430 g	

*1 Factory default setting is 'off'. To select this mode, turn on the Dip Switch mode.

Part Names and Functions



Appearance



Important

– Safety Precaution: carefully read the operating instructions and installation manual before using this product.

DISTRIBUTED BY:

- All TV pictures are simulated.
- Weights and dimensions are approximate.
- Specifications are subject to change without notice.
- These products may be subject to export control regulations.
- All product pictures are PAL models.

Panasonic[®]

<http://panasonic.net/security/>

Printed in Japan (2A-053CA)