



## 32-inch Class 720p Hospitality LCD HDTV TH-32LRU30

### Product specification (design and specification subject to change without notice)

#### ■ DISPLAY PANEL

Screen Size (Diagonal)	31.5-inch
Aspect ratio	16:9
Panel	IPS (WXGA)
Number of pixels (H x V)	1,366 x 768 pixel
Brightness (Panel)	450 cd/m <sup>2</sup>
Contrast Ratio	18,000 :1
Viewing Angle	178 degrees
Response Time	7 ms (G to G)
Life Time	approx. 60,000 hours
Intelligent Scene Controller	Yes

#### ■ RECEIVING SYSTEM

ATSC / NTSC / QAM	Yes
FTG Pro:Idiom HD Support	EBL (embedded b-LAN, requires FMA-PA101 server) or Local Authentication via SD card

#### ■ VIDEO

VIDEO CODEC	MPEG2/MPEG4/H.264
-------------	-------------------

#### ■ CONNECTION TERMINAL

RF IN (Antenna/Cable)	1	
VIDEO IN	RCA x 1 (rear), RCA x 1 (side)	1.0 V [p-p] (75Ω)
AUDIO IN (L/R)	RCA (L/R) x 1 set (rear), x 1 set (side)	0.5 V [rms]
COMPONENT IN	RCA x 3	Y : with sync 1.0 V [p-p] (75Ω) P <sub>B</sub> , P <sub>R</sub> : 0.7 V [p-p] (75Ω)
AUDIO IN (L/R)	RCA x 1 sets	0.5 V [rms]
HDMI IN	HDMI TYPE A connector x 2 (rear), x 1 (side)	
PC IN	MINI D-SUB 15PIN x1 (Female) Plug & Play (VESA DDC 2B)	G : with sync 1.0 V [p-p] (75Ω) B, R : 0.7 V [p-p] (75Ω) HD/VD : 1.0 - 5.0 V [p-p] (high impedance)
AUDIO IN (L/R)	RCA Pin jack x 1 (rear) Common with Component	0.5 V [rms]
AUDIO OUT (Digital)	Optical x 1 (rear)	
AUDIO OUT (Analog)	M3 jack x 1 (rear)	0.5 V [rms]
DATA / MTI	RJ11 x 1 (Compatible with LodgeNet game controller)	
SERIAL Port	M3 jack x 1	
SD Card slot	1	

#### ■ ELECTRICAL

Power Requirements	110-127 V AC, 60Hz (AC Power Cable 90.6" (2.3m))
Power Consumption	106W
On mode Average Power Consumption*	62W
Stand-by condition	0.8W

\*Based on IEC 62087 Ed.2 section 11.6.1 measurement method.

#### ■ AUDIO

Audio Output Power	10W + 10W (10%THD)
Invisible Speaker System Details	1 way 2 bottom Speaker
Sound System Type	AV Surround
Bass/Treble/Barance controls	Yes

#### ■ DIMENSIONS & WEIGHT

TV with Stand (W x H x D)	31.5" x 21.8" x 10.8" (798 x 553 x 272 mm)
TV without Stand (W x H x D)	31.5" x 20.2" x 3.3" (798 x 511 x 83 mm)
Carton Dimensions (W x H x D)	40.6" x 23.7" x 7.6" (1030 x 602 x 193 mm)
TV with Stand Weight	approx. 27.6 lbs. (12.5 kg)
TV without Stand Weight	approx. 21.0 lbs. (9.5 kg)
Gross weight	approx. 35.3 lbs. (16.0 kg)
Cabinet Color	Matte Black

#### ■ ENVIRONMENTAL

Operating environment	Temperature	: 32° F to 95° F (0 °C to 35 °C)
	Humidity	: 20% to 80% (Non condensation)
Storage environment	Temperature	: -4° F to 140° F (-20°C to 60 °C)
	Humidity	: 20% to 90% (Non condensation)

**MAIN FEATURE**

Contrast Automatic Tracking System	Yes
Integrated Pro:Idiom	Yes
Welcome message	Yes
SD Card Slot	Image Viewer (JPEG playback) Cloning
OFF Timer	15/30/60/90
Hotel Mode	Initial INPUT INPUT Lock Initial VOL level Maximum VOL level Button Lock Remote Control User Level

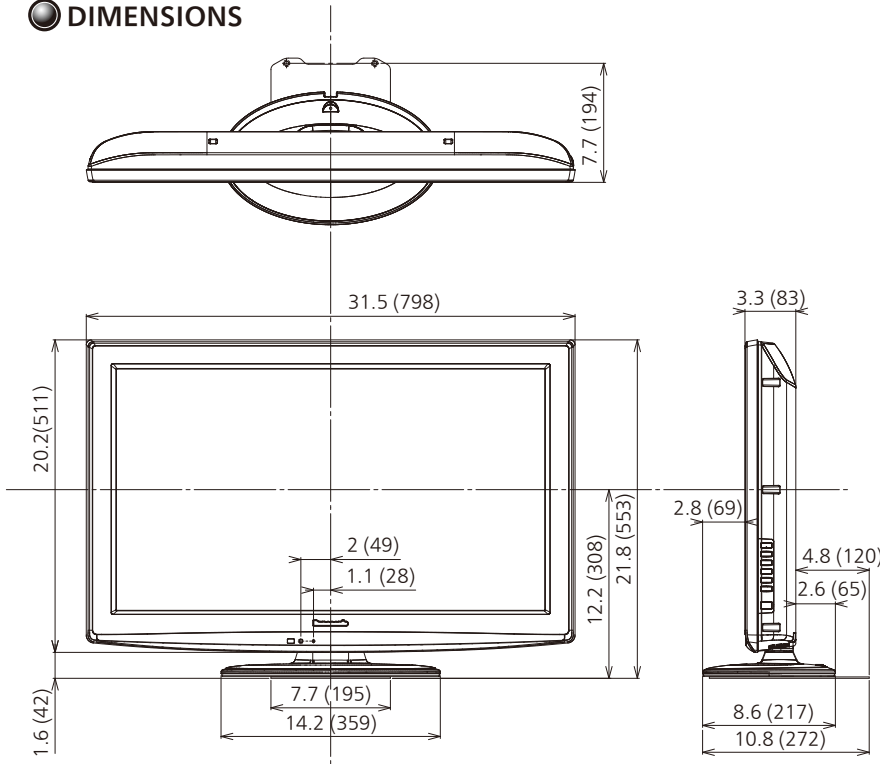
**ACCESSORIES**

INCLUDED ACCESSORIES	Swivel Stand (degrees:30°/60°/90°) Remote control transmitter
OPTIONAL ACCESSORIES	Wall hanging bracket (TY-WK3L2RW) *VESA Compliant W200xH200

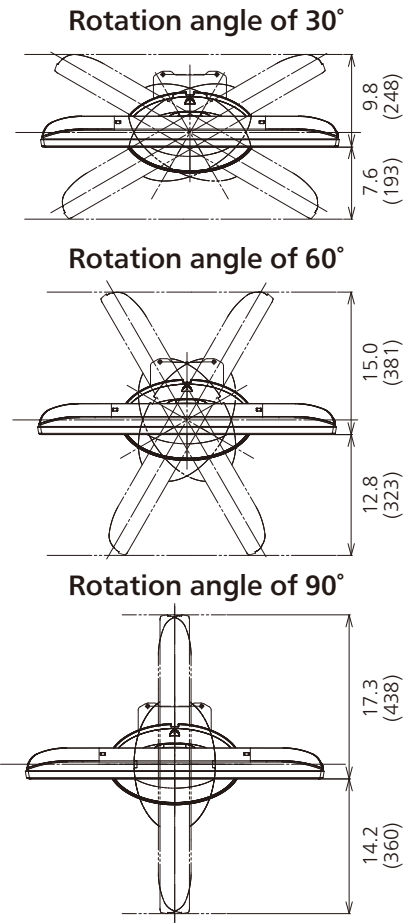
**STANDARD (CERTIFICATIONS)**

SAFETY REGULATIONS	UL6500 Ver.2
RADIATION REGULATIONS	FCC Part 15 Class-B, ICES-003, ISTA
ENERGY STAR 4.2/5.3 (T.B.D)	Yes
UPC Code	885170042759

**DIMENSIONS**

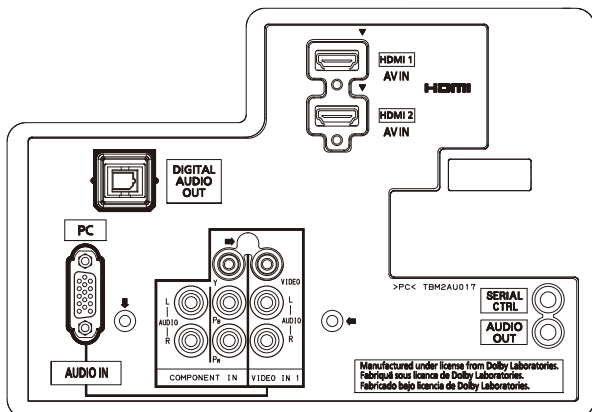


Cautions: This drawing is not a scale  
Units : inches (mm)

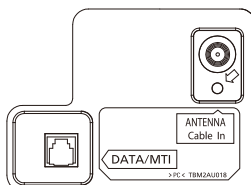


**CONNECTION TERMINAL**

<rear>



<DATA/MTI>



<side>

