

Product summary

- This LAN control board, supports the PJLink™ class1, enables remote control and monitoring of plasma displays by local area network (LAN). It allows you to control numbers of plasma displays efficiently from a distant.
- Equipped with component/RGB input terminals.
Connecting an external device allows you to watch component/RGB video.
- Supports TH-**PF12U series

Product specification (Design and specifications subject to change without notice)

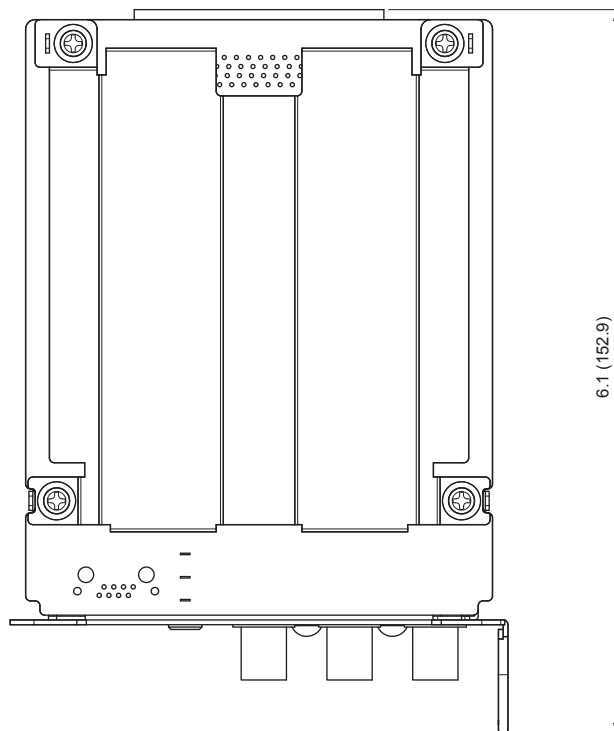
Mass (Weight)	0.6 lbs (250 g)
Slot No.	Slot 1, 2, 3

Connection terminals

LAN	RJ45 10BASE-T/100BASE-TX, compatible with PJLink™	
COMPONENT/RGB IN	G/Y (BNC)	with sync 1.0 Vp-p (75 Ω)
	B/P _B /C _B (BNC), R/P _R /C _R (BNC)	0.7 Vp-p (75 Ω)
	Audio Input	Stereo mini jack (M3) x 1 0.5 Vrms

Accessories • Terminal function label (1 sheet) • Screw (x4) • Ferrite core (x2)

Dimensions



Cautions: This drawing is not a scale.

Units: inches (mm)

