

Panasonic



Dual HD-SDI Terminal Board for 3D TY-FB30DHD3D

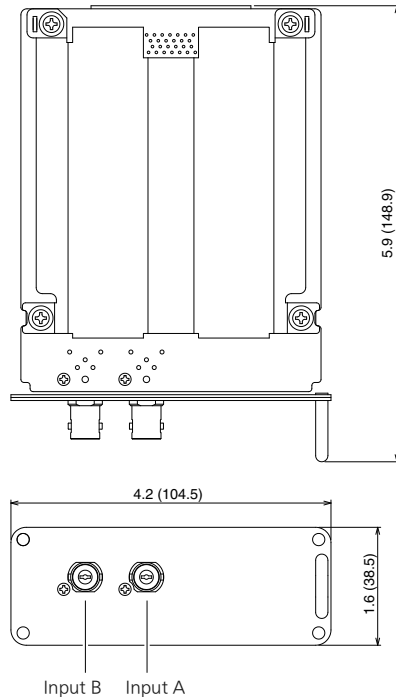
Summary

The HD-SDI simultaneous input system allows 3D images to be transmitted in broadcasting and image production workflows. Left-eye and right-eye image signals are sent through a single coaxial cable.

Specifications (Design and specifications are subject to change without notice.)

Input Terminal	HD-SDI IN (A)	BNC x 1 (HD-SDI/Dual Link HD-SDI A/3D SDI Lch)
	HD-SDI IN (B)	BNC x 1 (Dual Link HD-SDI B/3D SDI Rch)
Standard		HD-SDI:SMPTE292M, Dual Link HD-SDI:SMPTE372M
		AUDIO:SMPTE299M
Compatible 3D signal		Simultaneous / Side by Side / Top and Bottom
Dimensions (W x H x D)		4.1" x 1.5" x 5.9" (104.5 x 38.5 x 148.9 mm)
Weight		Approx. 0.55 lbs. (250.0 g)
Carton Dimensions (W x H x D)		12.0" x 2.4" x 9.8" (305.0 x 60.0 x 250.0 mm)
Gross Weight		Approx. 1.43 lbs. (650.0 g)
Accessories		Screw X 4, Terminal function label (1 sheet), Operating instruction
Recommended cable		75 Ω coaxial cable 5C-FB
Maximum extended length		110 yd (100 m) (When using a cable with a length of less than 110 yd (100 m) and an attenuation of 20 dB at 750 MHz)
UPC Code		037988159864

Dimensions



Cautions: This drawing is not a scale

Units: inches (mm)

Video signals supported by this board

HD-SDI

Signal format		Sampling format Number of pixel bits	fV (Hz)	fH (kHz)	Dot clock (MHz)	Number of active pixels	Total number of pixels	Number of active lines	Total number of lines
1	750 (720) / 60p : 59.94p	YCbCr(4:2:2) / 10bit	60	45	74.25	1280	1650	720	750
2	750 (720) / 50p		50	37.5	74.25	1280	1980	720	750
3	1125 (1080) / 60i : 59.94i		60	33.75	74.25	1920	2200	1080	1125
4	1125 (1080) / 50i		50	28.125	74.25	1920	2640	1080	1125
5	1125 (1080) / 30p : 29.97p		30	33.75	74.25	1920	2200	1080	1125
6	1125 (1080) / 25p		25	28.125	74.25	1920	2640	1080	1125
7	1125 (1080) / 24p : 23.985p		24	27	74.25	1920	2750	1080	1125
8	1125 (1080) / 24sF : 23.985sF		48	27	74.25	1920	2750	1080	1125

Dual Link HD-SDI

Signal format		Sampling format Number of pixel bits	fV (Hz)	fH (kHz)	Dot clock (MHz)	Number of active pixels	Total number of pixels	Number of active lines	Total number of lines
1	1125 (1080) / 60i : 59.94i	RGB(4:4:4), RGB+A(4:4:4:4)*[1] / 10bit	60	33.75	74.25	1920	2200	1080	1125
2	1125 (1080) / 50i		50	28.125	74.25	1920	2640	1080	1125
3	1125 (1080) / 30p : 29.97p	YCbCr(4:4:4), YCbCr+A(4:4:4:4)*[1] / 10bit	30	33.75	74.25	1920	2200	1080	1125
4	1125 (1080) / 25p		25	28.125	74.25	1920	2640	1080	1125
5	1125 (1080) / 24p : 23.985p	RGB(4:4:4), YCbCr(4:2:2), YCbCr(4:4:4) / 12bit[*2]	24	27	74.25	1920	2750	1080	1125
6	1125 (1080) / 24sF : 23.985sF		48	27	74.25	1920	2750	1080	1125
7	1125 (1080) / 60p	YCbCr(4:2:2) / 10bit	60	67.5	74.25	1920	2200	1080	1125
8	1125 (1080) / 50p	YCbCr(4:2:2) / 10bit	50	56.25	74.25	1920	2640	1080	1125
9	2048x1080 / 24p : 23.985p	RGB(4:4:4), X'Y'Z'(4:4:4) / 12bit[*2]	24	27	74.25	2048	2750	1080	1125
10	2048x1080 / 24sF : 23.985sF	RGB(4:4:4), X'Y'Z'(4:4:4) / 12bit[*2]	48	27	74.25	2048	2750	1080	1125

*1: A (alpha channel) is not supported. This data cannot be output.

*2: Although 12-bit signals can be received, they are converted to 10-bit signals for display on-screen.

3D Dual HD-SDI (Simultaneous)

Signal format		Sampling format Number of pixel bits	fV (Hz)	fH (kHz)	Dot clock (MHz)	Number of active pixels	Total number of pixels	Number of active lines	Total number of lines
1	750 (720) / 60p : 59.94p	YCbCr(4:2:2) / 10bit	60	45	74.25	1280	1650	720	750
2	750 (720) / 50p		50	37.5	74.25	1280	1980	720	750
3	1125 (1080) / 60i : 59.94i		60	33.75	74.25	1920	2200	1080	1125
4	1125 (1080) / 50i		50	28.125	74.25	1920	2640	1080	1125
5	1125 (1080) / 30p : 29.97p		30	33.75	74.25	1920	2200	1080	1125
6	1125 (1080) / 25p		25	28.125	74.25	1920	2640	1080	1125
7	1125 (1080) / 24p : 23.985p		24	27	74.25	1920	2750	1080	1125

3D Dual HD-SDI (Side by Side/Top and Bottom)

Signal format		Sampling format Number of pixel bits	fV (Hz)	fH (kHz)	Dot clock (MHz)	Number of active pixels	Total number of pixels	Number of active lines	Total number of lines
All HD-SDI/Dual Link HD-SDI support signals									

Audio signals supported by this board

Only multiplexed and stored audio connected to HD-SDI, Dual Link HD-SDI Link A, 3D Dual HD-SDI 1(L) is supported.
(The selection of multiplexed and stored audio connected to Dual Link HD-SDI Link B and 3D Dual HD-SDI 2(R) is not supported.)

Signal format	Sampling frequency (kHz)	Number of bits	Audio channels (ch)	Synchronized/ not synchronized with video signals
1125(1080)/60i:59.94i:50i:60p:50p 1125(1080)/30p:29.97p:25p:24p:24sF:23.985sF 750(720)/60p:59.94p:50p	48	20bit/24bit	16	Synchronized or not synchronized