

This zoom lens is designed for use with Panasonic's applicable projectors.

*\*Please use the lens only on the specified Panasonic projector.*

**Specifications** (Specifications subject to change without notice.)

F value	1.80 - 2.35	
Focal distance (f)	21.08 mm - 30.00 mm [27/32 - 1 3/16 inches]	
Throw ratio	0.950 - 1.36:1 (16:10 aspect ratio)	
	0.950 - 1.36:1 (16:9 aspect ratio)	
	1.14 - 1.63:1 (4:3 aspect ratio)	
Dimensions	Width	179 mm [7 1/16 inches]
	Height	175 mm [6 7/8 inches]
	Depth	285 mm [11 7/32 inches]
Weight	5.15 kg (11.35 lbs)	
Applicable projector	PT-MZ20KL/PT-MZ17KL/PT-MZ14KL/PT-MZ11KL/PT-MZ16KL/PT-MZ13KL/PT-MZ10KL	

**Dimensions**

unit : mm [inch]  
This illustration is not drawn to scale.

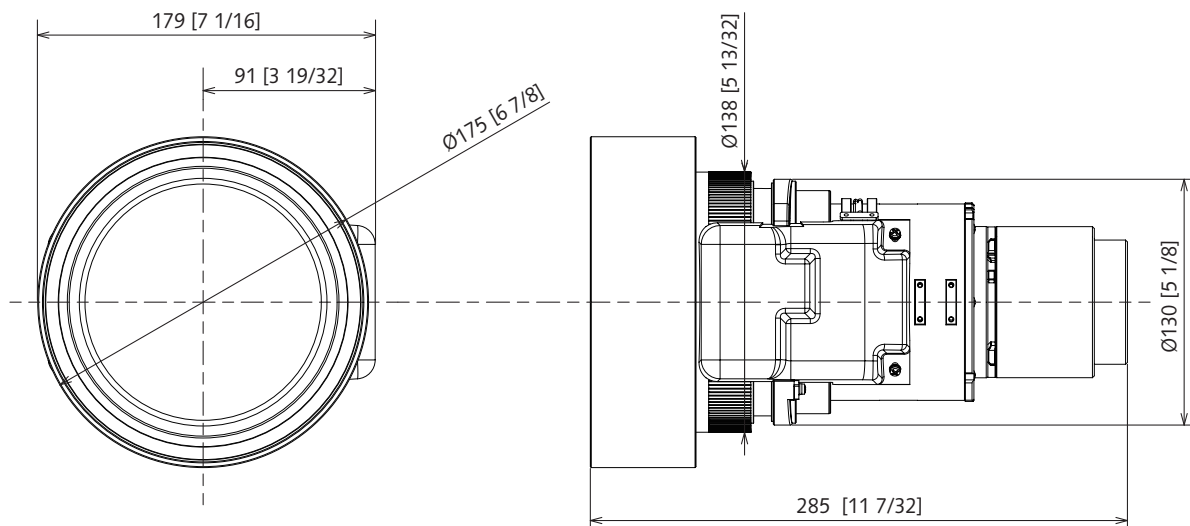
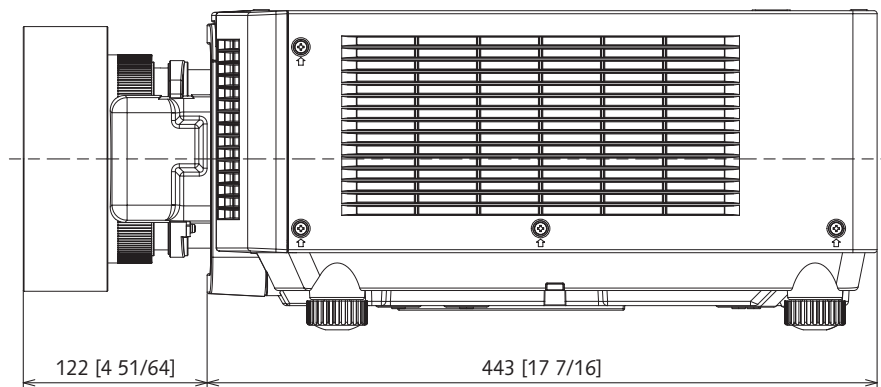


Figure attached to the [PT-MZ20KL/PT-MZ17KL/PT-MZ14KL/PT-MZ11KL/PT-MZ16KL/PT-MZ13KL/PT-MZ10KL] projector



Please read the projector's instruction manual for throw distances.