

Specifications

Main unit

Power supply		AC100-240 V, 50 Hz/60 Hz
Power consumption		300 W 6W when Standby mode set to Normal, 0.5W when Standby mode set to Eco*1 *Operating Temperature: 25°C (77°F), Altitude: 700m (2,297 ft), IEC62087: 2008 Broadcast contents, Picture mode: Dynamic
BTU value		Max 1,024BTU
LCD panel	Panel size	16.0 mm (0.63 inches) diagonal (4:3 aspect ratio)
	Display method	Translucent screen LCD panel 3 panels, 3 primary color system
	Pixels	786,432 pixels (1024 x 768 dots) x 3 panels
	Colors	Full color (16,777,216 colors)
Lens	Manual zoom	1.2 x
	Manual focus	F = 1.6-1.76, f = 19.16 mm-23.02 mm
Throw ratio		1.48-1.78:1
Light source		230 W UHM lamp
Lamp replacement cycle		Normal: 10,000hrs / Eco: 20,000hrs / Quiet: 10,000hrs
Light output*2		3,300 lm (When [PICTURE MODE] is set to [DYNAMIC], [LAMP POWER] is set to [NORMAL], [AUTO POWER SAVE] is set to [OFF], and [DAYLIGHT VIEW] is set to [OFF])
Filter replacement cycle*3		Normal: 5,000hrs / Eco: 6,000hrs / Quiet: 10,000hrs
Center-to-corner uniformity*2		85%
Resolution		1024 x 768 pixels (Input signals that exceed this resolution will be converted to 1024 x 768 pixels.)
Contrast ratio*2		20,000:1 (When [PICTURE MODE] is set to [DYNAMIC], [LAMP POWER] is set to [NORMAL], [IRIS] is set to [ON], [AUTO POWER SAVE] is set to [OFF], and [DAYLIGHT VIEW] is set to [OFF])
Screen size		0.76-7.62 m (30-300 inches) diagonally, 16:10 aspect ratio
Installation		[FRONT/DESK], [FRONT/CEILING], [REAR/DESK], [REAR/CEILING]
Keystone correction range		Vertical:±35 ° (Auto, Manual), Horizontal:±35 ° (Manual)
Compatible signals	Video signal	Horizontal : 15.73 kHz, Vertical : 59.94 Hz Horizontal : 15.63 kHz, Vertical : 50.00 Hz
	Y/C signal	Horizontal : 15.73 kHz, Vertical : 59.94 Hz Horizontal : 15.63 kHz, Vertical : 50.00 Hz
	RGB signal	Displayable resolution: 640 x 400 to 1920 x 1200 Dot clock frequency: 162 MHz or less
	YCbCr/YPbPr signal	Displayable resolution: 480i/576i to 1920 x 1080 Dot clock frequency: 148.5 MHz or less
	HDMI signal	Displayable resolution for movie-based signals: 480i/576i* to 1920 x 1080 Displayable resolution for still image signals: 640 x 400 to 1920 x 1200 (non-interlaced) *Pixel-Repetition signal (dot clock frequency 27.0 MHz) only Dot clock frequency: 25 MHz to 162 MHz
Terminals	COMPUTER 1 IN	
	R, G, B	0.7 V [p-p] 75 Ω HD/SYNC TTL high impedance, automatic positive/negative polarity compatible VD TTL high impedance, automatic positive/negative polarity compatible (HD/SYNC and VD do not support 3 value SYNC.)
	Y, Pb (Cb), Pr (Cr)	Y: 1.0 V [p-p] including synchronization signal, Pb (Cb), Pr (Cr): 0.7 V [p-p] 75 Ω
	Y/C signal	Y: 1.0 V [p-p] C: 0.286 V [p-p] 75 Ω S1 signal compatible
	COMPUTER 2 IN/ COMPUTER 1 OUT	
	R, G, B	0.7 V [p-p] 75 Ω HD/SYNC TTL high impedance, automatic positive/negative polarity compatible VD TTL high impedance, automatic positive/negative polarity compatible (HD/SYNC and VD do not support 3 value SYNC.)
	Y, Pb (Cb), Pr (Cr)	Y: 1.0 V [p-p] including synchronization signal, Pb (Cb), Pr (Cr): 0.7 V [p-p] 75 Ω
	VIDEO IN	1 (Pin jack 1.0 V [p-p] 75 Ω)
	HDMI IN	
	Audio signal	2 (HDMI 19 pin, HDCP and Deep color compatible) Linear PCM (Sampling frequency: 48 kHz/44.1 kHz/32 kHz)
	AUDIO IN 1	1 (M3 stereo mini jack, 0.5 V [rms], input impedance 22 kΩ and more)
	AUDIO IN 2	1 (Pin jack x 2 (L-R), 0.5 V [rms], input impedance 22 kΩ and more)
	AUDIO OUT	1 (M3 stereo mini jack, stereo monitor output compatible, 0 V [rms] to 2.0 V [rms] variable, output impedance 2.2 kΩ and less)

Terminals	USB	USB connector (type A x 1) Memory Viewer / Wireless module (Model No.: AJ-WM50 / ET-WML100) compatible / power supply (DC 5 V, maximum 2 A)
	SERIAL IN	1 (D-sub 9 pin, RS-232C compliant, for computer control use)
	LAN	1 (for RJ-45 network connection, PjLink (Class 2) compatible, 10Base-T/100Base-TX)
Built-in speaker	10 W (monaural) x 1	
Power cord length	1.8 m (70-7/8 inches)	
Cabinet	Molded plastic	
Dimensions	Width:335 mm (13-3/16 inches), Height:96*4 mm (3-25/32 inches), Depth:252 mm (9-29/32 inches)	
Weight*5	Approx. 2.9 kg (6.39 lbs)	
Operation noise*2	Normal:38dB / Eco:35dB / Quiet:30dB	
Operating environment temperature*6	5°C-40°C (41°F-104°F) [at less than 700 m (2,296 ft.); [High Altitude Mode]:[off] 5°C-40°C (41°F-104°F) [at 700 m to 1,400 m (2,296 ft. to 4,593 ft.); [High Altitude Mode]:[High 1] 5°C-35°C (41°F-95°F) [at 1,400 m to 2,700 m (4,593 ft. to 8,858 ft.); [High Altitude Mode]:[High 2]	
Operating environment humidity	20%-80% (No condensation)	

Remote control unit

Power supply	DC 3 V (AAA/R03/LR03 battery x 2)
Operation range*7	Approx. 7 m (23 ft) when operated from directly in front of the signal receptor
Dimensions	Width:44 mm (1-23/32 inches), Length:105 mm (4-1/8 inches), Height:20.5 mm (13/16 inches)
Weight*5	63 g (2.22 ozs) (including batteries)

Supplied accessories

- Wireless remote control unit x 1
- Power cord (Number and size of cords depends on region)
- AAA/R03 or AAA/LR03 battery x 2

Optional accessories

- Ceiling Mount Bracket ET-PKL100H (for high ceilings)
- Ceiling Mount Bracket ET-PKL100S (for low ceilings)
- Projector Mount Bracket ET-PKL420B
- Replacement Lamp Unit ET-LAL510
- Replacement Filter Unit ET-RFL300
- D-sub/S-VIDEO Conversion Cable ET-ADSV
- Wireless Module AJ-WM50 series / ET-WML100 series
- Early Warning Software ET-SWA100 series (The symbol at the end of the part number will vary depending on the type of license.)

Compatible Software

- Multi Monitoring & Control Software (for Windows)
- Presenter Light Software (for Windows)*8
- Wireless Projector (for iOS and Android)*9
- Logo Transfer Software

Weights and dimensions shown are approximate. Specifications subject to change without notice.

*1 When the Standby mode is set to Eco, network functions such as power on over the LAN network will not operate. Also, only certain commands can be received for external control using the serial terminal.

*2 Measurement, measuring conditions and method of notation all comply with ISO/IEC 21118:2020 international standards.

*3 Usage environment affects the duration of filter.

*4 With legs at shortest position.

*5 Average value. May differ depending on models.

*6 When the projector is operated at an elevation of 1,400 m (4,593 ft) or less, if the ambient temperature exceeds 35 °C (95 °F), [Lamp Control] will be switched to [Eco] automatically to protect the projector. When the projector is operated at an elevation between 1,400 m (4,593 ft) and 2,700 m (8,858 ft), if the ambient temperature exceeds 30 °C (86 °F), [Lamp Control] will be switched to [Eco] automatically to protect the projector.

*7 Operation range differs depending on environments.

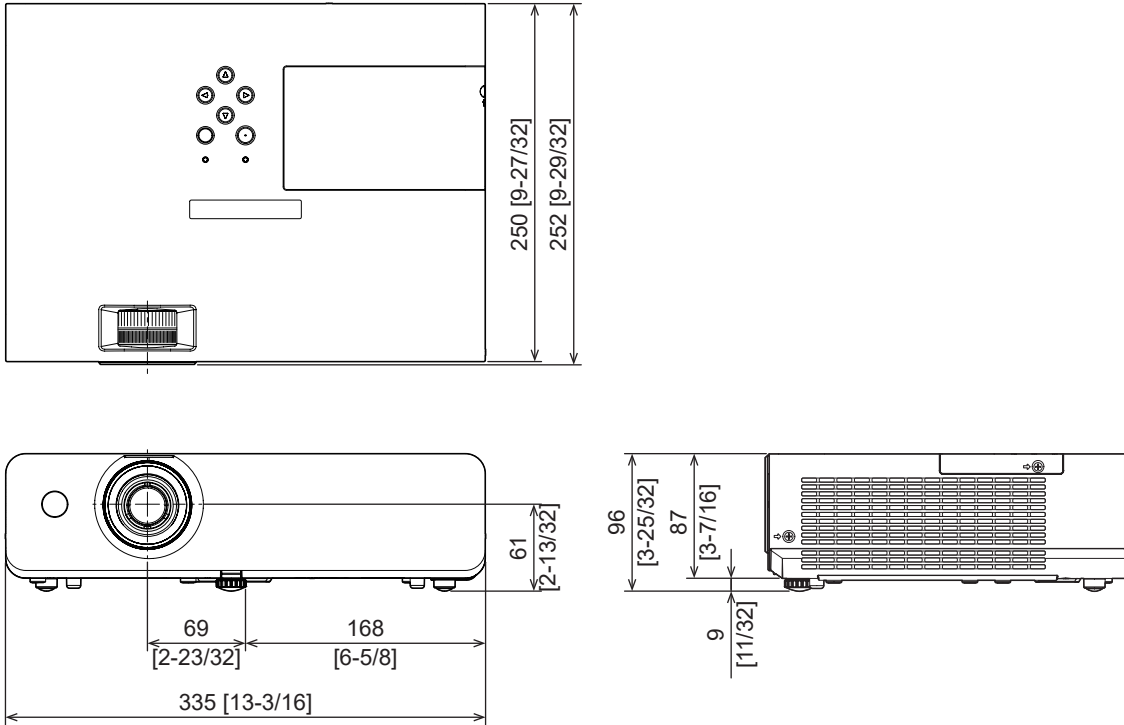
*8 When using Presenter Light Software, images are projected with 1280 x 800 dots or 1024 x 768 dots onto the screen. Also, your PC display resolution may be forcibly changed, and audio playback disrupted or become noisy, while images and sound are being transmitted.

*9 When using the Wireless Projector app, display resolution differs depending on your iOS/Android device and the display device . The maximum supported display resolution is WXGA (1280 x 800).

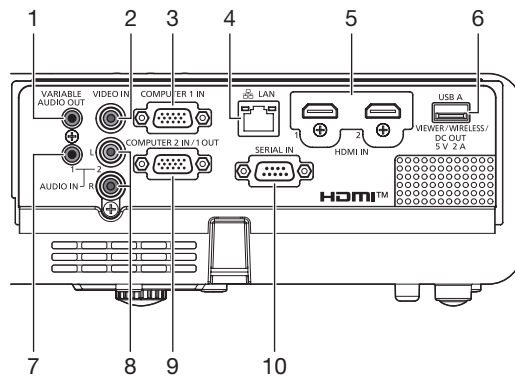
Dimensions

unit : mm [inch]

This illustration is not drawn to scale.



Terminals

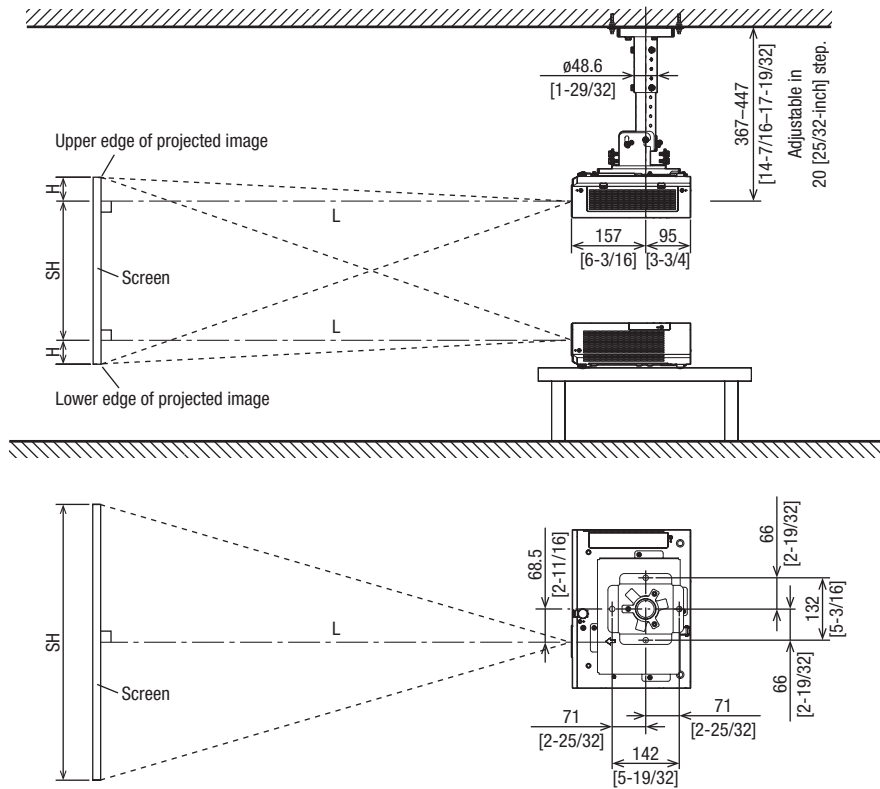


1	Audio output	6	USB A connector
2	Video input	7	Audio input 1
3	Computer 1 input	8	Audio input 2
4	LAN connector	9	Computer 2 input / Computer 1 output
5	HDMI input	10	Serial input

Standard setting-up position

unit : mm [inch]

Illustrations show the projector installed using optional Ceiling Mount Bracket ET-PKL100H and Projector Mount Bracket ET-PKL420B. This illustration is not drawn to scale.



Caution

- All construction work should be done by a qualified technician.
- When mounting to the ceiling, use the special mounting bracket. To prevent the projector from swaying or dropping, attach the wire that is included with Projector Mount Bracket between the Projector Mount Bracket and the ceiling.

Projection distance

A ±5% error in listed projection distances may occur.

When [SCREEN ADJUSTMENT] is used, distance is corrected to become smaller than the specified image size.

Screen aspect ratio 4:3

Unit: meters [feet]

Projection size Screen diagonal	Projection distance (L)		Height from the edge of screen to center of lens (H)
	Minimum distance	Maximum distance	
0.76 m / 30"	0.9 [2.9]	1.1 [3.5]	0.065 [0.214]
1.02 m / 40"	1.2 [3.9]	1.4 [4.7]	0.087 [0.286]
1.27 m / 50"	1.5 [4.9]	1.8 [5.9]	0.109 [0.357]
1.52 m / 60"	1.8 [5.9]	2.2 [7.1]	0.131 [0.429]
1.78 m / 70"	2.1 [6.9]	2.5 [8.3]	0.152 [0.500]
2.03 m / 80"	2.4 [7.9]	2.9 [9.5]	0.174 [0.571]
2.29 m / 90"	2.7 [8.9]	3.3 [10.7]	0.196 [0.643]
2.54 m / 100"	3.0 [9.9]	3.6 [11.9]	0.218 [0.714]
3.05 m / 120"	3.6 [11.9]	4.4 [14.3]	0.261 [0.857]
3.81 m / 150"	4.5 [14.9]	5.5 [17.9]	0.327 [1.071]
5.08 m / 200"	6.1 [19.9]	7.3 [23.9]	0.435 [1.429]
6.35 m / 250"	7.6 [24.9]	9.1 [29.9]	0.544 [1.786]
7.62 m / 300"	9.1 [29.9]	10.9 [35.9]	0.653 [2.143]

Screen aspect ratio 16:9

Unit: meters [feet]

Projection size Screen diagonal	Projection distance (L)		Height from the edge of screen to center of lens (H)
	Minimum distance	Maximum distance	
0.76 m / 30"	1.0 [3.2]	1.2 [3.8]	0.008 [0.026]
1.02 m / 40"	1.3 [4.3]	1.6 [5.1]	0.011 [0.035]
1.27 m / 50"	1.6 [5.4]	2.0 [6.4]	0.014 [0.045]
1.52 m / 60"	2.0 [6.4]	2.4 [7.8]	0.017 [0.055]
1.78 m / 70"	2.3 [7.5]	2.8 [9.1]	0.019 [0.062]
2.03 m / 80"	2.6 [8.6]	3.2 [10.4]	0.022 [0.071]
2.29 m / 90"	3.0 [9.7]	3.6 [11.7]	0.025 [0.080]
2.54 m / 100"	3.3 [10.8]	4.0 [13.0]	0.028 [0.090]
3.05 m / 120"	4.0 [13.0]	4.8 [15.6]	0.033 [0.107]
3.81 m / 150"	4.9 [16.2]	5.9 [19.5]	0.041 [0.135]
5.08 m / 200"	6.6 [21.7]	7.9 [26.0]	0.054 [0.177]
6.35 m / 250"	8.3 [27.1]	9.9 [32.6]	0.068 [0.222]
7.62 m / 300"	9.9 [32.5]	11.9 [39.1]	0.082 [0.267]

Screen aspect ratio 16:10

Unit: meters [feet]

Projection size Screen diagonal	Projection distance (L)		Height from the edge of screen to center of lens (H)
	Minimum distance	Maximum distance	
0.76 m / 30"	0.9 [3.0]	1.1 [3.6]	0.027 [0.089]
1.02 m / 40"	1.3 [4.3]	1.5 [4.9]	0.036 [0.118]
1.27 m / 50"	1.6 [5.3]	1.9 [6.2]	0.046 [0.151]
1.52 m / 60"	1.9 [6.2]	2.3 [7.6]	0.055 [0.180]
1.78 m / 70"	2.2 [7.2]	2.7 [8.9]	0.063 [0.207]
2.03 m / 80"	2.6 [8.5]	3.1 [10.2]	0.072 [0.236]
2.29 m / 90"	2.9 [9.5]	3.5 [11.5]	0.082 [0.269]
2.54 m / 100"	3.2 [10.5]	3.8 [12.5]	0.091 [0.299]
3.05 m / 120"	3.8 [12.5]	4.6 [15.1]	0.109 [0.358]
3.81 m / 150"	4.8 [15.8]	5.8 [19.0]	0.137 [0.449]
5.08 m / 200"	6.4 [21.0]	7.7 [25.3]	0.181 [0.594]
6.35 m / 250"	8.0 [26.3]	9.7 [31.8]	0.227 [0.745]
7.62 m / 300"	9.6 [31.5]	11.6 [38.1]	0.272 [0.892]

Projection distance formulas

For a screen size different from the above, use the equation below to calculate the projection distance.

Aspect ratio 4:3

minimum	$L (m) = (\text{diagonal screen size in inches}) \times 0.0304 - 0.0250$
maximum	$L (m) = (\text{diagonal screen size in inches}) \times 0.0365 - 0.0250$

Aspect ratio 16:9

minimum	$L (m) = (\text{diagonal screen size in inches}) \times 0.0331 - 0.0250$
maximum	$L (m) = (\text{diagonal screen size in inches}) \times 0.0398 - 0.0250$

Aspect ratio 16:10

minimum	$L (m) = (\text{diagonal screen size in inches}) \times 0.0322 - 0.0250$
maximum	$L (m) = (\text{diagonal screen size in inches}) \times 0.0387 - 0.0250$

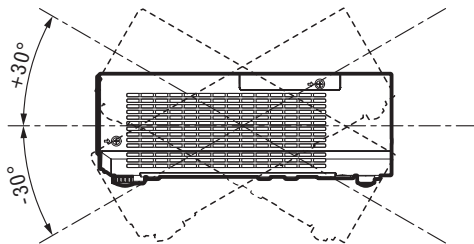
* Distances calculated with the above equations will include a slight error.

Installable angle

Install the projector at an angle within the range shown below.

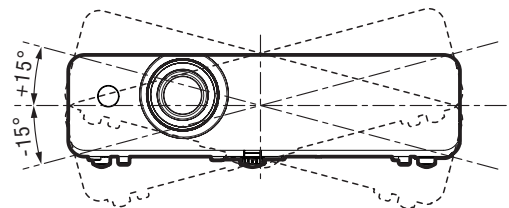
Vertical direction

The projector may be installed at a vertical angle of 30°.



Horizontal direction

The projector may be installed at a horizontal angle of 15°.



List of compatible signals

The following table specifies the type of signals compatible with the projectors.

- Symbols that indicate formats are as follows.
 - V: Video, Y/C
 - R: RGB (analog)
 - Y: YCbCr/YPbPr (analog)
 - H: HDMI
- Input corresponding to each item in the plug and play column is as follows.
 - COMPUTER: COMPUTER 1 / COMPUTER 2 input
 - HDMI: HDMI1 / HDMI2 input

Mode	Display resolution (dots)	Scanning frequency		Dot clock frequency (MHz)	Format	PnP*1	
		Horizontal (kHz)	Vertical (Hz)			COMPUTER	HDMI
NTSC/NTSC4.43/ PAL-M/PAL60	720 x 480i	15.7	59.9	-	V	-	-
PAL/PAL-N/SECAM	720 x 576i	15.6	50.0	-	V	-	-
480/60i	720 x 480i	15.7	59.9	13.5	R/Y	-	-
576/50i	720 x 576i	15.6	50.0	13.5	R/Y	-	-
480/60i	720 (1440) x 480i*2	15.7	59.9	27.0	H	-	-
576/50i	720 (1440) x 576i*2	15.6	50.0	27.0	H	-	-
480/60p	720 x 480	31.5	59.9	27.0	R/Y/H	-	✓
576/50p	720 x 576	31.3	50.0	27.0	R/Y/H	-	✓
720/60p	1280 x 720	45.0	60.0*5	74.3	R/Y/H	-	✓
720/50p	1280 x 720	37.5	50.0	74.3	R/Y/H	-	✓
1080/60i*3	1920 x 1080i	33.8	60.0*5	74.3	R/Y/H	-	✓
1080/50i	1920 x 1080i	28.1	50.0	74.3	R/Y/H	-	✓
1080/24p	1920 x 1080	27.0	24.0*5	74.3	R/Y/H	-	✓
1080/24sF	1920 x 1080i	27.0	48.0*5	74.3	R/Y/H	-	-
1080/25p	1920 x 1080	28.1	1080	74.3	R/Y/H	-	-
1080/30p	1920 x 1080	33.8	30.0*5	74.3	R/Y/H	-	-
1080/60p	1920 x 1080	67.5	60.0*5	148.5	R/Y/H	-	✓
1080/50p	1920 x 1080	56.3	50.0	148.5	R/Y/H	-	✓
640 x 400/70	640 x 400	31.5	70.1	25.2	R/H	-	-
640 x 400/85	640 x 400	37.9	85.1	31.5	R/H	-	-
640 x 480/60	640 x 480	31.5	59.9	25.2	R/H	✓	✓
640 x 480/67	640 x 480	35.0	66.7	30.2	R/H	-	-
640 x 480/73	640 x 480	37.9	72.8	31.5	R/H	✓	✓
640 x 480/75	640 x 480	37.5	75.0	31.5	R/H	✓	✓
640 x 480/85	640 x 480	43.3	85.0	36.0	R/H	-	-
800 x 600/56	800 x 600	35.2	56.3	36.0	R/H	✓	✓
800 x 600/60	800 x 600	37.9	60.3	40.0	R/H	✓	✓
800 x 600/72	800 x 600	48.1	72.2	50.0	R/H	✓	✓
800 x 600/75	800 x 600	46.9	75.0	49.5	R/H	✓	✓
800 x 600/85	800 x 600	53.7	85.1	56.3	R/H	-	-
832 x 624/75	832 x 624	49.7	74.6	57.3	R/H	✓	✓
1024 x 768/50	1024 x 768	39.6	50.0	51.9	R/H	-	-
1024 x 768/60	1024 x 768	48.4	60.0	65.0	R/H	✓	✓
1024 x 768/70	1024 x 768	56.5	70.1	75.0	R/H	✓	✓
1024 x 768/75	1024 x 768	60.0	75.0	78.8	R/H	✓	✓
1024 x 768/82	1024 x 768	65.5	81.6	86.0	R/H	-	-
1024 x 768/85	1024 x 768	68.7	85.0	94.5	R/H	-	-
1024 x 768/100	1024 x 768	81.4	100.0	113.3	R/H	-	-
1152 x 864/60	1152 x 864	53.7	60.0	81.6	R/H	-	-
1152 x 864/75	1152 x 864	67.5	75.0	108.0	R/H	-	-
1152 x 864/85	1152 x 864	77.1	85.0	119.7	R/H	-	-
1152 x 870/75	1152 x 870	68.7	75.1	100.0	R/H	✓	✓
1280 x 720/50	1280 x 720	37.1	49.8	60.5	R/H	-	-
1280 x 720/60	1280 x 720	44.8	59.9	74.5	R/H	-	-
1280 x 768/60	1280 x 768	47.8	59.9	79.5	R/H	-	-
1280 x 768/75	1280 x 768	60.3	74.9	102.3	R/H	-	-
1280 x 768/85	1280 x 768	68.6	84.8	117.5	R/H	-	-
1280 x 800/50	1280 x 800	41.3	50.0	68.0	R/H	-	-
1280 x 800/60	1280 x 800	49.7	59.8	83.5	R/H	-	-
1280 x 800/75	1280 x 800	62.8	74.9	106.5	R/H	-	-
1280 x 800/85	1280 x 800	71.6	84.9	122.5	R/H	-	-
1280 x 960/60	1280 x 960	60.0	60.0	108.0	R/H	-	-

Mode	Display resolution (dots)	Scanning frequency		Dot clock frequency (MHz)	Format	PnP*1	
		Horizontal (kHz)	Vertical (Hz)			COMPUTER	HDMI
1280 x 1024/60	1280 x 1024	64.0	60.0	108.0	R/H	-	-
1280 x 1024/75	1280 x 1024	80.0	75.0	135.0	R/H	-	-
1280 x 1024/85	1280 x 1024	91.1	85.0	157.5	R/H	-	-
1366 x 768/50	1366 x 768	39.6	49.9	69.0	R/H	-	-
1366 x 768/60	1366 x 768	47.7	59.8	85.5	R/H	-	-
1400 x 1050/60	1400 x 1050	65.3	60.0	121.8	R/H	-	-
1400 x 1050/60	1400 x 1050	65.2	60.0	122.6	R/H	-	-
1400 x 1050/75	1400 x 1050	82.3	74.9	156.0	R/H	-	-
1440 x 900/60	1440 x 900	55.9	59.9	106.5	R/H	-	-
1600 x 900/50	1600 x 900	46.3	50.0	97.0	R/H	-	-
1600 x 900/60	1600 x 900	55.9	60.0	119.0	R/H	-	-
1600 x 1200/60	1600 x 1200	75.0	60.0	162.0	R/H	✓	✓
1680 x 1050/50	1680 x 1050	54.1	50.0	119.5	R/H	-	-
1680 x 1050/60	1680 x 1050	65.3	60.0	146.3	R/H	-	-
1920 x 1080/50	1920 x 1080	55.6	49.9	141.5	R/H	-	-
1920 x 1080/60*4	1920 x 1080	66.6	59.9	138.5	R/H	-	-
1920 x 1200/50	1920 x 1200	61.8	49.9	158.3	R/H	-	-
1920 x 1200/60*4	1920 x 1200	74.0	60.0	154.0	R/H	-	-

*1 Where marked " ✓ " signals indicates in Plug and Play is compatible with EDID of projector. Unmarked signals in Plug and Play may also be compliant if input terminals are written in the format list. Where Plug and Play is unmarked and nothing is written in the format list, difficulties in projecting image may occur even when computer and projector appear to have same resolution.

*2 Pixel-Repetition signal (dot clock frequency 27.0 MHz) only.

*3 When a 1125 (1035)/60i signal was input, it is displayed as a 1125 (1080)/60i signal.

*4 VESA CVT-RB (Reduced Blanking)-compliant.

*5 The signal with 1/1.001x vertical scanning frequency is also supported.

Note

- The number of display dots is 1024 x 768.
- A signal with a different resolution will be projected after converting the resolution to match the projector display.
- "i" added to the resolution value indicates an interlaced signal.
- When interlaced signals are connected, flicker may occur on the projected image.
- The image may not be displayed in full screen according to the computer output setting.

Weights and dimensions shown are approximate. Specifications and appearance are subject to change without notice. Product availability differs depending on region and country. This product may be subject to export control regulations.

The terms HDMI and HDMI High-Definition Multimedia Interface, and the HDMI Logo are trademarks or registered trademarks of HDMI Licensing Administrator, Inc. in the United States and other countries.

Trademark PJLink is a trademark applied for trademark rights in Japan, the United States of America and other countries and areas.

All other trademarks are the property of their respective trademark owners.