

**Specifications**

**Main unit**

Power supply		AC100V-120V/200V-240V 50 Hz/60 Hz	
Power consumption*1		1100W (1110 VA (AC100 V))	
	Operation mode	[Normal]	875 W
		[Eco]	700 W
	Standby mode	[Normal]	4 W
		[Eco]	0.3 W
BTU value		Max 3755 BTU	
DLP™ chip	Panel size	24.4 mm [0.96 in] diagonal (16:10 aspect ratio)	
	Display method	DLP™ chip x 3, DLP™ projection system	
	Number of pixels	2,304,000 (1,920 x 1,200)	
Refresh rate		120Hz Refresh rate varies depending on scanning frequency.	
Light source		Laser diodes	
Light output*2	Operation mode	[Normal]	16,800 lm(Center)*3/16,000 lm*4
		[Eco]	12,800 lm*4
Time until light output declines to 50%*5	Operation mode	[Normal]	20,000 hours
		[Eco]	24,000 hours
Resolution		1920 x 1200 pixels	
Contrast ratio*4		20,000:1 (Full On/Full Off, Dynamic Contrast Mode: 3)	
Screen size (diagonal)		1.78–25.40 m [70-1,000 in]	
		1.78–15.24 m [70-600 in]	ET-D75LE8/ET-D3LET80
		5.08–15.24 m [200-600 in]	ET-D3LEW200, ET-D3LEU100
		3.05–15.24 m [120-600 in]	ET-D75LE95, ET-D75LE90
Center to corner zone ratio*4		90%	
Lens		Optional (no lens included with this model)	
Lens shift	Vertical (from center of screen)	±55% ±44% with ET-D75LE6/ET-D3LEW60, +68–78% with ET-D75LE95, ±55% with ET-D3LEU100, ±48% with ET-D3LEW200	
	Horizontal (from center of screen)	±20% ±15% with ET-D75LE6/ET-D3LEW60, ±12% with ET-D75LE95, 0–+25% with ET-D3LEU100, ±15% with ET-D3LEW200	
Installation		Ceiling/floor, front/rear	
Compatible signal	Video/YC	fH:15.73KHz fV:59.94Hz, fH:15.63KHz fV:50Hz	
	RGB	<ul style="list-style-type: none"> <li>Resolution: 640 x 400 to 1920 x 1200</li> <li>Dot clock frequency: 162MHz or less</li> <li>PIAS (Panasonic Intelligent Auto Scanning)</li> </ul>	
	YPbPr(YCbCr)	<ul style="list-style-type: none"> <li>Resolution: 480i/576i to 1920 x 1080</li> <li>Dot clock frequency: 148.5MHz or less</li> <li>The SYNC/HD and VD terminals do not support 3 value SYNC.</li> </ul>	
	DVI-D	<ul style="list-style-type: none"> <li>Moving image signal resolution: 480i*6/576i*6 to 1920 x 1080</li> <li>Still image signal resolution: 640 x 400 to 1920 x 1200 (non-interlace)</li> <li>Dot clock frequency: 25 MHz to 162 MHz</li> </ul>	
	HDMI	<ul style="list-style-type: none"> <li>Moving image signal resolution: 480i*6/576i*6 to 1920 x 1080</li> <li>Still image signal resolution: 640 x 400 to 1920 x 1200 (non-interlace)</li> <li>Dot clock frequency: 25 MHz to 162 MHz</li> </ul>	
	DIGITAL LINK	<ul style="list-style-type: none"> <li>Moving image signal resolution: 480i*6/576i*6 to 1920 x 1080</li> <li>Still image signal resolution: 640 x 400 to 1920 x 1200 (non-interlace)</li> <li>Dot clock frequency: 25 MHz to 162 MHz</li> </ul>	
	SDI	SD-SDI signal HD-SDI signal 3G-SDI signal	

Terminals	RGB 1 IN	BNC x 5	
		RGB	0.7 V [p-p] 75 Ω (SYNC ON GREEN: 1.0 V [p-p] 75 Ω) SYNC/HD TTL high impedance, automatic positive/negative polarity compatible VD TTL high impedance, automatic positive/negative polarity compatible
		YP <sub>B</sub> PR (YC <sub>B</sub> C <sub>R</sub> )	Y: 1.0 V [p-p] including synchronization signal, P <sub>B</sub> P <sub>R</sub> : 0.7 V [p-p] 75 Ω
		Y/C	Y: 1.0 V [p-p], C: 0.286 V [p-p] 75 Ω
		VIDEO	1.0 V [p-p] 75 Ω
	RGB 2 IN	D-sub HD 15-pin (female) x 1	
		RGB	0.7 V [p-p] 75 Ω (SYNC ON GREEN: 1.0 V [p-p] 75 Ω) SYNC/HD TTL high impedance, automatic positive/negative polarity compatible VD TTL high impedance, automatic positive/negative polarity compatible
		YP <sub>B</sub> PR (YC <sub>B</sub> C <sub>R</sub> )	Y: 1.0 V [p-p] including synchronization signal, P <sub>B</sub> P <sub>R</sub> : 0.7 V [p-p] 75 Ω
	DVI-D IN	DVI-D 24-pin x 1 Single link, DVI 1.0 compliant, HDCP compatible	
	HDMI IN	HDMI 19-pin x 1 HDCP compatible, Deep Color compatible	
	SDI IN 1	BNC x 1	
		Single link SD-SDI signal	SMPTE ST 259 compliant
		Single link HD-SDI signal	SMPTE ST 292 compliant
		Single link 3G-SDI signal	SMPTE ST 424, 425-2 compliant
	Dual link HD-SDI signal (Link A signal)	SMPTE ST 372 compliant	
	Dual link 3G-SDI signal (Link 1 signal)	SMPTE ST 425-3 compliant	
SDI IN 2	BNC x 1		
	Single link SD-SDI signal	SMPTE ST 259 compliant	
	Single link HD-SDI signal	SMPTE ST 292 compliant	
	Single link 3G-SDI signal	SMPTE ST 424, 425-2 compliant	
	Dual link HD-SDI signal (Link B signal)	SMPTE ST 372 compliant	
	Dual link 3G-SDI signal (Link 2 signal)	SMPTE ST 425-3 compliant	
MULTI PROJECTOR SYNC IN/ 3D SYNC 1 IN/ OUT	BNC x 1 TTL high impedance When [3D SYNC MODE] is set to output, TTL output: Maximum 10 mA		
MULTI PROJECTOR SYNC OUT/ 3D SYNC 2 OUT	BNC x 1 TTL output: Maximum 10 mA		
SERIAL IN/SERIAL OUT	D-Sub 9 p x 1 RS-232C compliant, for computer control		
REMOTE 1 IN/REMOTE 1 OUT	M3 stereo mini jack x 1 for remote control (wired)/ for projector connection control		
REMOTE 2 IN	D-Sub 9 p x 1 for contact control		
DIGITAL LINK/LAN	RJ-45 x 1 for network and DIGITAL LINK connections (HDBaseT™ compliant), PLink (class 2) compatible, 100Base-TX, Art-Net compatible, HDCP compatible, Deep Color compatible		
DC OUT 1/DC OUT 2	USB connector (type A) x 2 for power supply only (DC 5 V, Max 2 A)		
Cabinet materials	Molded plastic		
Dimension (W x H x D)	598 x 270 x 725 mm [23-17/32 x 10-5/8 x 28-17/32] (not including protruding parts)		
Weight*7	Approx. 49.0 kg [108.0 lbs.]		
Operating noise	42 dB		
Laser Classification	Laser Class	USA and Canada: Class 3R (IEC 60825-1:2007) Other countries or regions: Class 1 (IEC/EN 60825-1:2014)	
	Risk Group	Risk Group 3 (IEC 62471-5:2015)	
Operating environment	Operating temperature*8*9*10	0-50 °C [32-122 °F]	
	Operating humidity	10-80 % (no condensation)	

Remote control unit

Power supply	DC 3 V (AA/R6/LR6 battery x 2)
Operation range	approx. 30 m [98 ft 5 in] (when operated directly in front of signal receiver)
Dimensions (W x H x D)	47.5 x 181.5 x 27.5 mm [1-7/8 x 7-5/32 x 1-3/32 in]
Weight	Approx. 150 g [5.3 ozs.] (including batteries)

**Supplied accessories**

Power cord with secure lock x 2, Wireless/wired remote control unit x 1, Batteries for remote control (AA/R6/LR6 x 2), Lens hole cover x 1, Lens drop-prevention screw (x 1)

**Optional accessories**

Lens	Zoom lens	ET-D3LEW200 (0.645-0.850:1)
		ET-D3LEW60/ET-D75LE6 (0.924-1.10:1)
		ET-D3LEW10 (1.26-1.72:1)
		ET-D75LE10 (1.30-1.67:1)
		ET-D3LES20/ET-D75LE20 (1.67-2.41:1)
		ET-D3LET30/ET-D75LE30 (2.40-4.66:1)
		ET-D3LET40 (4.61-7.41:1)
		ET-D75LE40 (4.62-7.38:1)
	ET-D3LET80/ET-D75LE8 (7.34-13.8:1)	
	Fixed-Focus Lens	ET-D3LEU100 (0.370:1)
ET-D3LEW50 (0.694:1)		
ET-D75LE95 (0.364:1)		
Fisheye Lens	ET-D3LEF70	
Stepping Motor Kit	ET-D75MKS10	
Lens Fixed Attachment	ET-PLF10/ET-PLF20	
Ceiling Mount Bracket	for High ceilings	ET-PKD520H
	for Low ceilings	ET-PKD520S
	Projector Mount Bracket	ET-PKD520B
	Frame	ET-PFD510
Geometry Manager Pro Software Upgrade Kit	ET-UK20	
Auto Screen Adjustment Upgrade Kit	ET-CUK10/ET-CUK10P	
DIGITAL LINK switcher	ET-YFB200G	
Digital Interface Box	ET-YFB100G	
Early Warning Software	ET-SWA100*	

\*The symbol at the end of the part number will vary depending on the type of license.

The Fixed-focus Lens (Model No.: ET-D75LE50, ET-D75LE90) (production discontinued) can also be used.

**Other Applications**

- Logo Transfer Software (for Windows)
- Multi Monitoring & Control Software (for Windows)
- Geometry Manager Pro (for Windows)
- Smart Projector Control (for iOS/Android™)

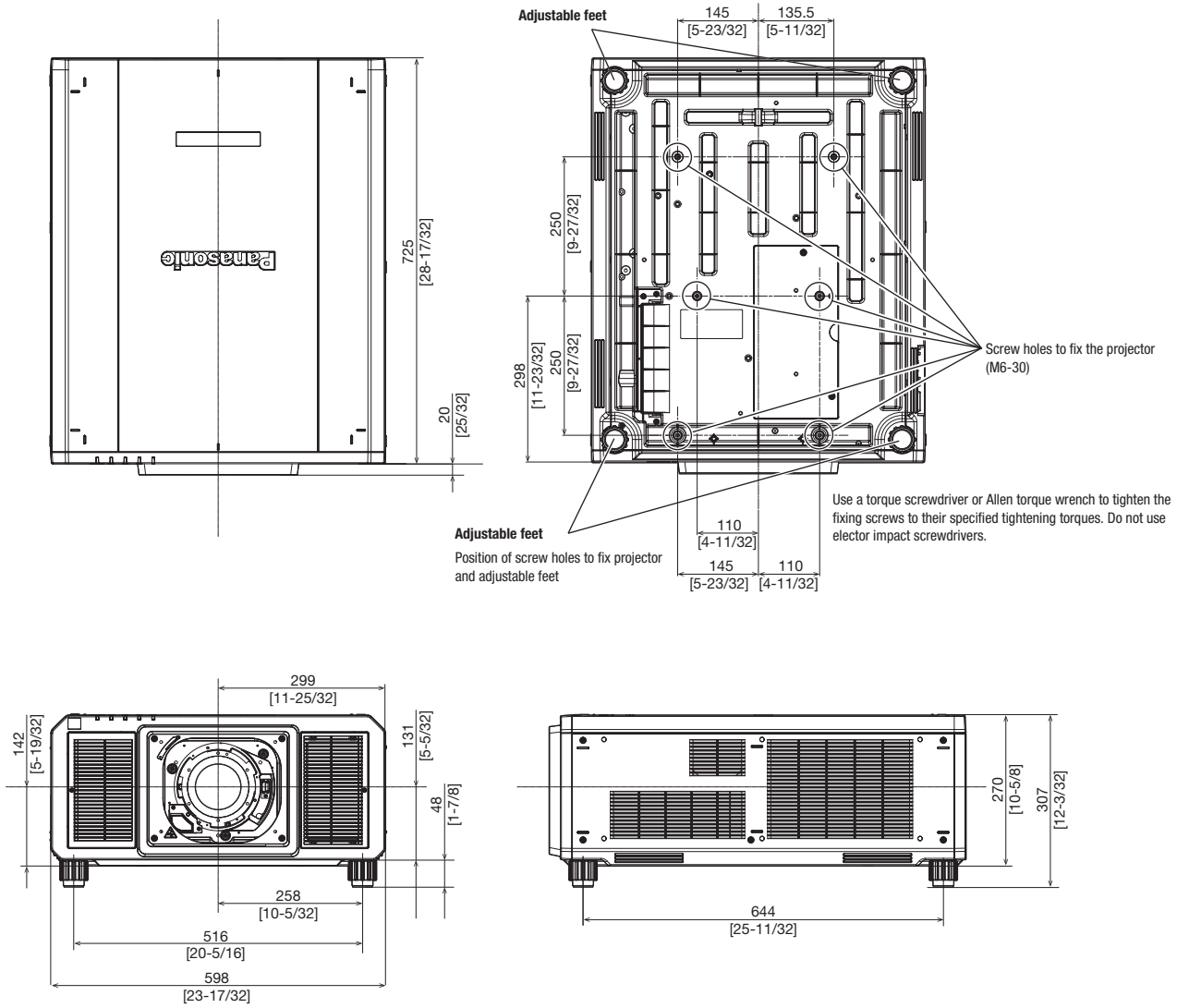
\*1 Operating Temperature: 25°C [77°F], Altitude: 700m [2,297ft], IEC627087: 2008 Broadcast contents, Picture mode: Standard, Dynamic contrast [2]  
 \*2 When a projection lens other than ET-D75LE95 is attached.  
 \*3 Average light-output value of all shipped products measured at center of screen in NORMAL Mode.  
 \*4 Measurement, measuring conditions, and method of notation all comply with ISO/IEC 21118: 2020 international standards. Value is average of all products when shipped.  
 \*5 Around this time, light output will have decreased by approximately 50%. Dynamic Contrast [3], under conditions with 35°C [95°F], 700m [2,297ft] above sea level, and 0.15mg/m³ of particulate matter. Estimated time until light output declines to 50% varies depending on environment.  
 \*6 Pixel-Repetition signal (dot clock frequency 27.0MHz) only  
 \*7 Average value. May differ depending on the actual unit.  
 \*8 The operating environment temperature should be between 0°C [32°F] and 45°C [113°F] if the projector is used at an altitude between 1400m [4593in] and 4200m [13780in] above sea level.  
 \*9 The operating environment temperature should be between 0 °C [32°F] and 40 °C [104°F] when the optional Wireless Module (Model No.: AJ-WM50 Series) is attached.  
 \*10 When the [PROJECTOR SETUP] menu → [OPERATION SETTING] → [OPERATING MODE] is set to [NORMAL] or [ECO], and the operating environment temperature exceeds the following value, the light output may be reduced to protect the projector.  
 •When using the projector at an altitude lower than 2700m [8858in] above sea level: 35°C [95°F]  
 •When using the projector at an altitude between 2700m [8858in] and 4200m [13780in] above sea level: 25°C [77°F]

**Note**

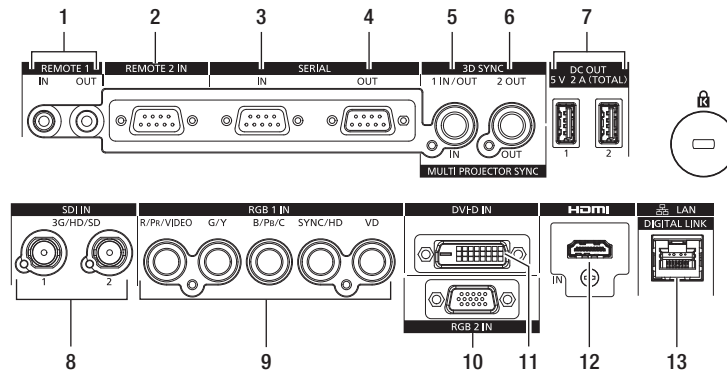
- Weights and dimensions shown are approximate. Specifications subject to change without notice.

Dimensions

unit : mm [inch]  
NOTE: This illustration is not drawn to scale.



**Terminals**

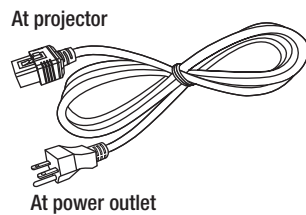


1	REMOTE 1 IN/REMOTE 1 OUT	8	SDI IN 1/<SDI IN 2> terminal
2	REMOTE 2 IN	9	RGB 1 IN
3	SERIAL IN	10	RGB 2 IN
4	SERIAL OUT	11	DVI-D IN
5	MULTI PROJECTOR SYNC IN/3D SYNC 1 IN/OUT	12	HDMI IN
6	MULTI PROJECTOR SYNC OUT/3D SYNC 2 OUT	13	DIGITAL LINK/LAN
7	DC OUT 1/DC OUT 2		

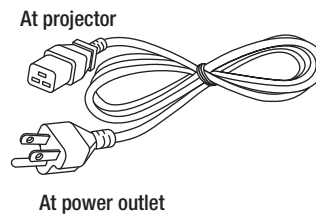
**Power cord**

This projector supports AC100 V to AC120 V, and AC 200 V to AC 240 V as the power supply. A grounding outlet supporting 15 A is required with either voltage. The shape of the usable outlet differs depending on the power supply. Following illustrations are examples.

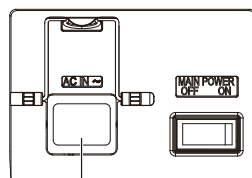
For 200V - 240V



For 110V - 120V



At projector



AC IN terminal

Power outlets that can be used



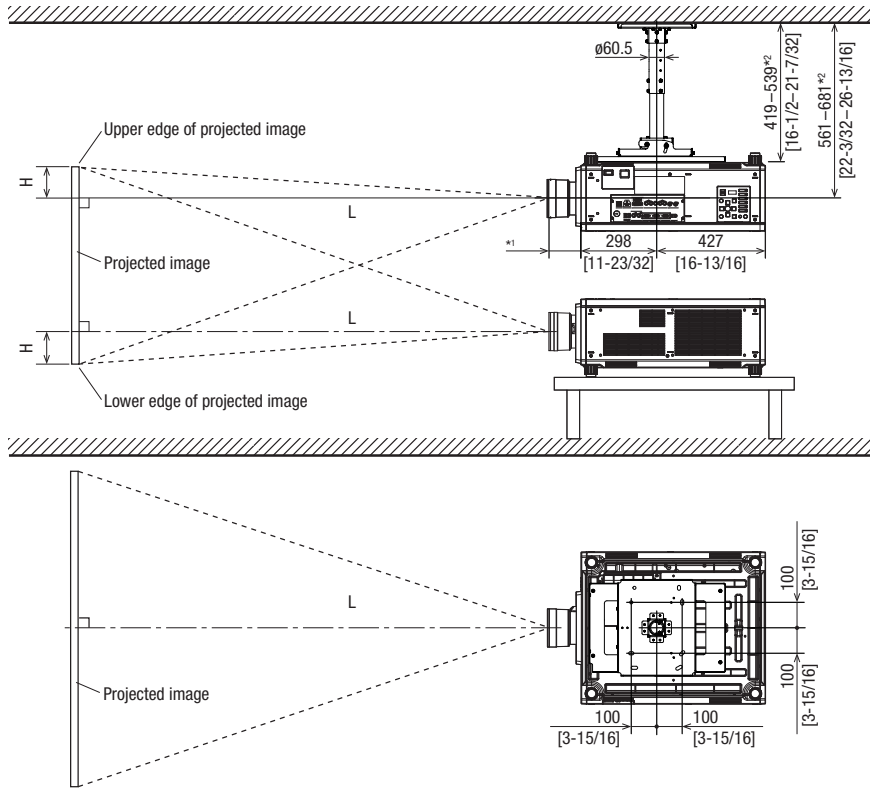
2P/3W 15 A 250 V



2P/3W 15 A 125 V

**Standard setting-up position**

Illustrations show the projector installed using optional ceiling mount bracket ET-PKD520H, optional bracket assembly ET-PKD520B and an optional lens.



unit : mm [inch]

NOTE: This illustration is not drawn to scale.

- \*1 When the lens protrudes to the maximum.
  - 210 mm [8-8/32 in] with the ET-D3LEW10
  - 125 mm [4-29/32 in] with the ET-D75LE10
  - 121 mm [4-3/4 in]
  - with the ET-D3LES20/ET-D75LE20
  - 180 mm [7-3/32 in] with the ET-D3LET30
  - 121 mm [4-3/4 in] with the ET-D75LE30
  - 130 mm [5-1/8 in] with the ET-D3LET40
  - 124 mm [4-7/8 in] with the ET-D75LE40
  - 203 mm [8 in]
  - with the ET-D3LEW50/ET-D75LE50
  - 212 mm [8-11/32 in]
  - with the ET-D3LEW60/ET-D75LE6
  - 262 mm [10-5/16 in]
  - with the ET-D3LET80/ET-D75LE8

\*2 Adjustable in 40 mm [1-9/16 in] steps.

If the ET-D75LE95 is attached, refer to the projection system dimension drawing and the projection distance table for ET-D75LE95 specifications .

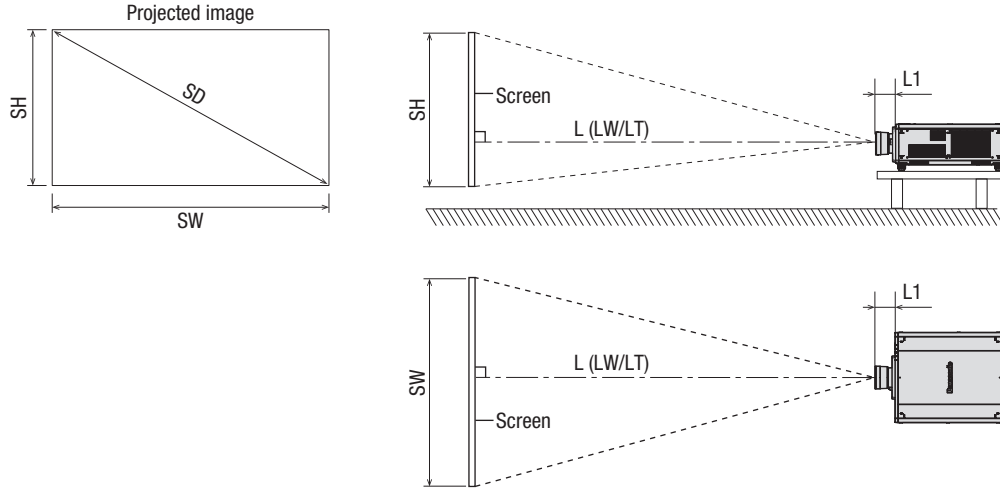
**Caution**

- All construction work should be done by a qualified technician.

**Projected image and throw distance**

Install the projector referring to the projected image size, projection distance, etc.

When the Zoom Lens (Model No.: ET-D3LEW200), the Fixed-focus Lens (Model No.: ET-D3LEU100,ET-D75LE95, ET-D75LE90), or the Fisheye Lens (Model No.: ET-D3LEF70) is used, the projection relation between the screen and the projector differs from that of other lenses.



**Note**

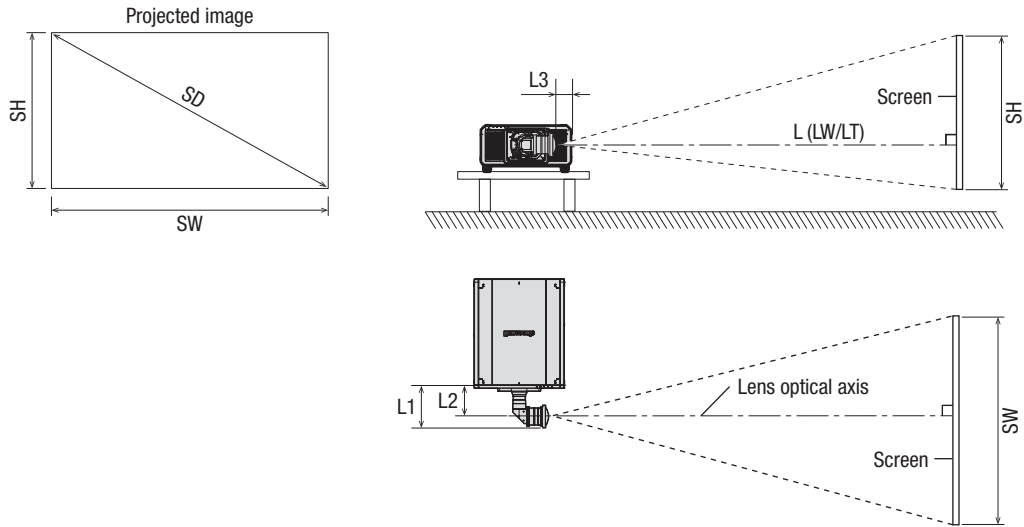
- This illustration is prepared on the assumption that the projected image size and position have been aligned to fit full in the screen.
- This illustration is not in accurate scale.
- The values are approximate.

SH	Projected image height	
SW	Projected image width	
SD	Projected image size	
L	Projection distance (distance from the front end of the projection lens to the screen)	
	LW	Minimum projection distance when the Zoom Lens is used
	LT	Maximum projection distance when the Zoom Lens is used
L1	Lens protrusion dimension (distance from the front surface of the projector to the front end of the projectionlens)	

unit : m

Projection lens Model No.	Lens protrusion dimensions (L1)
ET-D3LEW10	0.210
ET-D75LE10	0.125
ET-D3LES20/ET-D75LE20	0.121
ET-D3LET30	0.180
ET-D75LE30	0.121
ET-D3LET40	0.130
ET-D75LE40	0.124
ET-D3LEW50/ET-D75LE50	0.203
ET-D3LEW60/ET-D75LE6	0.212
ET-D3LET80/ET-D75LE8	0.262

Projected image and throw distance (ET-D3LEU100, ET-D3LEW200)



**Note**

- This illustration is prepared on the assumption that the projected image size and position have been aligned to fit full in the screen.
- This illustration is not in accurate scale.
- The values are approximate.

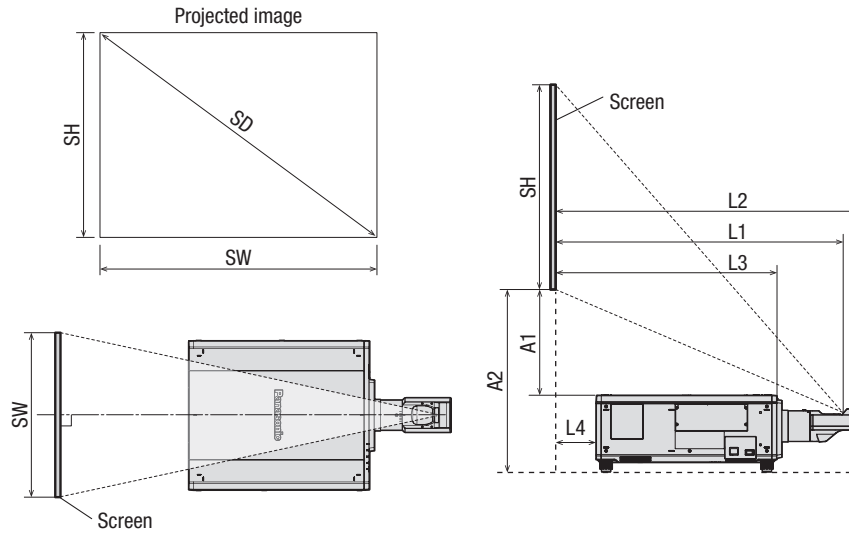
SH	Projected image height
SW	Projected image width
SD	Projected image size
L	Projection distance (distance from the front end of the projection lens to the screen)
	LW LT
L1	Lens protrusion dimension (distance from the front surface of the projector to the forward end of the projection lens)
L2	Position of the lens optical axis (distance from the front surface of the projector to the lens optical axis)
L3	Position of the lens apex (distance from the side of the projector to the lens apex)

unit : m

Projection lens Model No.	Lens protrusion dimension (L1)	Position of the lens optical axis(L2)	Position of the lens apex (L3)
ET-D3LEU100	0.29	0.21	0.10
ET-D3LEW200	0.35	0.26	0.13



Projected image and throw distance (ET-D75LE95, ET-D75LE90)



Note

- This illustration is prepared on the assumption that the projected image size and position have been aligned to fit full in the screen.
- This illustration is not in accurate scale.
- The values are approximate.

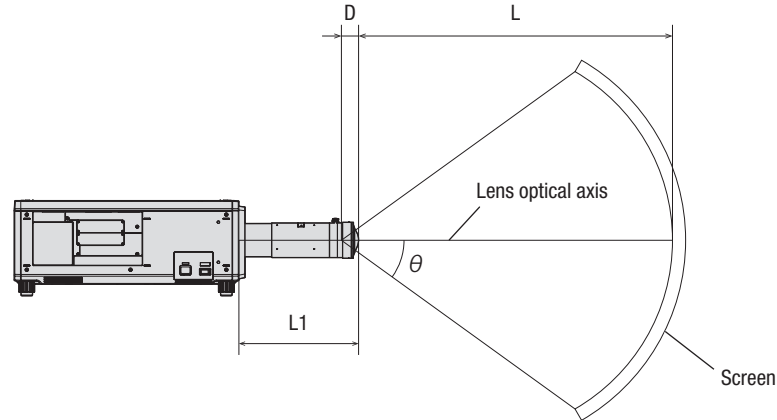
SH	Projected image height
SW	Projected image width
SD	Projected image size
L1	Projection distance (distance from the mirror reflection surface*1 to the screen)
L2	Distance from the front end of the projection lens to the screen
L3	Distance from the front surface of the projector to the screen
L4	Distance from the back surface of the projector to the screen
A1	Distance from the top surface of the projector to the bottom edge of the screen
A2	Distance from the installation surface of the projector to the screen (adjustable feet at lowest position)

\*1 The mirror reflection surface cannot be seen from the outside, because it is located inside the Fixed-focus Lens.

unit : m

Distance from the projector to the screen	Formula	
	ET-D75LE95	ET-D75LE90
L2	= L1 + 0.029	= L1 + 0.029
L3	= L1 - 0.292	= L1 - 0.277
L4	= L1 - 1.017	= L1 - 1.002
A2	= A1 + 0.324	= A1 + 0.324

Projection relationship diagram (ET-D3LEF70)



**Note**

- This illustration is prepared on the assumption that the projected image size and position have been aligned to fit full in the screen.
- This illustration is not in accurate scale.
- The values are approximate.

L	Projection distance (distance from the front end of the projection lens to the screen surface)
L1	Lens protrusion dimension (distance from the front surface of the projector to the front end of the projection lens)
$\theta$	Projection angle of view (angle from the lens optical axis)
D	Exit pupil position

unit : m

Projection distance (L) range (m)	2 - ∞
L1 dimension	0.385
Exit pupil position (D) formula	$= -10^{-6} \times \theta^{-3} - 3 \times 10^{-7} \times \theta^{-2} - 1.73 \times 10^{-5} \times \theta + 0.02342$

Projected angle ( $\theta$ ) (degrees)	Exit pupil position (D) (m)*
10	0.0232
20	0.0229
30	0.0224
40	0.0216
50	0.0206
60	0.0191
70	0.0173
80	0.0150
91.6	0.0116

\* There may be slight discrepancies in the exit pupil positions.

**Projection distance**

The value for L (distance to screen) varies slightly within ±5% depending on the zoom lens characteristics.  
When vertical keystone correction is used, the image is corrected in the direction that reduces its projected size.

**Screen aspect ratio 16:10**

Unit: meters

Lens type			Zoom lens																	
Projection lens Model No.			ET-D3LEW200*1		ET-D3LEW60/ ET-D75LE6		ET-D3LEW10		ET-D75LE10		ET-D3LES20/ ET-D75LE20		ET-D3LET30		ET-D75LE30		ET-D3LET40		ET-D75LE40	
Throw ratio*2			0.645-0.850:1		0.924-1.10:1		1.26-1.72:1		1.30-1.67:1		1.67-2.41:1		2.40-4.66:1		2.40-4.66:1		4.61-7.41:1		4.62-7.38:1	
Projection screen size			Projection distance (L)																	
Diagonal (SD)	Height (SH)	Width (SW)	min. (LW)	max. (LT)	min. (LW)	max. (LT)	min. (LW)	max. (LT)	min. (LW)	max. (LT)	min. (LW)	max. (LT)	min. (LW)	max. (LT)	min. (LW)	max. (LT)	min. (LW)	max. (LT)	min. (LW)	max. (LT)
1.78 / 70	0.942	1.508	-	-	1.36	1.63	1.85	2.54	1.90	2.46	2.46	3.58	3.54	6.94	3.56	6.94	6.86	11.08	6.87	11.04
2.03 / 80	1.077	1.723	-	-	1.56	1.87	2.13	2.92	2.19	2.83	2.82	4.11	4.06	7.96	4.08	7.96	7.86	12.68	7.88	12.65
2.29 / 90	1.212	1.939	-	-	1.77	2.11	2.40	3.30	2.47	3.20	3.19	4.64	4.59	8.97	4.61	8.98	8.86	14.29	8.88	14.25
2.54 / 100	1.346	2.154	-	-	1.97	2.35	2.68	3.68	2.76	3.56	3.55	5.17	5.11	9.99	5.13	9.99	9.87	15.90	9.88	15.85
3.05 / 120	1.615	2.585	-	-	2.38	2.84	3.23	4.43	3.32	4.30	4.28	6.22	6.16	12.03	6.18	12.03	11.87	19.12	11.89	19.05
3.81 / 150	2.019	3.231	-	-	2.98	3.57	4.06	5.57	4.18	5.40	5.37	7.81	7.73	15.08	7.75	15.08	14.88	23.94	14.90	23.85
5.08 / 200	2.692	4.308	2.78	3.66	4.00	4.78	5.44	7.45	5.60	7.24	7.19	10.45	10.34	20.17	10.38	20.16	19.90	31.99	19.92	31.86
6.35 / 250	3.365	5.385	3.50	4.61	5.01	6.00	6.83	9.34	7.02	9.07	9.00	13.09	12.96	25.26	13.00	25.25	24.92	40.03	24.95	39.86
7.62 / 300	4.039	6.462	4.22	5.55	6.02	7.21	8.21	11.23	8.44	10.91	10.82	15.73	15.58	30.35	15.62	30.34	29.93	48.07	29.97	47.87
8.89 / 350	4.712	7.539	4.94	6.49	7.04	8.42	9.59	13.12	9.86	12.74	12.64	18.37	18.20	35.45	18.24	35.42	34.95	56.12	34.99	55.87
10.16 / 400	5.385	8.616	5.66	7.44	8.05	9.64	10.97	15.01	11.28	14.58	14.46	21.01	20.81	40.54	20.86	40.51	39.97	64.16	40.01	63.87
12.70 / 500	6.731	10.770	7.09	9.32	10.08	12.07	13.74	18.79	14.12	18.25	18.09	26.29	26.05	50.72	26.11	50.68	50.00	80.24	50.05	79.88
15.24 / 600	8.077	12.923	8.53	11.21	12.10	14.49	16.50	22.57	16.96	21.92	21.73	31.58	31.28	60.90	31.35	60.85	60.03	96.33	60.09	95.89
17.78 / 700	9.423	15.077	-	-	14.13	16.92	19.27	26.35	19.80	25.60	25.36	36.86	36.52	71.08	36.60	71.02	70.07	112.42	70.13	111.90
20.32 / 800	10.770	17.231	-	-	16.16	19.35	22.03	30.13	22.64	29.27	29.00	42.14	41.75	81.26	41.84	81.19	80.10	128.50	80.17	127.91
22.86 / 900	12.116	19.385	-	-	18.18	21.78	24.80	33.90	25.48	32.94	32.63	47.42	46.99	91.44	47.09	91.36	90.14	144.59	90.21	143.92
25.40 / 1000	13.462	21.539	-	-	20.21	24.21	27.56	37.68	28.33	36.61	36.27	52.70	52.22	101.62	52.33	101.53	100.17	160.67	100.25	159.93

Unit: meters

Lens type			Zoom lens		Fixed-Focus Lens							
Projection lens Model No.			ET-D3LET80/ ET-D75LE8		ET-D3LEU100*1		ET-D3LEW50/ ET-D75LE50		ET-D75LE95*1		ET-D75LE90*1	
Throw ratio*2			7.34-13.8:1		0.370:1		0.694:1		0.364:1		0.364:1	
Projection screen size			Projection distance (L)				Projection distance (L1)	Distance between the projector and the screen		Projection distance (L1)	Distance between the projector and the screen	
Diagonal (SD)	Height (SH)	Width (SW)	min. (LW)	max. (LT)	Fixed	Fixed		(L4)	(A1)		(L4)	(A1)
1.78 / 70	0.942	1.508	10.85	20.69	-	1.01	-	-	-	-	-	-
2.03 / 80	1.077	1.723	12.45	23.70	-	1.16	-	-	-	-	-	-
2.29 / 90	1.212	1.939	14.06	26.71	-	1.32	-	-	-	-	-	-
2.54 / 100	1.346	2.154	15.66	29.71	-	1.47	-	-	-	-	-	-
3.05 / 120	1.615	2.585	18.88	35.73	-	1.78	0.94	-0.07	0.17-0.33	0.94	-0.06	0.24-0.33
3.81 / 150	2.019	3.231	23.69	44.75	-	2.24	1.18	0.16	0.24-0.44	1.18	0.17	0.33-0.44
5.08 / 200	2.692	4.308	31.72	59.79	1.59	3.01	1.56	0.54	0.37-0.63	1.56	0.56	0.49-0.63
6.35 / 250	3.365	5.385	39.74	74.82	2.01	3.78	1.95	0.93	0.49-0.82	1.95	0.94	0.64-0.82
7.62 / 300	4.039	6.462	47.77	89.86	2.42	4.56	2.33	1.31	0.62-1.02	2.33	1.33	0.80-1.01
8.89 / 350	4.712	7.539	55.79	104.90	2.84	5.33	2.72	1.70	0.74-1.21	2.72	1.71	0.95-1.21
10.16 / 400	5.385	8.616	63.82	119.94	3.25	6.10	3.10	2.08	0.86-1.40	3.10	2.10	1.11-1.40
12.70 / 500	6.731	10.770	79.87	150.01	4.08	7.64	3.87	2.85	1.11-1.78	3.87	2.87	1.41-1.78
15.24 / 600	8.077	12.923	95.92	180.08	4.91	9.18	4.64	3.62	1.36-2.16	4.64	3.64	1.72-2.16
17.78 / 700	9.423	15.077	111.97	-	-	10.72	-	-	-	-	-	-
20.32 / 800	10.770	17.231	128.02	-	-	12.27	-	-	-	-	-	-
22.86 / 900	12.116	19.385	144.07	-	-	13.81	-	-	-	-	-	-
25.40 / 1000	13.462	21.539	160.13	-	-	15.35	-	-	-	-	-	-

\*1 When the Zoom Lens (Model No.: ET-D3LEW200), the Fixed-focus Lens (Model No.: ET-D3LEU100, ET-D75LE95, ET-D75LE90), or the Fisheye Lens (Model No.: ET-D3LEF70) is used, the projection relation between the screen and the projector differs from that of other lenses.

\*2 The throw ratio is based on the value during projection with the projected image size of 3.81 m (150 in).

Screen aspect ratio 16:10

Unit: feet

Lens type			Zoom lens																	
Projection lens Model No.			ET-D3LEW200*1	ET-D3LEW60/ ET-D75LE6		ET-D3LEW10		ET-D75LE10		ET-D3LES20/ ET-D75LE20		ET-D3LET30		ET-D75LE30		ET-D3LET40		ET-D75LE40		
Throw ratio*2			0.645-0.850:1	0.924-1.10:1		1.26-1.72:1		1.30-1.67:1		1.67-2.41:1		2.40-4.66:1		2.40-4.66:1		4.61-7.41:1		4.62-7.38:1		
Projection screen size			Projection distance (L)																	
Diagonal (SD)	Height (SH)	Width (SW)	min. (LW)	max. (LT)	min. (LW)	max. (LT)	min. (LW)	max. (LT)	min. (LW)	max. (LT)	min. (LW)	max. (LT)	min. (LW)	max. (LT)	min. (LW)	max. (LT)	min. (LW)	max. (LT)	min. (LW)	max. (LT)
1.78 / 70	0.942	1.508	-	-	4.46	5.35	6.07	8.33	6.23	8.07	8.07	11.75	11.61	22.77	11.68	22.77	22.51	36.35	22.54	36.22
2.03 / 80	1.077	1.723	-	-	5.12	6.14	6.99	9.58	7.18	9.28	9.25	13.48	13.32	26.12	13.39	26.12	25.79	41.60	25.85	41.50
2.29 / 90	1.212	1.939	-	-	5.81	6.92	7.87	10.83	8.10	10.50	10.47	15.22	15.06	29.43	15.12	29.46	29.07	46.88	29.13	46.75
2.54 / 100	1.346	2.154	-	-	6.46	7.71	8.79	12.07	9.06	11.68	11.65	16.96	16.76	32.78	16.83	32.78	32.38	52.16	32.41	52.00
3.05 / 120	1.615	2.585	-	-	7.81	9.32	10.60	14.53	10.89	14.11	14.04	20.41	20.21	39.47	20.28	39.47	38.94	62.73	39.01	62.50
3.81 / 150	2.019	3.231	-	-	9.78	11.71	13.32	18.27	13.71	17.72	17.62	25.62	25.36	49.47	25.43	49.47	48.82	78.54	48.88	78.25
5.08 / 200	2.692	4.308	9.12	12.01	13.12	15.68	17.85	24.44	18.37	23.75	23.59	34.28	33.92	66.17	34.05	66.14	65.29	104.95	65.35	104.53
6.35 / 250	3.365	5.385	11.48	15.12	16.44	19.68	22.41	30.64	23.03	29.76	29.53	42.95	42.52	82.87	42.65	82.84	81.76	131.33	81.86	130.77
7.62 / 300	4.039	6.462	13.84	18.21	19.75	23.65	26.94	36.84	27.69	35.79	35.50	51.61	51.11	99.57	51.25	99.54	98.19	157.71	98.33	157.05
8.89 / 350	4.712	7.539	16.21	21.29	23.10	27.62	31.46	43.04	32.35	41.80	41.47	60.27	59.71	116.30	59.84	116.21	114.66	184.12	114.80	183.30
10.16 / 400	5.385	8.616	18.57	24.41	26.41	31.63	35.99	49.24	37.01	47.83	47.44	68.93	68.27	133.00	68.44	132.91	131.13	210.50	131.26	209.54
12.70 / 500	6.731	10.770	23.26	30.58	33.07	39.60	45.08	61.65	46.32	59.87	59.35	86.25	85.46	166.40	85.66	166.27	164.04	263.25	164.20	262.07
15.24 / 600	8.077	12.923	27.99	36.78	39.70	47.54	54.13	74.05	55.64	71.92	71.29	103.61	102.62	199.80	102.85	199.64	196.95	316.04	197.14	314.60
17.78 / 700	9.423	15.077	-	-	46.36	55.51	63.22	86.45	64.96	83.99	83.20	120.93	119.81	233.20	120.08	233.00	229.89	368.83	230.08	367.12
20.32 / 800	10.770	17.231	-	-	53.02	63.48	72.28	98.85	74.28	96.03	95.14	138.25	136.97	266.60	137.27	266.37	262.79	421.58	263.02	419.65
22.86 / 900	12.116	19.385	-	-	59.64	71.46	81.36	111.22	83.59	108.07	107.05	155.58	154.16	300.00	154.49	299.73	295.73	474.37	295.96	472.17
25.40 / 1000	13.462	21.539	-	-	66.30	79.43	90.42	123.62	92.95	120.11	118.99	172.90	171.32	333.39	171.68	333.10	328.64	527.13	328.90	524.70

Unit: feet

Lens type			Zoom lens		Fixed-Focus Lens							
Projection lens Model No.			ET-D3LET80/ ET-D75LE8		ET-D3LEU100*1		ET-D3LEW50/ ET-D75LE50		ET-D75LE95*1		ET-D75LE90*1	
Throw ratio*2			7.34-13.8:1		0.370:1		0.694:1		0.364:1		0.364:1	
Projection screen size			Projection distance (L)				Projection distance (L1)	Distance between the projector and the screen		Projection distance (L1)	Distance between the projector and the screen	
Diagonal (SD)	Height (SH)	Width (SW)	min. (LW)	max. (LT)	Fixed	Fixed		(L4)	(A1)		(L4)	(A1)
1.78 / 70	0.942	1.508	35.60	67.88	-	3.31	-	-	-	-	-	-
2.03 / 80	1.077	1.723	40.85	77.75	-	3.81	-	-	-	-	-	-
2.29 / 90	1.212	1.939	46.13	87.63	-	4.33	-	-	-	-	-	-
2.54 / 100	1.346	2.154	51.38	97.47	-	4.82	-	-	-	-	-	-
3.05 / 120	1.615	2.585	61.94	117.22	-	5.84	3.08	-0.23	0.56-1.08	3.08	-0.20	0.79-1.08
3.81 / 150	2.019	3.231	77.72	146.82	-	7.35	3.87	0.52	0.79-1.44	3.87	0.56	1.08-1.44
5.08 / 200	2.692	4.308	104.07	196.16	5.22	9.88	5.12	1.77	1.21-2.07	5.12	1.84	1.61-2.07
6.35 / 250	3.365	5.385	130.38	245.47	6.59	12.40	6.40	3.05	1.61-2.69	6.40	3.08	2.10-2.69
7.62 / 300	4.039	6.462	156.72	294.81	7.94	14.96	7.64	4.30	2.03-3.35	7.64	4.36	2.62-3.31
8.89 / 350	4.712	7.539	183.04	344.16	9.32	17.49	8.92	5.58	2.43-3.97	8.92	5.61	3.12-3.97
10.16 / 400	5.385	8.616	209.38	393.50	10.66	20.01	10.17	6.82	2.82-4.59	10.17	6.89	3.64-4.59
12.70 / 500	6.731	10.770	262.04	492.15	13.39	25.07	12.70	9.35	3.64-5.84	12.70	9.42	4.63-5.84
15.24 / 600	8.077	12.923	314.69	590.81	16.11	30.12	15.22	11.88	4.46-7.09	15.22	11.94	5.64-7.09
17.78 / 700	9.423	15.077	367.35	-	-	35.17	-	-	-	-	-	-
20.32 / 800	10.770	17.231	420.01	-	-	40.26	-	-	-	-	-	-
22.86 / 900	12.116	19.385	472.66	-	-	45.31	-	-	-	-	-	-
25.40 / 1000	13.462	21.539	525.35	-	-	50.36	-	-	-	-	-	-

\*1 When the Zoom Lens (Model No.: ET-D3LEW200), the Fixed-focus Lens (Model No.: ET-D3LEU100, ET-D75LE95, ET-D75LE90), or the Fisheye Lens (Model No.: ET-D3LEF70) is used, the projection relation between the screen and the projector differs from that of other lenses.

\*2 The throw ratio is based on the value during projection with the projected image size of 3.81m (150 in).

Screen aspect ratio 16:9

Unit: meters

Lens type			Zoom lens																	
Projection lens Model No.			ET-D3LEW200*1		ET-D3LEW60/ ET-D75LE6		ET-D3LEW10		ET-D75LE10		ET-D3LES20/ ET-D75LE20		ET-D3LET30		ET-D75LE30		ET-D3LET40		ET-D75LE40	
Throw ratio*2			0.646-0.851:1		0.924-1.10:1		1.26-1.72:1		1.30-1.67:1		1.67-2.41:1		2.40-4.66:1		2.41-4.66:1		4.61-7.41:1		4.62-7.38:1	
Projection screen size			Projection distance (L)																	
Diagonal (SD)	Height (SH)	Width (SW)	min. (LW)	max. (LT)	min. (LW)	max. (LT)	min. (LW)	max. (LT)	min. (LW)	max. (LT)	min. (LW)	max. (LT)	min. (LW)	max. (LT)	min. (LW)	max. (LT)	min. (LW)	max. (LT)	min. (LW)	max. (LT)
1.78 / 70	0.872	1.550	-	-	1.40	1.67	1.90	2.62	1.96	2.53	2.53	3.68	3.64	7.14	3.66	7.14	7.05	11.39	7.07	11.36
2.03 / 80	0.996	1.771	-	-	1.61	1.92	2.19	3.00	2.25	2.91	2.91	4.23	4.18	8.18	4.20	8.19	8.08	13.04	8.10	13.00
2.29 / 90	1.121	1.992	-	-	1.82	2.17	2.47	3.39	2.54	3.29	3.28	4.77	4.72	9.23	4.74	9.23	9.11	14.70	9.13	14.65
2.54 / 100	1.245	2.214	-	-	2.03	2.42	2.76	3.78	2.83	3.67	3.65	5.31	5.25	10.28	5.28	10.28	10.15	16.35	10.16	16.29
3.05 / 120	1.494	2.657	-	-	2.44	2.92	3.32	4.56	3.42	4.42	4.40	6.40	6.33	12.37	6.35	12.37	12.21	19.66	12.23	19.58
3.81 / 150	1.868	3.321	-	-	3.07	3.67	4.18	5.72	4.29	5.55	5.52	8.03	7.94	15.51	7.97	15.50	15.30	24.61	15.32	24.52
5.08 / 200	2.491	4.428	2.86	3.77	4.11	4.92	5.60	7.66	5.75	7.44	7.39	10.74	10.63	20.74	10.67	20.73	20.46	32.88	20.48	32.75
6.35 / 250	3.113	5.535	3.60	4.74	5.15	6.17	7.02	9.61	7.21	9.33	9.26	13.46	13.32	25.97	13.36	25.96	25.61	41.15	25.64	40.97
7.62 / 300	3.736	6.641	4.34	5.71	6.19	7.41	8.44	11.55	8.67	11.21	11.13	16.17	16.01	31.20	16.06	31.18	30.77	49.41	30.80	49.20
8.89 / 350	4.358	7.748	5.08	6.68	7.23	8.66	9.86	13.49	10.13	13.10	12.99	18.88	18.70	36.44	18.75	36.41	35.93	57.68	35.96	57.43
10.16 / 400	4.981	8.855	5.82	7.65	8.28	9.91	11.28	15.43	11.59	14.99	14.86	21.60	21.39	41.67	21.45	41.64	41.08	65.95	41.12	65.65
12.70 / 500	6.226	11.069	7.29	9.58	10.36	12.40	14.12	19.32	14.51	18.76	18.60	27.03	26.77	52.13	26.84	52.09	51.40	82.48	51.44	82.11
15.24 / 600	7.472	13.283	8.77	11.52	12.44	14.90	16.96	23.20	17.44	22.54	22.33	32.46	32.15	62.60	32.23	62.54	61.71	99.01	61.76	98.56
17.78 / 700	8.717	15.497	-	-	14.52	17.39	19.81	27.08	20.36	26.31	26.07	37.89	37.53	73.06	37.62	73.00	72.02	115.55	72.08	115.02
20.32 / 800	9.962	17.710	-	-	16.61	19.89	22.65	30.97	23.28	30.09	29.81	43.31	42.92	83.53	43.01	83.45	82.33	132.08	82.41	131.47
22.86 / 900	11.207	19.924	-	-	18.69	22.39	25.49	34.85	26.20	33.86	33.54	48.74	48.30	93.99	48.40	93.90	92.65	148.61	92.73	147.92
25.40 / 1000	12.453	22.138	-	-	20.77	24.88	28.33	38.73	29.12	37.63	37.28	54.17	53.68	104.45	53.79	104.36	102.96	165.15	103.05	164.38

Unit: meters

Lens type			Zoom lens		Fixed-Focus Lens							
Projection lens Model No.			ET-D3LET80/ ET-D75LE8		ET-D3LEU100*1		ET-D3LEW50/ ET-D75LE50		ET-D75LE95*1		ET-D75LE90*1	
Throw ratio*2			7.34-13.8:1		0.370:1		0.695:1		0.364:1		0.364:1	
Projection screen size			Projection distance (L)				Projection distance (L1)	Distance between the projector and the screen		Projection distance (L1)	Distance between the projector and the screen	
Diagonal (SD)	Height (SH)	Width (SW)	min. (LW)	max. (LT)	Fixed	Fixed		(L4)	(A1)		(L4)	(A1)
1.78 / 70	0.872	1.550	11.16	21.28	-	1.04	-	-	-	-	-	-
2.03 / 80	0.996	1.771	12.81	24.37	-	1.20	-	-	-	-	-	-
2.29 / 90	1.121	1.992	14.46	27.46	-	1.36	-	-	-	-	-	-
2.54 / 100	1.245	2.214	16.11	30.55	-	1.51	-	-	-	-	-	-
3.05 / 120	1.494	2.657	19.41	36.73	-	1.83	0.97	-0.05	0.18-0.43	0.97	-0.03	0.25-0.42
3.81 / 150	1.868	3.321	24.36	46.00	-	2.31	1.21	0.19	0.26-0.56	1.21	0.20	0.35-0.56
5.08 / 200	2.491	4.428	32.61	61.46	1.64	3.10	1.60	0.59	0.38-0.79	1.60	0.60	0.50-0.79
6.35 / 250	3.113	5.535	40.86	76.91	2.06	3.89	2.00	0.98	0.51-1.02	2.00	1.00	0.66-1.02
7.62 / 300	3.736	6.641	49.11	92.37	2.49	4.68	2.39	1.38	0.64-1.25	2.39	1.39	0.82-1.25
8.89 / 350	4.358	7.748	57.35	107.82	2.92	5.48	2.79	1.77	0.77-1.49	2.79	1.79	0.98-1.48
10.16 / 400	4.981	8.855	65.60	123.28	3.34	6.27	3.19	2.17	0.89-1.72	3.19	2.18	1.14-1.71
12.70 / 500	6.226	11.069	82.10	154.19	4.19	7.85	3.98	2.96	1.15-2.18	3.98	2.97	1.45-2.18
15.24 / 600	7.472	13.283	98.60	185.10	5.05	9.44	4.77	3.75	1.40-2.64	4.77	3.77	1.77-2.64
17.78 / 700	8.717	15.497	115.10	-	-	11.02	-	-	-	-	-	-
20.32 / 800	9.962	17.710	131.59	-	-	12.61	-	-	-	-	-	-
22.86 / 900	11.207	19.924	148.09	-	-	14.19	-	-	-	-	-	-
25.40 / 1000	12.453	22.138	164.59	-	-	15.78	-	-	-	-	-	-

\*1 When the Zoom Lens (Model No.: ET-D3LEW200), the Fixed-focus Lens (Model No.: ET-D3LEU100, ET-D75LE95, ET-D75LE90), or the Fisheye Lens (Model No.: ET-D3LEF70) is used, the projection relation between the screen and the projector differs from that of other lenses.

\*2 The throw ratio is based on the value during projection with the projected image size of 3.81m (150 in).

Screen aspect ratio 16:9

Unit: feet

Lens type			Zoom lens																	
Projection lens Model No.			ET-D3LEW200*1	ET-D3LEW60/ ET-D75LE6		ET-D3LEW10		ET-D75LE10		ET-D3LES20/ ET-D75LE20		ET-D3LET30		ET-D75LE30		ET-D3LET40		ET-D75LE40		
Throw ratio*2			0.646-0.851:1	0.924-1.10:1		1.26-1.72:1		1.30-1.67:1		1.67-2.41:1		2.40-4.66:1		2.41-4.66:1		4.61-7.41:1		4.62-7.38:1		
Projection screen size			Projection distance (L)																	
Diagonal (SD)	Height (SH)	Width (SW)	min. (LW)	max. (LT)	min. (LW)	max. (LT)	min. (LW)	max. (LT)	min. (LW)	max. (LT)	min. (LW)	max. (LT)	min. (LW)	max. (LT)	min. (LW)	max. (LT)	min. (LW)	max. (LT)	min. (LW)	max. (LT)
1.78 / 70	0.872	1.550	-	-	4.59	5.48	6.23	8.60	6.43	8.30	8.30	12.07	11.94	23.42	12.01	23.42	23.13	37.37	23.20	37.27
2.03 / 80	0.996	1.771	-	-	5.28	6.30	7.18	9.84	7.38	9.55	9.55	13.88	13.71	26.84	13.78	26.87	26.51	42.78	26.57	42.65
2.29 / 90	1.121	1.992	-	-	5.97	7.12	8.10	11.12	8.33	10.79	10.76	15.65	15.49	30.28	15.55	30.28	29.89	48.23	29.95	48.06
2.54 / 100	1.245	2.214	-	-	6.66	7.94	9.06	12.40	9.28	12.04	11.97	17.42	17.22	33.73	17.32	33.73	33.30	53.64	33.33	53.44
3.05 / 120	1.494	2.657	-	-	8.01	9.58	10.89	14.96	11.22	14.50	14.44	21.00	20.77	40.58	20.83	40.58	40.06	64.50	40.12	64.24
3.81 / 150	1.868	3.321	-	-	10.07	12.04	13.71	18.77	14.07	18.21	18.11	26.34	26.05	50.89	26.15	50.85	50.20	80.74	50.26	80.45
5.08 / 200	2.491	4.428	9.38	12.37	13.48	16.14	18.37	25.13	18.86	24.41	24.25	35.24	34.87	68.04	35.01	68.01	67.13	107.87	67.19	107.45
6.35 / 250	3.113	5.535	11.81	15.55	16.90	20.24	23.03	31.53	23.65	30.61	30.38	44.16	43.70	85.20	43.83	85.17	84.02	135.00	84.12	134.41
7.62 / 300	3.736	6.641	14.24	18.73	20.31	24.31	27.69	37.89	28.44	36.78	36.52	53.05	52.53	102.36	52.69	102.30	100.95	162.10	101.05	161.42
8.89 / 350	4.358	7.748	16.67	21.92	23.72	28.41	32.35	44.26	33.23	42.98	42.62	61.94	61.35	119.55	61.52	119.45	117.88	189.24	117.98	188.42
10.16 / 400	4.981	8.855	19.09	25.10	27.17	32.51	37.01	50.62	38.02	49.18	48.75	70.87	70.18	136.71	70.37	136.61	134.78	216.37	134.91	215.38
12.70 / 500	6.226	11.069	23.92	31.43	33.99	40.68	46.32	63.39	47.60	61.55	61.02	88.68	87.83	171.03	88.06	170.90	168.63	270.60	168.76	269.39
15.24 / 600	7.472	13.283	28.77	37.79	40.81	48.88	55.64	76.11	57.22	73.95	73.26	106.49	105.48	205.38	105.74	205.18	202.46	324.83	202.62	323.36
17.78 / 700	8.717	15.497	-	-	47.64	57.05	64.99	88.84	66.80	86.32	85.53	124.31	123.13	239.70	123.42	239.50	236.28	379.10	236.48	377.36
20.32 / 800	9.962	17.710	-	-	54.49	65.26	74.31	101.61	76.38	98.72	97.80	142.09	140.81	274.05	141.11	273.78	270.11	433.33	270.37	431.33
22.86 / 900	11.207	19.924	-	-	61.32	73.46	83.63	114.34	85.96	111.09	110.04	159.91	158.46	308.36	158.79	308.07	303.97	487.56	304.23	485.30
25.40 / 1000	12.453	22.138	-	-	68.14	81.63	92.95	127.07	95.54	123.46	122.31	177.72	176.11	342.68	176.47	342.38	337.79	541.82	338.09	539.30

Unit: feet

Lens type			Zoom lens		Fixed-Focus Lens							
Projection lens Model No.			ET-D3LET80/ ET-D75LE8		ET-D3LEU100*1		ET-D3LEW50/ ET-D75LE50		ET-D75LE95*1		ET-D75LE90*1	
Throw ratio*2			7.34-13.8:1		0.370:1		0.695:1		0.364:1		0.364:1	
Projection screen size			Projection distance (L)				Projection distance (L1)	Distance between the projector and the screen		Projection distance (L1)	Distance between the projector and the screen	
Diagonal (SD)	Height (SH)	Width (SW)	min. (LW)	max. (LT)	Fixed	Fixed		(L4)	(A1)		(L4)	(A1)
1.78 / 70	0.872	1.550	36.61	69.82	-	3.41	-	-	-	-	-	-
2.03 / 80	0.996	1.771	42.03	79.95	-	3.94	-	-	-	-	-	-
2.29 / 90	1.121	1.992	47.44	90.09	-	4.46	-	-	-	-	-	-
2.54 / 100	1.245	2.214	52.85	100.23	-	4.95	-	-	-	-	-	-
3.05 / 120	1.494	2.657	63.68	120.50	-	6.00	3.18	-0.16	0.59-1.41	3.18	-0.10	0.82-1.38
3.81 / 150	1.868	3.321	79.92	150.92	-	7.58	3.97	0.62	0.85-1.84	3.97	0.66	1.15-1.84
5.08 / 200	2.491	4.428	106.99	201.64	5.38	10.17	5.25	1.94	1.25-2.59	5.25	1.97	1.64-2.59
6.35 / 250	3.113	5.535	134.05	252.33	6.76	12.76	6.56	3.22	1.67-3.35	6.56	3.28	2.17-3.35
7.62 / 300	3.736	6.641	161.12	303.05	8.17	15.35	7.84	4.53	2.10-4.10	7.84	4.56	2.69-4.10
8.89 / 350	4.358	7.748	188.15	353.74	9.58	17.98	9.15	5.81	2.53-4.89	9.15	5.87	3.22-4.86
10.16 / 400	4.981	8.855	215.22	404.46	10.96	20.57	10.47	7.12	2.92-5.64	10.47	7.15	3.74-5.61
12.70 / 500	6.226	11.069	269.35	505.87	13.75	25.75	13.06	9.71	3.77-7.15	13.06	9.74	4.76-7.15
15.24 / 600	7.472	13.283	323.49	607.28	16.57	30.97	15.65	12.30	4.59-8.66	15.65	12.37	5.81-8.66
17.78 / 700	8.717	15.497	377.62	-	-	36.15	-	-	-	-	-	-
20.32 / 800	9.962	17.710	431.72	-	-	41.37	-	-	-	-	-	-
22.86 / 900	11.207	19.924	485.85	-	-	46.55	-	-	-	-	-	-
25.40 / 1000	12.453	22.138	539.99	-	-	51.77	-	-	-	-	-	-

\*1 When the Zoom Lens (Model No.: ET-D3LEW200), the Fixed-focus Lens (Model No.: ET-D3LEU100, ET-D75LE95, ET-D75LE90), or the Fisheye Lens (Model No.: ET-D3LEF70) is used, the projection relation between the screen and the projector differs from that of other lenses.

\*2 The throw ratio is based on the value during projection with the projected image size of 3.81m (150 in).

Screen aspect ratio 4:3

Unit: meters

Lens type			Zoom lens																	
Projection lens Model No.			ET-D3LEW200*1	ET-D3LEW60/ ET-D75LE6		ET-D3LEW10		ET-D75LE10		ET-D3LES20/ ET-D75LE20		ET-D3LET30		ET-D75LE30		ET-D3LET40		ET-D75LE40		
Throw ratio*2			0.778-1.02:1	1.12-1.32:1		1.52-2.07:1		1.56-2.01:1		2.00-2.90:1		2.88-5.61:1		2.89-5.60:1		5.54-8.90:1		5.55-8.86:1		
Projection screen size			Projection distance (L)																	
Diagonal (SD)	Height (SH)	Width (SW)	min. (LW)	max. (LT)	min. (LW)	max. (LT)	min. (LW)	max. (LT)	min. (LW)	max. (LT)	min. (LW)	max. (LT)	min. (LW)	max. (LT)	min. (LW)	max. (LT)	min. (LW)	max. (LT)	min. (LW)	max. (LT)
1.78 / 70	1.067	1.422	-	-	1.55	1.85	2.10	2.89	2.17	2.80	2.80	4.07	4.02	7.88	4.04	7.88	7.78	12.56	7.80	12.52
2.03 / 80	1.219	1.626	-	-	1.78	2.13	2.42	3.32	2.49	3.22	3.21	4.67	4.61	9.03	4.64	9.03	8.92	14.38	8.94	14.34
2.29 / 90	1.372	1.829	-	-	2.01	2.40	2.73	3.75	2.81	3.63	3.62	5.27	5.21	10.18	5.23	10.19	10.06	16.20	10.07	16.15
2.54 / 100	1.524	2.032	-	-	2.24	2.68	3.04	4.18	3.13	4.05	4.03	5.86	5.80	11.34	5.82	11.34	11.19	18.03	11.21	17.96
3.05 / 120	1.829	2.438	-	-	2.70	3.22	3.67	5.03	3.77	4.88	4.86	7.06	6.99	13.64	7.01	13.64	13.46	21.67	13.48	21.59
3.81 / 150	2.286	3.048	-	-	3.38	4.05	4.61	6.31	4.74	6.13	6.09	8.85	8.76	17.10	8.79	17.09	16.87	27.13	16.89	27.02
5.08 / 200	3.048	4.064	3.16	4.16	4.53	5.42	6.17	8.45	6.35	8.21	8.15	11.84	11.73	22.86	11.76	22.85	22.55	36.24	22.58	36.09
6.35 / 250	3.810	5.080	3.97	5.23	5.68	6.80	7.74	10.59	7.96	10.28	10.20	14.83	14.69	28.63	14.73	28.61	28.23	45.34	28.26	45.15
7.62 / 300	4.572	6.096	4.79	6.30	6.83	8.17	9.30	12.73	9.56	12.36	12.26	17.82	17.65	34.39	17.70	34.36	33.91	54.45	33.94	54.21
8.89 / 350	5.334	7.112	5.60	7.37	7.97	9.55	10.87	14.87	11.17	14.44	14.32	20.81	20.61	40.15	20.67	40.12	39.59	63.55	39.63	63.27
10.16 / 400	6.096	8.128	6.42	8.43	9.12	10.92	12.43	17.01	12.78	16.52	16.38	23.80	23.58	45.91	23.63	45.88	45.27	72.66	45.31	72.33
12.70 / 500	7.620	10.160	8.05	10.57	11.41	13.67	15.56	21.29	16.00	20.68	20.49	29.78	29.50	57.44	29.57	57.39	56.63	90.87	56.68	90.45
15.24 / 600	9.144	12.192	9.67	12.70	13.71	16.42	18.69	25.56	19.21	24.83	24.61	35.76	35.43	68.97	35.51	68.91	67.99	109.08	68.05	108.58
17.78 / 700	10.668	14.224	-	-	16.00	19.17	21.82	29.84	22.43	28.99	28.72	41.74	41.36	80.49	41.45	80.42	79.35	127.29	79.41	126.70
20.32 / 800	12.192	16.256	-	-	18.30	21.92	24.95	34.12	25.65	33.15	32.84	47.72	47.28	92.02	47.38	91.93	90.70	145.50	90.78	144.82
22.86 / 900	13.716	18.288	-	-	20.59	24.66	28.09	38.40	28.86	37.31	36.95	53.70	53.21	103.54	53.32	103.45	102.06	163.71	102.15	162.95
25.40 / 1000	15.240	20.320	-	-	22.89	27.41	31.22	42.67	32.08	41.46	41.07	59.68	59.13	115.03	59.26	114.96	113.42	181.92	113.52	181.07

Unit: meters

Lens type			Zoom lens		Fixed-Focus Lens									
Projection lens Model No.			ET-D3LET80/ ET-D75LE8		ET-D3LEU100*1		ET-D3LEW50/ ET-D75LE50		ET-D75LE95*1			ET-D75LE90*1		
Throw ratio*2			8.82-16.6:1		0.446:1		0.836:1		0.436:1			0.436:1		
Projection screen size			Projection distance (L)				Projection distance (L1)	Distance between the projector and the screen		Projection distance (L1)	Distance between the projector and the screen			
Diagonal (SD)	Height (SH)	Width (SW)	min. (LW)	max. (LT)	Fixed	Fixed		(L4)	(A1)		(L4)	(A1)		
1.78 / 70	1.067	1.422	12.33	23.47	-	1.15	-	-	-	-	-	-	-	
2.03 / 80	1.219	1.626	14.15	26.88	-	1.33	-	-	-	-	-	-	-	
2.29 / 90	1.372	1.829	15.97	30.28	-	1.50	-	-	-	-	-	-	-	
2.54 / 100	1.524	2.032	17.78	33.69	-	1.67	-	-	-	-	-	-	-	
3.05 / 120	1.829	2.438	21.42	40.50	-	2.02	1.07	0.05	0.21-0.39	1.07	0.06	0.29-0.39		
3.81 / 150	2.286	3.048	26.87	50.71	-	2.55	1.33	0.31	0.29-0.52	1.33	0.33	0.40-0.52		
5.08 / 200	3.048	4.064	35.96	67.73	1.81	3.42	1.76	0.75	0.43-0.74	1.76	0.76	0.57-0.73		
6.35 / 250	3.810	5.080	45.04	84.75	2.28	4.29	2.20	1.18	0.57-0.95	2.20	1.20	0.74-0.95		
7.62 / 300	4.572	6.096	54.13	101.78	2.75	5.17	2.64	1.62	0.71-1.17	2.64	1.63	0.92-1.17		
8.89 / 350	5.334	7.112	63.21	118.80	3.22	6.04	3.07	2.05	0.85-1.38	3.07	2.07	1.09-1.38		
10.16 / 400	6.096	8.128	72.30	135.82	3.69	6.91	3.51	2.49	0.99-1.60	3.51	2.50	1.27-1.60		
12.70 / 500	7.620	10.160	90.47	169.87	4.63	8.66	4.38	3.36	1.27-2.03	4.38	3.38	1.62-2.03		
15.24 / 600	9.144	12.192	108.64	203.91	5.56	10.40	5.25	4.23	1.55-2.46	5.25	4.25	1.97-2.46		
17.78 / 700	10.668	14.224	126.81	-	-	12.15	-	-	-	-	-	-	-	
20.32 / 800	12.192	16.256	144.98	-	-	13.90	-	-	-	-	-	-	-	
22.86 / 900	13.716	18.288	163.15	-	-	15.64	-	-	-	-	-	-	-	
25.40 / 1000	15.240	20.320	181.33	-	-	17.39	-	-	-	-	-	-	-	

\*1 When the Zoom Lens (Model No.: ET-D3LEW200), the Fixed-focus Lens (Model No.: ET-D3LEU100, ET-D75LE95, ET-D75LE90), or the Fisheye Lens (Model No.: ET-D3LEF70) is used, the projection relation between the screen and the projector differs from that of other lenses.

\*2 The throw ratio is based on the value during projection with the projected image size of 3.81m (150 in).

Screen aspect ratio 4:3

Unit: feet

Lens type			Zoom lens																	
Projection lens Model No.			ET-D3LEW200*1	ET-D3LEW60/ ET-D75LE6		ET-D3LEW10		ET-D75LE10		ET-D3LES20/ ET-D75LE20		ET-D3LET30		ET-D75LE30		ET-D3LET40		ET-D75LE40		
Throw ratio*2			0.778-1.02:1	1.12-1.32:1		1.52-2.07:1		1.56-2.01:1		2.00-2.90:1		2.88-5.61:1		2.89-5.60:1		5.54-8.90:1		5.55-8.86:1		
Projection screen size			Projection distance (L)																	
Diagonal (SD)	Height (SH)	Width (SW)	min. (LW)	max. (LT)	min. (LW)	max. (LT)	min. (LW)	max. (LT)	min. (LW)	max. (LT)	min. (LW)	max. (LT)	min. (LW)	max. (LT)	min. (LW)	max. (LT)	min. (LW)	max. (LT)	min. (LW)	max. (LT)
1.78 / 70	1.067	1.422	-	-	5.09	6.07	6.89	9.48	7.12	9.19	9.19	13.35	13.19	25.85	13.25	25.85	25.52	41.21	25.59	41.08
2.03 / 80	1.219	1.626	-	-	5.84	6.99	7.94	10.89	8.17	10.56	10.53	15.32	15.12	29.63	15.22	29.63	29.26	47.18	29.33	47.05
2.29 / 90	1.372	1.829	-	-	6.59	7.87	8.96	12.30	9.22	11.91	11.88	17.29	17.09	33.40	17.16	33.43	33.00	53.15	33.04	52.98
2.54 / 100	1.524	2.032	-	-	7.35	8.79	9.97	13.71	10.27	13.29	13.22	19.23	19.03	37.20	19.09	37.20	36.71	59.15	36.78	58.92
3.05 / 120	1.829	2.438	-	-	8.86	10.56	12.04	16.50	12.37	16.01	15.94	23.16	22.93	44.75	23.00	44.75	44.16	71.09	44.23	70.83
3.81 / 150	2.286	3.048	-	-	11.09	13.29	15.12	20.70	15.55	20.11	19.98	29.04	28.74	56.10	28.84	56.07	55.35	89.01	55.41	88.65
5.08 / 200	3.048	4.064	10.37	13.65	14.86	17.78	20.24	27.72	20.83	26.94	26.74	38.84	38.48	75.00	38.58	74.97	73.98	118.90	74.08	118.40
6.35 / 250	3.810	5.080	13.02	17.16	18.63	22.31	25.39	34.74	26.12	33.73	33.46	48.65	48.19	93.93	48.33	93.86	92.62	148.75	92.72	148.13
7.62 / 300	4.572	6.096	15.72	20.67	22.41	26.80	30.51	41.76	31.36	40.55	40.22	58.46	57.91	112.83	58.07	112.73	111.25	178.64	111.35	177.85
8.89 / 350	5.334	7.112	18.37	24.18	26.15	31.33	35.66	48.79	36.65	47.37	46.98	68.27	67.62	131.72	67.81	131.63	129.89	208.49	130.02	207.58
10.16 / 400	6.096	8.128	21.06	27.66	29.92	35.83	40.78	55.81	41.93	54.20	53.74	78.08	77.36	150.62	77.53	150.52	148.52	238.38	148.65	237.30
12.70 / 500	7.620	10.160	26.41	34.68	37.43	44.85	51.05	69.85	52.49	67.85	67.22	97.70	96.78	188.45	97.01	188.29	185.79	298.13	185.96	296.75
15.24 / 600	9.144	12.192	31.73	41.67	44.98	53.87	61.32	83.86	63.02	81.46	80.74	117.32	116.24	226.28	116.50	226.08	223.06	357.87	223.26	356.23
17.78 / 700	10.668	14.224	-	-	52.49	62.89	71.59	97.90	73.59	95.11	94.22	136.94	135.69	264.07	135.99	263.84	260.33	417.61	260.53	415.68
20.32 / 800	12.192	16.256	-	-	60.04	71.92	81.86	111.94	84.15	108.76	107.74	156.56	155.12	301.90	155.44	301.60	297.57	477.36	297.83	475.13
22.86 / 900	13.716	18.288	-	-	67.55	80.90	92.16	125.98	94.68	122.41	121.23	176.18	174.57	339.69	174.93	339.40	334.84	537.10	335.13	534.61
25.40 / 1000	15.240	20.320	-	-	75.10	89.93	102.43	139.99	105.25	136.02	134.74	195.80	193.99	377.39	194.42	377.16	372.11	596.84	372.44	594.05

Unit: feet

Lens type			Zoom lens		Fixed-Focus Lens									
Projection lens Model No.			ET-D3LET80/ ET-D75LE8		ET-D3LEU100*1		ET-D3LEW50/ ET-D75LE50		ET-D75LE95*1			ET-D75LE90*1		
Throw ratio*2			8.82-16.6:1		0.446:1		0.836:1		0.436:1			0.436:1		
Projection screen size			Projection distance (L)				Projection distance (L1)	Distance between the projector and the screen		Projection distance (L1)	Distance between the projector and the screen			
Diagonal (SD)	Height (SH)	Width (SW)	min. (LW)	max. (LT)	Fixed	Fixed		(L4)	(A1)		(L4)	(A1)		
1.78 / 70	1.067	1.422	40.45	77.00	-	3.77	-	-	-	-	-	-	-	
2.03 / 80	1.219	1.626	46.42	88.19	-	4.36	-	-	-	-	-	-	-	
2.29 / 90	1.372	1.829	52.39	99.34	-	4.92	-	-	-	-	-	-	-	
2.54 / 100	1.524	2.032	58.33	110.53	-	5.48	-	-	-	-	-	-	-	
3.05 / 120	1.829	2.438	70.27	132.87	-	6.63	3.51	0.16	0.69-1.28	3.51	0.20	0.95-1.28		
3.81 / 150	2.286	3.048	88.16	166.37	-	8.37	4.36	1.02	0.95-1.71	4.36	1.08	1.31-1.71		
5.08 / 200	3.048	4.064	117.98	222.21	5.94	11.22	5.77	2.46	1.41-2.43	5.77	2.49	1.87-2.39		
6.35 / 250	3.810	5.080	147.77	278.05	7.48	14.07	7.22	3.87	1.87-3.12	7.22	3.94	2.43-3.12		
7.62 / 300	4.572	6.096	177.59	333.92	9.02	16.96	8.66	5.31	2.33-3.84	8.66	5.35	3.02-3.84		
8.89 / 350	5.334	7.112	207.38	389.76	10.56	19.82	10.07	6.73	2.79-4.53	10.07	6.79	3.58-4.53		
10.16 / 400	6.096	8.128	237.20	445.60	12.11	22.67	11.52	8.17	3.25-5.25	11.52	8.20	4.17-5.25		
12.70 / 500	7.620	10.160	296.81	557.31	15.19	28.41	14.37	11.02	4.17-6.66	14.37	11.09	5.31-6.66		
15.24 / 600	9.144	12.192	356.43	668.99	18.24	34.12	17.22	13.88	5.09-8.07	17.22	13.94	6.46-8.07		
17.78 / 700	10.668	14.224	416.04	-	-	39.86	-	-	-	-	-	-	-	
20.32 / 800	12.192	16.256	475.65	-	-	45.60	-	-	-	-	-	-	-	
22.86 / 900	13.716	18.288	535.26	-	-	51.31	-	-	-	-	-	-	-	
25.40 / 1000	15.240	20.320	594.91	-	-	57.05	-	-	-	-	-	-	-	

\*1 When the Zoom Lens (Model No.: ET-D3LEW200), the Fixed-focus Lens (Model No.: ET-D3LEU100, ET-D75LE95, ET-D75LE90), or the Fisheye Lens (Model No.: ET-D3LEF70) is used, the projection relation between the screen and the projector differs from that of other lenses.

\*2 The throw ratio is based on the value during projection with the projected image size of 3.81m (150 in).



**Calculation of the projection distance**

To use a projected image size not listed in this manual, check the projected image size SD (m) and use the respective formula to calculate projection distance.

The unit of all the formulae is m. (Values obtained by the following calculation formulae contain a slight error.)

When calculating a projection distance using image size designation (Value in inches), multiply the value in inches by 0.0254 and substitute it into SD in the formula for calculating the projection distance.

Zoom lens

Unit: m

Projection lens Model No.	Throw ratio	Aspect ratio	Projection distance (L) calculation formula	
			Minimum (LW)	Maximum (LT)
ET-D3LEW200	0.645 - 0.850:1	16:10	= 0.5665 x SD - 0.1001	= 0.7425 x SD - 0.1076
	0.646 - 0.851:1	16:9	= 0.5823 x SD - 0.1001	= 0.7632 x SD - 0.1076
	0.778 - 1.02:1	4:3	= 0.6414 x SD - 0.1001	= 0.8406 x SD - 0.1076
ET-D3LEW60/ ET-D75LE6	0.924 - 1.10:1	16:10	= 0.7979 x SD - 0.0566	= 0.9559 x SD - 0.0736
	0.924 - 1.10:1	16:9	= 0.8201 x SD - 0.0566	= 0.9825 x SD - 0.0736
	1.12 - 1.32:1	4:3	= 0.9032 x SD - 0.0566	= 1.0822 x SD - 0.0736
ET-D3LEW10	1.26 - 1.72:1	16:10	= 1.0886 x SD - 0.0867	= 1.4876 x SD - 0.1025
	1.26 - 1.72:1	16:9	= 1.1188 x SD - 0.0867	= 1.5290 x SD - 0.1025
	1.52 - 2.07:1	4:3	= 1.2324 x SD - 0.0867	= 1.6841 x SD - 0.1025
ET-D75LE10	1.30 - 1.67:1	16:10	= 1.1186 x SD - 0.0857	= 1.4458 x SD - 0.1085
	1.30 - 1.67:1	16:9	= 1.1497 x SD - 0.0857	= 1.4860 x SD - 0.1085
	1.56 - 2.01:1	4:3	= 1.2663 x SD - 0.0857	= 1.6367 x SD - 0.1085
ET-D3LES20/ ET-D75LE20	1.67 - 2.41:1	16:10	= 1.4312 x SD - 0.0832	= 2.0795 x SD - 0.1162
	1.67 - 2.41:1	16:9	= 1.4709 x SD - 0.0832	= 2.1373 x SD - 0.1162
	2.00 - 2.90:1	4:3	= 1.6202 x SD - 0.0832	= 2.3542 x SD - 0.1162
ET-D3LET30	2.40 - 4.66:1	16:10	= 2.0609 x SD - 0.1261	= 4.0084 x SD - 0.1892
	2.40 - 4.66:1	16:9	= 2.1182 x SD - 0.1261	= 4.1198 x SD - 0.1892
	2.88 - 5.61:1	4:3	= 2.3331 x SD - 0.1261	= 4.5378 x SD - 0.1892
ET-D75LE30	2.40 - 4.66:1	16:10	= 2.0647 x SD - 0.1131	= 4.0041 x SD - 0.1765
	2.41 - 4.66:1	16:9	= 2.1221 x SD - 0.1131	= 4.1155 x SD - 0.1765
	2.89 - 5.60:1	4:3	= 2.3374 x SD - 0.1131	= 4.5330 x SD - 0.1765
ET-D3LET40	4.61 - 7.41:1	16:10	= 3.9505 x SD - 0.1673	= 6.3330 x SD - 0.1846
	4.61 - 7.41:1	16:9	= 4.0601 x SD - 0.1673	= 6.5091 x SD - 0.1846
	5.54 - 8.90:1	4:3	= 4.4720 x SD - 0.1673	= 7.1694 x SD - 0.1846
ET-D75LE40	4.62 - 7.38:1	16:10	= 3.9532 x SD - 0.1577	= 6.3027 x SD - 0.1615
	4.62 - 7.38:1	16:9	= 4.0631 x SD - 0.1577	= 6.4779 x SD - 0.1615
	5.55 - 8.86:1	4:3	= 4.4754 x SD - 0.1577	= 7.1351 x SD - 0.1615
ET-D3LET80/ ET-D75LE8	7.34 - 13.8:1	16:10	= 6.3193 x SD - 0.3862	= 11.8400 x SD - 0.3598
	7.34 - 13.8:1	16:9	= 6.4950 x SD - 0.3862	= 12.1692 x SD - 0.3598
	8.82 - 16.6:1	4:3	= 7.1540 x SD - 0.3862	= 13.4039 x SD - 0.3598

Fixed-focus Lens

Unit: m

Projection lens Model No.	Throw ratio	Aspect ratio	Projection distance (L) calculation formula
ET-D3LEU100	0.370:1	16:10	= 0.3264 x SD - 0.0664
	0.370:1	16:9	= 0.3355 x SD - 0.0664
	0.446:1	4:3	= 0.3695 x SD - 0.0664
ET-D3LEW50/ ET-D75LE50	0.694:1	16:10	= 0.6072 x SD - 0.0713
	0.695:1	16:9	= 0.6240 x SD - 0.0713
	0.836:1	4:3	= 0.6873 x SD - 0.0713

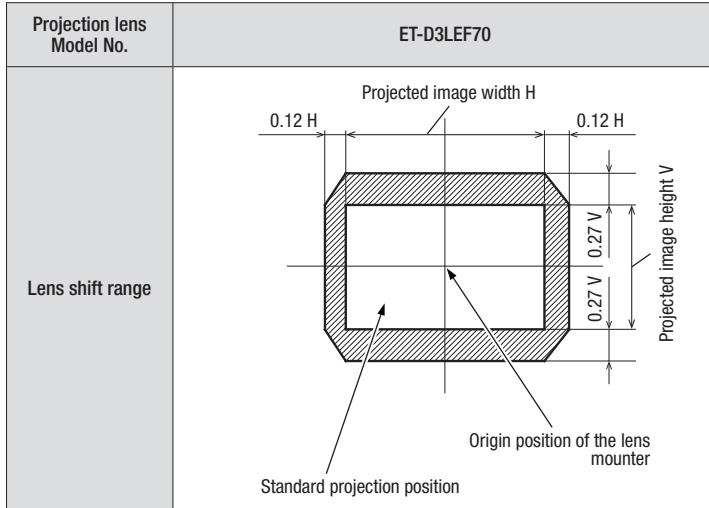
Projection lens Model No.	Throw ratio	Aspect ratio	Projection distance (L) calculation formula	Distance between the projector and the screen (A1) calculation formula	
				Minimum	Maximum
ET-D75LE95	0.364:1	16:10	=0.303 x SD + 0.020	=0.184 x SH - 0.128	=0.283 x SH - 0.128
	0.364:1	16:9	=0.312 x SD + 0.020	=0.205 x SH - 0.128	=0.370 x SH - 0.128
	0.436:1	4:3	=0.343 x SD + 0.020	=0.184 x SH - 0.128	=0.283 x SH - 0.128
ET-D75LE90	0.364:1	16:10	= 0.325 x SD + 0.020	= 0.198 x SH - 0.128	= 0.339 x SH - 0.128
	0.364:1	16:9	= 0.334 x SD + 0.020	= 0.220 x SH - 0.128	= 0.432 x SH - 0.128
	0.436:1	4:3	= 0.368 x SD + 0.020	= 0.198 x SH - 0.128	= 0.339 x SH - 0.128

**Lens shift range**

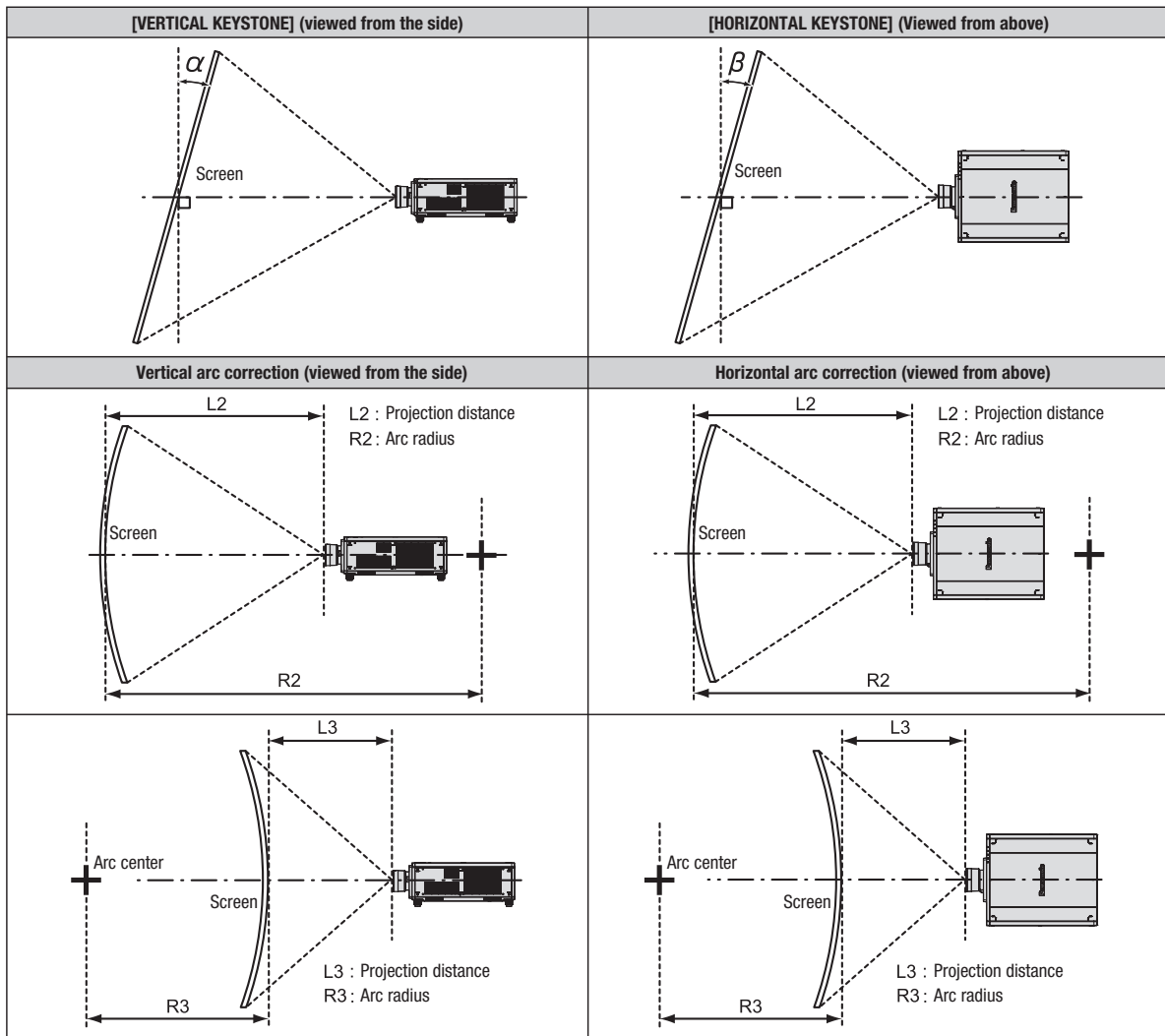
Optical axis shift function allows to shift the position of a projected image as shown below.

Projection lens Model No.	ET-D3LEW10, ET-D3LES20, ET-D3LET30, ET-D3LET40, ET-D3LET80, ET-D75LE10, ET-D75LE20, ET-D75LE30, ET-D75LE40, ET-D75LE8	ET-D3LEW60, ET-D75LE6
Lens shift range		
Lens shift range		
Lens shift range		

\* When using the fixed lens (Model No.: ET-D3LEW50, D75LE50) Use the projection lens in the standard projection position without adjusting the lens shift.



**Keystone correction range**



Standard status

Projection lens Model No.	Only [KEystone] used		[KEystone] and [CURVED CORRECTION] used together				Only [CURVED CORRECTION] used	
	Vertical keystone correction angle $\alpha$ (°)	Horizontal keystone correction angle $\beta$ (°)	Vertical keystone correction angle $\alpha$ (°)	Horizontal keystone correction angle $\beta$ (°)	Min. value of R2/L2	Min. value of R3/L3	Min. value of R2/L2	Min. value of R3/L3
ET-D3LEW200	±15	±5	–	–	–	–	–	–
ET-D3LEW60/ ET-D75LE6	±28	±15	±10	±10	1.6	3.9	0.9	2.3
ET-D3LEW10	±40	±15	±20	±15	1.1	2.6	0.6	1.5
ET-D75LE10	±40	±15	±20	±15	1.1	2.6	0.6	1.5
ET-D3LES20/ ET-D75LE20	±40	±15	±20	±15	0.9	1.7	0.5	1.0
ET-D3LET30	±40	±15	±20	±15	0.6	1.2	0.4	0.7
ET-D75LE30	±40	±15	±20	±15	0.6	1.2	0.4	0.7
ET-D3LET40	±40	±15	±20	±15	0.4	0.7	0.2	0.4
ET-D75LE40	±40	±15	±20	±15	0.4	0.7	0.2	0.4
ET-D3LET80/ ET-D75LE8	±40	±15	±20	±15	0.2	0.4	0.2	0.3
ET-D3LEU100	±8	±5	–	–	–	–	–	–
ET-D3LEW50/ ET-D75LE50	±22	±15	±8	±8	2.0	4.9	1.2	2.9
ET-D75LE95*1	+5 / -0	0	–	–	–	–	–	–
ET-D75LE90*1	+5 / -0	0	–	–	–	–	–	–

\*1 Only the vertical keystone correction angle can be corrected in the direction in which the projector body moves away from the screen.

When using the optional Upgrade Kit (Model No.: ET-UK20)

Projection lens Model No.	Only [KEystone] used*1		[KEystone] and [CURVED CORRECTION] used together				Only [CURVED CORRECTION] used	
	Vertical keystone correction angle $\alpha$ (°)	Horizontal keystone correction angle $\beta$ (°)	Vertical keystone correction angle $\alpha$ (°)	Horizontal keystone correction angle $\beta$ (°)	Min. value of R2/L2	Min. value of R3/L3	Min. value of R2/L2	Min. value of R3/L3
ET-D3LEW200	±15	±5	–	–	–	–	–	–
ET-D3LEW60/ ET-D75LE6	±28	±15	±10	±10	1.2	3.0	0.7	1.7
ET-D3LEW10	±40	±40	±20	±15	0.9	2.0	0.5	1.1
ET-D75LE10	±40	±40	±20	±15	0.9	2.0	0.5	1.1
ET-D3LES20/ ET-D75LE20	±40	±40	±20	±15	0.7	1.3	0.4	0.7
ET-D3LET30	±45	±40	±20	±15	0.5	0.9	0.3	0.5
ET-D75LE30	±45	±40	±20	±15	0.5	0.9	0.3	0.5
ET-D3LET40	±45	±40	±20	±15	0.3	0.5	0.2	0.3
ET-D75LE40	±45	±40	±20	±15	0.3	0.5	0.2	0.3
ET-D3LET80/ ET-D75LE8	±45	±40	±20	±15	0.2	0.3	0.1	0.2
ET-D3LEU100	±8	±5	–	–	–	–	–	–
ET-D3LEW50/ ET-D75LE50	±22	±15	±8	±8	1.5	3.7	0.9	2.2
ET-D75LE95*2	+5 / -0	0	–	–	–	–	–	–
ET-D75LE90*2	+5 / -0	0	–	–	–	–	–	–

\*1 When [VERTICAL KEYSTONE] and [HORIZONTAL KEYSTONE] are used simultaneously, correction cannot be made exceeding total of 55°.

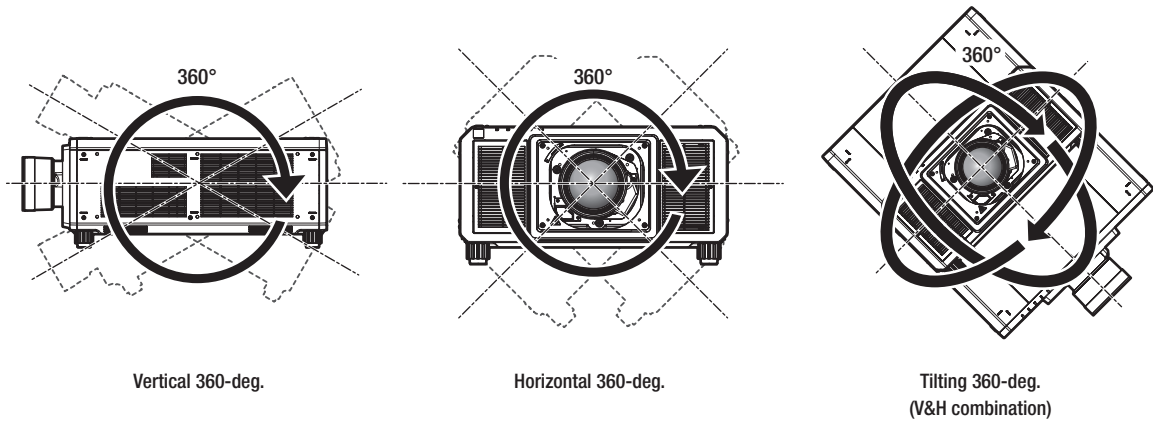
\*2 Only the vertical keystone correction angle can be corrected in the direction in which the projector body moves away from the screen.

**Note**

- When [GEOMETRY] is used, the focus of the entire screen may be lost as correction increases.
- Make the curved screen a circular arc shape with one part of a perfect circle removed.
- Adjustment range of the [GEOMETRY] items may not match the listed projection range depending on the projection lens. Use this projector within the projection range, otherwise the correction may not work.

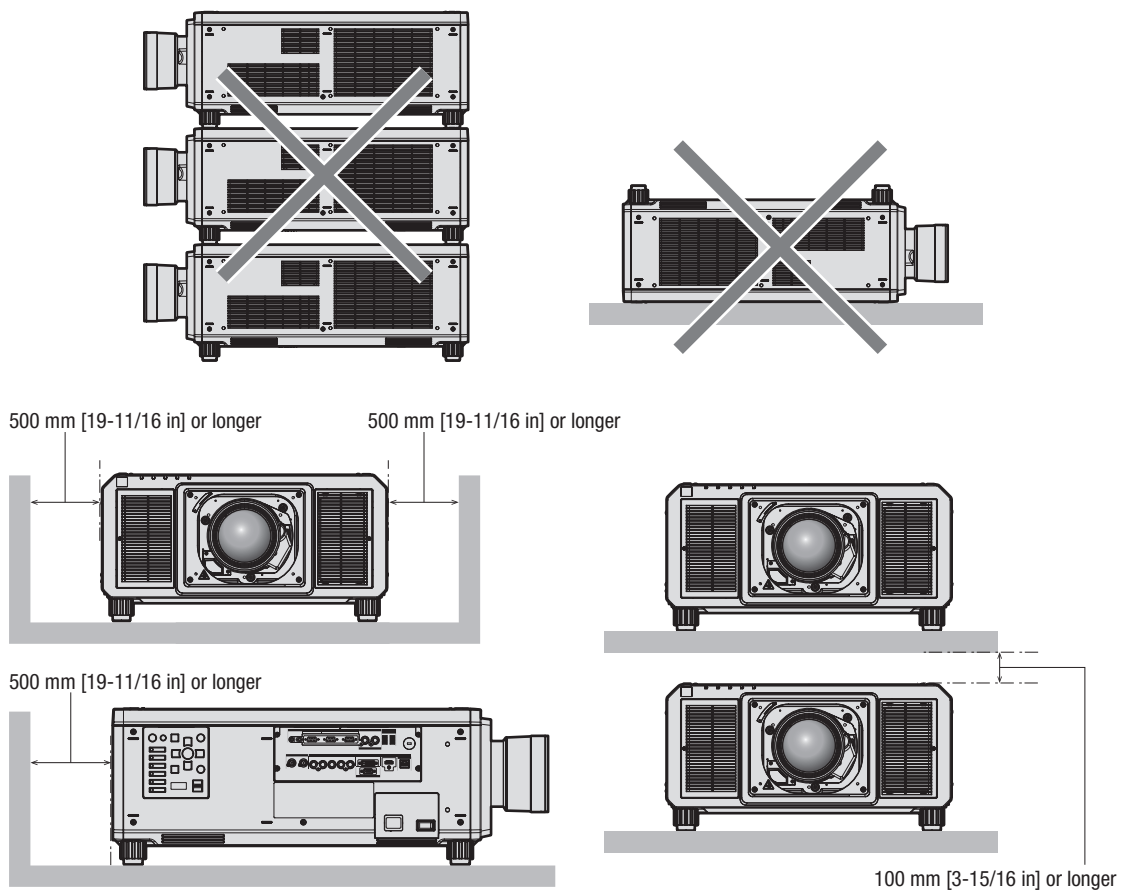
**Installable angle**

360° omnidirectional projection is possible.



**Notes on installation**

- Prevent hot and cool air from the air conditioning system to blow directly to the ventilation ports (intake and exhaust) of the projector.



- Do not install the projector in a confined space. When installing the projector in a confined space, provide air conditioning or ventilation separately. Exhaust heat may accumulate when the ventilation is not enough, triggering the protection circuit of the projector.
- Panasonic takes no responsibility for any damage to the product caused by an inappropriate choice of location for installing the projector, even if the warranty period of the product has not expired.

**List of compatible signals**

The following table specifies the video signals that the projector can project. For details of SDI signal, refer to “List of single link SDI compatible signals” and “List of dual link SDI compatible signals”.

• Symbols that indicate formats are as follows.

- V: VIDEO, Y/C
- R: RGB (analog)
- Y: YCbCr/YPbPr (analog)
- D: DVI-D
- H: HDMI

• Input corresponding to each item in the plug and play column is as follows.

- RGB2: RGB2 input
- DVI-D: DVI-D input
- HDMI/DL: HDMI input, DIGITAL LINK input

Signal name (SIGNAL FORMAT)	Resolution (Dots)	Scanning freq.		Dot clock freq. (MHz)	Format	Plug and play*1				
		H (kHz)	V (Hz)			RGB2	DVI-D			HDMI/ DL
							EDID1	EDID2	EDID3	
NTSC/NTSC4.43/ PAL-M/PAL60	720 x 480i	15.7	59.9	—	V	—	—	—	—	—
PAL/PAL-N/SECAM	720 x 576i	15.6	50.0	—	V	—	—	—	—	—
480/60i	720 x 480i	15.7	59.9	13.5	R/Y	—	—	—	—	—
576/50i	720 x 576i	15.6	50.0	13.5	R/Y	—	—	—	—	—
480/60i	720(1440) x 480i*2	15.7	59.9	27.0	D/H	—	—	—	—	—
576/50i	720(1440) x 576i*2	15.6	50.0	27.0	D/H	—	—	—	—	—
480/60p	720 x 480	31.5	59.9	27.0	R/Y/D/H	—	✓	—	✓	✓
576/50p	720 x 576	31.3	50.0	27.0	R/Y/D/H	—	✓	—	✓	✓
720/60p	1280 x 720	45.0	60.0	74.3	R/Y/D/H	—	✓	—	✓	✓
720/50p	1280 x 720	37.5	50.0	74.3	R/Y/D/H	—	✓	—	✓	✓
1080/60i	1920 x 1080i	33.8	60.0	74.3	R/Y/D/H	—	✓	—	✓	✓
1080/50i	1920 x 1080i	28.1	50.0	74.3	R/Y/D/H	—	✓	—	✓	✓
1080/24p	1920 x 1080	27.0	24.0	74.3	R/Y/D/H	—	✓	—	✓	✓
1080/24sF	1920 x 1080i	27.0	48.0	74.3	R/Y/D/H	—	—	—	—	—
1080/25p	1920 x 1080	28.1	25.0	74.3	R/Y/D/H	—	✓	—	✓	—
1080/30p	1920 x 1080	33.8	30.0	74.3	R/Y/D/H	—	—	—	—	—
1080/60p	1920 x 1080	67.5	60.0	148.5	R/Y/D/H	—	✓	—	✓	✓
1080/50p	1920 x 1080	56.3	50.0	148.5	R/Y/D/H	—	✓	—	✓	✓
640 x 400/70	640 x 400	31.5	70.1	25.2	R/D/H	—	—	—	—	—
640 x 400/85	640 x 400	37.9	85.1	31.5	R/D/H	—	—	—	—	—
640 x 480/60	640 x 480	31.5	59.9	25.2	R/D/H	✓	✓	✓	✓	✓
640 x 480/67	640 x 480	35.0	66.7	30.2	R/D/H	—	—	—	—	—
640 x 480/73	640 x 480	37.9	72.8	31.5	R/D/H	✓	—	✓	✓	✓
640 x 480/75	640 x 480	37.5	75.0	31.5	R/D/H	✓	—	✓	✓	✓
640 x 480/85	640 x 480	43.3	85.0	36.0	R/D/H	—	—	—	—	—
800 x 600/56	800 x 600	35.2	56.3	36.0	R/D/H	✓	—	✓	✓	✓
800 x 600/60	800 x 600	37.9	60.3	40.0	R/D/H	✓	—	✓	✓	✓
800 x 600/72	800 x 600	48.1	72.2	50.0	R/D/H	✓	—	✓	✓	✓
800 x 600/75	800 x 600	46.9	75.0	49.5	R/D/H	✓	—	✓	✓	✓
800 x 600/85	800 x 600	53.7	85.1	56.3	R/D/H	—	—	—	—	—
832 x 624/75	832 x 624	49.7	74.6	57.3	R/D/H	✓	—	✓	✓	✓
1024 x 768/50	1024 x 768	39.6	50.0	51.9	R/D/H	—	—	—	—	—
1024 x 768/60	1024 x 768	48.4	60.0	65.0	R/D/H	✓	—	✓	✓	✓
1024 x 768/70	1024 x 768	56.5	70.1	75.0	R/D/H	✓	—	✓	✓	✓
1024 x 768/75	1024 x 768	60.0	75.0	78.8	R/D/H	✓	—	✓	✓	✓
1024 x 768/82	1024 x 768	65.5	81.6	86.0	R/D/H	—	—	—	—	—
1024 x 768/85	1024 x 768	68.7	85.0	94.5	R/D/H	—	—	—	—	—
1024 x 768/100	1024 x 768*3	81.4	100.0	113.3	R/D/H	—	—	—	—	—
1024 x 768/120	1024 x 768*3	98.8	120.0	139.1	R/D/H	✓	—	✓	✓	✓
1152 x 864/60	1152 x 864	53.7	60.0	81.6	R/D/H	—	—	—	—	—
1152 x 864/70	1152 x 864	64.0	70.0	94.2	R/D/H	—	—	—	—	—
1152 x 864/75	1152 x 864	67.5	75.0	108.0	R/D/H	—	—	—	—	—
1152 x 864/85	1152 x 864	77.1	85.0	119.7	R/D/H	—	—	—	—	—
1152 x 870/75	1152 x 870	68.7	75.1	100.0	R/D/H	✓	—	✓	✓	✓
1280 x 720/50	1280 x 720	37.1	49.8	60.5	R/D/H	—	—	—	—	—
1280 x 720/60	1280 x 720	44.8	59.9	74.5	R/D/H	—	—	—	—	—
1280 x 720/100	1280 x 720*3	76.3	100.0	131.8	R/D/H	—	—	—	—	—
1280 x 720/120	1280 x 720*3	92.6	120.0	161.6	R/D/H	—	—	—	—	—
1280 x 768/50	1280 x 768	39.6	49.9	65.3	R/D/H	—	—	—	—	—

Signal name (SIGNAL FORMAT)	Resolution (Dots)	Scanning freq.		Dot clock freq. (MHz)	Format	Plug and play*1				
		H (kHz)	V (Hz)			RGB2	DVI-D			HDMI/ DL
							EDID1	EDID2	EDID3	
1280 x 768/60	1280 x 768	47.8	59.9	79.5	R/D/H	—	—	—	—	—
	1280 x 768*4	47.4	60.0	68.3	R/D/H	—	—	—	—	—
1280 x 768/75	1280 x 768	60.3	74.9	102.3	R/D/H	—	—	—	—	—
1280 x 768/85	1280 x 768	68.6	84.8	117.5	R/D/H	—	—	—	—	—
1280 x 800/50	1280 x 800	41.3	50.0	68.0	R/D/H	—	—	—	—	—
1280 x 800/60	1280 x 800	49.7	59.8	83.5	R/D/H	—	—	—	—	—
	1280 x 800*4	49.3	59.9	71.0	R/D/H	—	—	—	—	—
1280 x 800/75	1280 x 800	62.8	74.9	106.5	R/D/H	—	—	—	—	—
1280 x 800/85	1280 x 800	71.6	84.9	122.5	R/D/H	—	—	—	—	—
1280 x 960/60	1280 x 960	60.0	60.0	108.0	R/D/H	—	—	—	—	—
1280 x 1024/50	1280 x 1024	52.4	50.0	88.0	R/D/H	—	—	—	—	—
1280 x 1024/60	1280 x 1024	64.0	60.0	108.0	R/D/H	—	—	—	—	—
1280 x 1024/66	1280 x 1024	72.3	66.3	125.0	R/D/H	—	—	—	—	—
1280 x 1024/72	1280 x 1024	78.2	72.0	135.1	R/D/H	—	—	—	—	—
1280 x 1024/75	1280 x 1024	80.0	75.0	135.0	R/D/H	✓	—	✓	✓	✓
1280 x 1024/85	1280 x 1024	91.1	85.0	157.5	R/D/H	—	—	—	—	—
1366 x 768/50	1366 x 768	39.6	49.9	69.0	R/D/H	—	—	—	—	—
1366 x 768/60	1366 x 768	47.7	59.8	85.5	R/D/H	—	—	—	—	—
1400 x 1050/50	1400 x 1050	54.1	50.0	99.9	R/D/H	—	—	—	—	—
1400 x 1050/60	1400 x 1050	64.0	60.0	108.0	R/D/H	—	—	—	—	—
	1400 x 1050	65.2	60.0	122.6	R/D/H	✓	—	✓	✓	✓
	1400 x 1050	65.3	60.0	121.8	R/D/H	—	—	—	—	—
1400 x 1050/72	1400 x 1050	78.8	72.0	149.3	R/D/H	—	—	—	—	—
1400 x 1050/75	1400 x 1050	82.2	75.0	155.9	R/D/H	—	—	—	—	—
1440 x 900/50	1440 x 900	46.3	49.9	86.8	R/D/H	—	—	—	—	—
1440 x 900/60	1440 x 900	55.9	59.9	106.5	R/D/H	—	—	—	—	—
1600 x 900/50	1600 x 900	46.4	49.9	96.5	R/D/H	—	—	—	—	—
1600 x 900/60	1600 x 900	55.9	60.0	119.0	R/D/H	✓	—	✓	✓	✓
1600 x 1200/50	1600 x 1200	61.8	49.9	131.5	R/D/H	—	—	—	—	—
1600 x 1200/60	1600 x 1200	75.0	60.0	162.0	R/D/H	✓	—	✓	✓	✓
1680 x 1050/50	1680 x 1050	54.1	50.0	119.5	R/D/H	—	—	—	—	—
1680 x 1050/60	1680 x 1050	65.3	60.0	146.3	R/D/H	—	—	—	—	—
1920 x 1080/50	1920 x 1080	55.6	49.9	141.5	R/D/H	—	—	—	—	—
1920 x 1080/60	1920 x 1080*4	66.6	59.9	138.5	R/D/H	—	—	—	—	—
	1920 x 1080*5	67.2	60.0	173.0	R	—	—	—	—	—
1920 x 1200/50	1920 x 1200	61.8	49.9	158.3	R/D/H	—	—	—	—	—
1920 x 1200/60	1920 x 1200*5	74.6	59.9	193.3	R	—	—	—	—	—
1920 x 1200/60RB	1920 x 1200*4	74.0	60.0	154.0	R/D/H	✓	—	✓	✓	✓

\*1 Signal with I in the plug and play column is a signal described in the EDID (extended display identification data) of the projector. The signal that does not have I in the plug and play column can also be input if it is described in the format column. The resolution may not be selected in the computer even if the projector is compatible for the signal that does not have I in the plug and play column.

\*2 Pixel-Repetition signal (dot clock frequency 27.0 MHz) only

\*3 Image is displayed as 3D image in the frame sequential format when [3D INPUT FORMAT] is set to [AUTO]. To display images in 2D, set [3D INPUT FORMAT] to [NATIVE].

\*4 VESA CVT-RB (Reduced Blanking)-compliant

\*5 Samples the pixels in the image processing circuit and projects the image.

**Note**

- A signal with a different resolution is converted to the number of display dots. The number of display dots is as follows. 1 920 x 1 200
- The "i" at the end of the resolution indicates an interlaced signal.
- When interlaced signals are connected, flickering may occur on the projected image.
- DIGITAL LINK input compatible signal is the same as HDMI input compatible signal.



**List of Single link SDI compatible signals**

The following table specifies the single link SDI signals that the projector can project.

Signal name (SIGNAL FORMAT)	Resolution (Dots)	Scanning freq.		Dot clock freq. (MHz)	Format	Color format	Sampling
		H (kHz)	V (Hz)				
480/60i	720 x 480i	15.7	59.9	27.0	SD-SDI	YPbPr	4:2:2 10bit
576/50i	720 x 576i	15.6	50.0	27.0	SD-SDI	YPbPr	4:2:2 10bit
720/60p	1280 x 720	45.0	60.0*1	74.3	HD-SDI	YPbPr	4:2:2 10bit
720/50p	1280 x 720	37.5	50.0	74.3	HD-SDI	YPbPr	4:2:2 10bit
1080/60i	1920 x 1080i	33.8	60.0*1	74.3	HD-SDI	YPbPr	4:2:2 10bit
	1920 x 1080i	33.8	60.0*1	74.3	3G-SDI Level-A	RGB	4:4:4 10bit
	1920 x 1080i	33.8	60.0*1	74.3	3G-SDI Level-B	RGB	4:4:4 10bit
	1920 x 1080i	33.8	60.0*1	74.3	3G-SDI Level-A	RGB	4:4:4 12bit
	1920 x 1080i	33.8	60.0*1	74.3	3G-SDI Level-B	RGB	4:4:4 12bit
1080/50i	1920 x 1080i	28.1	50.0	74.3	HD-SDI	YPbPr	4:2:2 10bit
	1920 x 1080i	28.1	50.0	74.3	3G-SDI Level-A	RGB	4:4:4 10bit
	1920 x 1080i	28.1	50.0	74.3	3G-SDI Level-B	RGB	4:4:4 10bit
	1920 x 1080i	28.1	50.0	74.3	3G-SDI Level-A	RGB	4:4:4 12bit
	1920 x 1080i	28.1	50.0	74.3	3G-SDI Level-B	RGB	4:4:4 12bit
1080/24p	1920 x 1080	27.0	24.0*1	74.3	HD-SDI	YPbPr	4:2:2 10bit
	1920 x 1080	27.0	24.0*1	74.3	3G-SDI Level-A	RGB	4:4:4 10bit
	1920 x 1080	27.0	24.0*1	74.3	3G-SDI Level-B	RGB	4:4:4 10bit
	1920 x 1080	27.0	24.0*1	74.3	3G-SDI Level-A	RGB	4:4:4 12bit
	1920 x 1080	27.0	24.0*1	74.3	3G-SDI Level-B	RGB	4:4:4 12bit
1080/24sF	1920 x 1080i	27.0	48.0*1	74.3	HD-SDI	YPbPr	4:2:2 10bit
	1920 x 1080i	27.0	48.0*1	74.3	3G-SDI Level-A	RGB	4:4:4 10bit
	1920 x 1080i	27.0	48.0*1	74.3	3G-SDI Level-B	RGB	4:4:4 10bit
	1920 x 1080i	27.0	48.0*1	74.3	3G-SDI Level-A	RGB	4:4:4 12bit
	1920 x 1080i	27.0	48.0*1	74.3	3G-SDI Level-B	RGB	4:4:4 12bit
1080/25p	1920 x 1080	28.1	25.0	74.3	HD-SDI	YPbPr	4:2:2 10bit
	1920 x 1080	28.1	25.0	74.3	3G-SDI Level-A	RGB	4:4:4 10bit
	1920 x 1080	28.1	25.0	74.3	3G-SDI Level-B	RGB	4:4:4 10bit
	1920 x 1080	28.1	25.0	74.3	3G-SDI Level-A	RGB	4:4:4 12bit
	1920 x 1080	28.1	25.0	74.3	3G-SDI Level-B	RGB	4:4:4 12bit
1080/30p	1920 x 1080	33.8	30.0*1	74.3	HD-SDI	YPbPr	4:2:2 10bit
	1920 x 1080	33.8	30.0*1	74.3	3G-SDI Level-A	RGB	4:4:4 10bit
	1920 x 1080	33.8	30.0*1	74.3	3G-SDI Level-B	RGB	4:4:4 10bit
	1920 x 1080	33.8	30.0*1	74.3	3G-SDI Level-A	RGB	4:4:4 12bit
	1920 x 1080	33.8	30.0*1	74.3	3G-SDI Level-B	RGB	4:4:4 12bit
1080/60p	1920 x 1080	67.5	60.0*1	148.5	3G-SDI Level-A	YPbPr	4:2:2 10bit
	1920 x 1080	67.5	60.0*1	148.5	3G-SDI Level-B	YPbPr	4:2:2 10bit
1080/50p	1920 x 1080	56.3	50.0	148.5	3G-SDI Level-A	YPbPr	4:2:2 10bit
	1920 x 1080	56.3	50.0	148.5	3G-SDI Level-B	YPbPr	4:2:2 10bit
2K/24p	2048 x 1080	27.0	24.0*1	74.3	3G-SDI Level-A	RGB	4:4:4 10bit
	2048 x 1080	27.0	24.0*1	74.3	3G-SDI Level-B	RGB	4:4:4 10bit
	2048 x 1080	27.0	24.0*1	74.3	3G-SDI Level-A	RGB	4:4:4 12bit
	2048 x 1080	27.0	24.0*1	74.3	3G-SDI Level-B	RGB	4:4:4 12bit
	2048 x 1080	27.0	24.0*1	74.3	3G-SDI Level-A	XYZ	4:4:4 12bit
2K/25p	2048 x 1080	28.1	25.0	74.3	3G-SDI Level-A	RGB	4:4:4 10bit
	2048 x 1080	28.1	25.0	74.3	3G-SDI Level-B	RGB	4:4:4 10bit
	2048 x 1080	28.1	25.0	74.3	3G-SDI Level-A	RGB	4:4:4 12bit
	2048 x 1080	28.1	25.0	74.3	3G-SDI Level-B	RGB	4:4:4 12bit
	2048 x 1080	28.1	25.0	74.3	3G-SDI Level-A	XYZ	4:4:4 12bit
2K/30p	2048 x 1080	33.8	30.0*1	74.3	3G-SDI Level-A	RGB	4:4:4 10bit
	2048 x 1080	33.8	30.0*1	74.3	3G-SDI Level-B	RGB	4:4:4 10bit
	2048 x 1080	33.8	30.0*1	74.3	3G-SDI Level-A	RGB	4:4:4 12bit
	2048 x 1080	33.8	30.0*1	74.3	3G-SDI Level-B	RGB	4:4:4 12bit
	2048 x 1080	33.8	30.0*1	74.3	3G-SDI Level-A	XYZ	4:4:4 12bit
2K/48p	2048 x 1080	54.0	48.0*1	148.5	3G-SDI Level-A	YPbPr	4:2:2 10bit
	2048 x 1080	54.0	48.0*1	148.5	3G-SDI Level-B	YPbPr	4:2:2 10bit
2K/50p	2048 x 1080	56.3	50.0	148.5	3G-SDI Level-A	YPbPr	4:2:2 10bit
	2048 x 1080	56.3	50.0	148.5	3G-SDI Level-B	YPbPr	4:2:2 10bit

Signal name (SIGNAL FORMAT)	Resolution (Dots)	Scanning freq.		Dot clock freq. (MHz)	Format	Color format	Sampling
		H (kHz)	V (Hz)				
2K/60p	2048 x 1080	67.5	60.0*1	148.5	3G-SDI Level-A	YPbPr	4:2:2 10bit
	2048 x 1080	67.5	60.0*1	148.5	3G-SDI Level-B	YPbPr	4:2:2 10bit

\*1 The signal with 1/1.001x vertical scanning frequency is also supported.

**List of Dual link SDI compatible signals**

The following table specifies the dual link SDI signals that the projector can project.

Signal name (SIGNAL FORMAT)	Resolution (Dots)	Scanning freq.		Dot clock freq. (MHz)	Format	Color format	Sampling
		H (kHz)	V (Hz)				
1080/60i	1920 x 1080i	33.8	60.0*1	74.3	HD-SDI	RGB	4:4:4 10bit
	1920 x 1080i	33.8	60.0*1	74.3	HD-SDI	RGB	4:4:4 12bit
1080/50i	1920 x 1080i	28.1	50.0	74.3	HD-SDI	RGB	4:4:4 10bit
	1920 x 1080i	28.1	50.0	74.3	HD-SDI	RGB	4:4:4 12bit
1080/24p	1920 x 1080	27.0	24.0*1	74.3	HD-SDI	RGB	4:4:4 10bit
	1920 x 1080	27.0	24.0*1	74.3	HD-SDI	RGB	4:4:4 12bit
1080/24sF	1920 x 1080i	27.0	48.0*1	74.3	HD-SDI	RGB	4:4:4 10bit
	1920 x 1080i	27.0	48.0*1	74.3	HD-SDI	RGB	4:4:4 12bit
1080/25p	1920 x 1080	28.1	25.0	74.3	HD-SDI	RGB	4:4:4 10bit
	1920 x 1080	28.1	25.0	74.3	HD-SDI	RGB	4:4:4 12bit
1080/30p	1920 x 1080	33.8	30.0*1	74.3	HD-SDI	RGB	4:4:4 10bit
	1920 x 1080	33.8	30.0*1	74.3	HD-SDI	RGB	4:4:4 12bit
1080/60p	1920 x 1080	67.5	60.0*1	148.5	3G-SDI Level-A	YPbPr	4:4:4 10bit
	1920 x 1080	67.5	60.0*1	148.5	3G-SDI Level-B	YPbPr	4:4:4 10bit
	1920 x 1080	67.5	60.0*1	148.5	3G-SDI Level-A	YPbPr	4:4:4 12bit
	1920 x 1080	67.5	60.0*1	148.5	3G-SDI Level-B	YPbPr	4:4:4 12bit
	1920 x 1080	67.5	60.0*1	148.5	3G-SDI Level-A	RGB	4:4:4 10bit
	1920 x 1080	67.5	60.0*1	148.5	3G-SDI Level-B	RGB	4:4:4 10bit
	1920 x 1080	67.5	60.0*1	148.5	3G-SDI Level-A	RGB	4:4:4 12bit
	1920 x 1080	67.5	60.0*1	148.5	3G-SDI Level-B	RGB	4:4:4 12bit
1080/50p	1920 x 1080	56.3	50.0	148.5	3G-SDI Level-A	YPbPr	4:4:4 10bit
	1920 x 1080	56.3	50.0	148.5	3G-SDI Level-B	YPbPr	4:4:4 10bit
	1920 x 1080	56.3	50.0	148.5	3G-SDI Level-A	YPbPr	4:4:4 12bit
	1920 x 1080	56.3	50.0	148.5	3G-SDI Level-B	YPbPr	4:4:4 12bit
	1920 x 1080	56.3	50.0	148.5	3G-SDI Level-A	RGB	4:4:4 10bit
	1920 x 1080	56.3	50.0	148.5	3G-SDI Level-B	RGB	4:4:4 10bit
	1920 x 1080	56.3	50.0	148.5	3G-SDI Level-A	RGB	4:4:4 12bit
	1920 x 1080	56.3	50.0	148.5	3G-SDI Level-B	RGB	4:4:4 12bit
2K/24p	2048 x 1080	27.0	24.0*1	74.3	HD-SDI	RGB	4:4:4 10bit
	2048 x 1080	27.0	24.0*1	74.3	HD-SDI	RGB	4:4:4 12bit
	2048 x 1080	27.0	24.0*1	74.3	HD-SDI	XYZ	4:4:4 12bit
2K/48p	2048 x 1080	54.0	48.0*1	148.5	3G-SDI Level-A	YPbPr	4:4:4 10bit
	2048 x 1080	54.0	48.0*1	148.5	3G-SDI Level-B	YPbPr	4:4:4 10bit
	2048 x 1080	54.0	48.0*1	148.5	3G-SDI Level-A	YPbPr	4:4:4 12bit
	2048 x 1080	54.0	48.0*1	148.5	3G-SDI Level-B	YPbPr	4:4:4 12bit
	2048 x 1080	54.0	48.0*1	148.5	3G-SDI Level-A	RGB	4:4:4 10bit
	2048 x 1080	54.0	48.0*1	148.5	3G-SDI Level-B	RGB	4:4:4 10bit
	2048 x 1080	54.0	48.0*1	148.5	3G-SDI Level-A	RGB	4:4:4 12bit
	2048 x 1080	54.0	48.0*1	148.5	3G-SDI Level-B	RGB	4:4:4 12bit
2K/50p	2048 x 1080	56.3	50.0	148.5	3G-SDI Level-A	YPbPr	4:4:4 10bit
	2048 x 1080	56.3	50.0	148.5	3G-SDI Level-B	YPbPr	4:4:4 10bit
	2048 x 1080	56.3	50.0	148.5	3G-SDI Level-A	YPbPr	4:4:4 12bit
	2048 x 1080	56.3	50.0	148.5	3G-SDI Level-B	YPbPr	4:4:4 12bit
	2048 x 1080	56.3	50.0	148.5	3G-SDI Level-A	RGB	4:4:4 10bit
	2048 x 1080	56.3	50.0	148.5	3G-SDI Level-B	RGB	4:4:4 10bit
	2048 x 1080	56.3	50.0	148.5	3G-SDI Level-A	RGB	4:4:4 12bit
	2048 x 1080	56.3	50.0	148.5	3G-SDI Level-B	RGB	4:4:4 12bit
2K/60p	2048 x 1080	67.5	60.0*1	148.5	3G-SDI Level-A	YPbPr	4:4:4 10bit
	2048 x 1080	67.5	60.0*1	148.5	3G-SDI Level-B	YPbPr	4:4:4 10bit
	2048 x 1080	67.5	60.0*1	148.5	3G-SDI Level-A	YPbPr	4:4:4 12bit
	2048 x 1080	67.5	60.0*1	148.5	3G-SDI Level-B	YPbPr	4:4:4 12bit
	2048 x 1080	67.5	60.0*1	148.5	3G-SDI Level-A	RGB	4:4:4 10bit
	2048 x 1080	67.5	60.0*1	148.5	3G-SDI Level-B	RGB	4:4:4 10bit
	2048 x 1080	67.5	60.0*1	148.5	3G-SDI Level-A	RGB	4:4:4 12bit
	2048 x 1080	67.5	60.0*1	148.5	3G-SDI Level-B	RGB	4:4:4 12bit

\*1 The signal with 1/1.001x vertical scanning frequency is also supported.

### List of simultaneous input 2D compatible signals

The following table specifies the simultaneous input (2D) compatible video signals that the projector can project.

Signal name (SIGNAL FORMAT)	Resolution (Dots)	Scanning freq.		Dot clock freq. (MHz)	HDMI/DVI	SDI1/SDI2
		H (kHz)	V (Hz)			
1080/60p	1920 x 1080	67.5	60.0	148.5	✓	✓
1080/50p	1920 x 1080	56.3	50.0	148.5	✓	✓
1366 x 768/50	1366 x 768	39.6	49.9	69.0	✓	—
1366 x 768/60	1366 x 768	47.7	59.8	85.5	✓	—
1400 x 1050/50	1400 x 1050	54.1	50.0	99.9	✓	—
1400 x 1050/60	1400 x 1050	65.3	60.0	121.8	✓	—
1920 x 1080/50	1920 x 1080	55.6	49.9	141.5	✓	—
1920 x 1080/60	1920 x 1080	66.6	59.9	138.5	✓	—
1920 x 1200/50	1920 x 1200	61.8	49.9	158.3	✓	—
1920 x 1200/60	1920 x 1200	74.0	60.0	154.0	✓	—

**List of 3D compatible signals**

The following table specifies the 3D compatible video signals that the projector can project.

• Abbreviations for input formats and 3D formats in the table have the following meanings.

- FP: Frame packing format
- SBS: Side by side format
- TB: Top and bottom format
- LBL: Line by line format
- FS: Frame sequential format
- 3G: 3G-SDI Level B simultaneous format
- H-D: HDMI & DVI-D input simultaneous format
- R1-2: RGB1 & RGB2 input simultaneous format
- S1-2: SDI1 & SDI2 input simultaneous format

Signal name (SIGNAL FORMAT)	Resolution (Dots)	Scanning freq.		Dot clock freq. (MHz)	HDMI				DVI-D			
		H (kHz)	V (Hz)		FP	SBS*1	TB	FS	SBS*1	TB	LBL	FS
720/60p	1280 x 720	45.0	60.0	74.3	✓	✓	✓	—	✓	✓	✓	—
720/50p	1280 x 720	37.5	50.0	74.3	✓	✓	✓	—	✓	✓	✓	—
1080/60i	1920 x 1080i	33.8	60.0	74.3	✓	✓	—	—	✓	✓	—	—
1080/50i	1920 x 1080i	28.1	50.0	74.3	✓	✓	—	—	✓	✓	—	—
1080/24p	1920 x 1080	27.0	24.0	74.3	✓	✓	✓	—	✓	✓	—	—
1080/24sF	1920 x 1080i	27.0	24.0	74.3	—	—	—	—	✓	✓	—	—
1080/25p	1920 x 1080	28.1	25.0	74.3	—	—	—	—	✓	✓	—	—
1080/30p	1920 x 1080	33.8	30.0	74.3	—	—	—	—	✓	✓	—	—
1080/60p	1920 x 1080	67.5	60.0	148.5	—	✓	✓	—	✓	✓	—	—
1080/50p	1920 x 1080	56.3	50.0	148.5	—	✓	✓	—	✓	✓	—	—
640 x 480	640 x 480	31.5	59.9	25.2	—	—	—	—	✓	—	—	—
800 x 600	800 x 600	37.9	60.3	40.0	—	—	—	—	✓	—	—	—
1024 x 768	1024 x 768	39.6	50.0	51.9	—	—	—	—	✓	—	—	—
	1024 x 768	48.4	60.0	65.0	—	—	—	—	✓	—	—	—
	1024 x 768	81.4	100.0	113.3	—	—	—	✓	—	—	—	✓
	1024 x 768	98.8	120.0	139.1	—	—	—	✓	—	—	—	✓
1152 x 864	1152 x 864	53.7	60.0	81.6	—	—	—	—	✓	—	—	
1280 x 720	1280 x 720	37.1	49.8	60.5	—	—	—	—	✓	—	—	—
	1280 x 720	44.8	59.9	74.5	—	—	—	—	✓	—	—	—
	1280 x 720	76.3	100.0	131.8	—	—	—	✓	—	—	—	✓
	1280 x 720	92.6	120.0	161.6	—	—	—	✓	—	—	—	✓
1280 x 768	1280 x 768	39.6	49.9	65.3	—	—	—	—	✓	—	—	—
	1280 x 768	47.8	59.9	79.5	—	—	—	—	✓	—	—	—
	1280 x 768*2	47.4	60.0	68.3	—	—	—	—	✓	—	—	—
1280 x 800	1280 x 800	41.3	50.0	68.0	—	—	—	—	✓	—	—	—
	1280 x 800	49.7	59.8	83.5	—	—	—	—	✓	—	—	—
	1280 x 800*2	49.3	59.9	71.0	—	—	—	—	✓	—	—	—
1280 x 960	1280 x 960	60.0	60.0	108.0	—	—	—	—	✓	—	—	
1280 x 1024	1280 x 1024	52.4	50.0	88.0	—	—	—	—	✓	—	—	—
	1280 x 1024	64.0	60.0	108.0	—	—	—	—	✓	—	—	—
1366 x 768	1366 x 768	47.7	59.8	85.5	—	—	—	—	✓	—	—	—
	1366 x 768	39.6	49.9	69.0	—	—	—	—	✓	—	—	—
1400 x 1050	1400 x 1050	54.1	50.0	99.9	—	—	—	—	✓	—	—	—
	1400 x 1050	64.0	60.0	108.0	—	—	—	—	✓	—	—	—
	1400 x 1050	65.2	60.0	122.6	—	—	—	—	✓	—	—	—
	1400 x 1050	65.3	60.0	121.8	—	—	—	—	✓	—	—	—
1440 x 900	1440 x 900	55.9	59.9	106.5	—	—	—	—	✓	—	—	—
	1440 x 900	46.3	49.9	86.8	—	—	—	—	✓	—	—	—
1600 x 900	1600 x 900	46.4	49.9	96.5	—	—	—	—	✓	—	—	—
	1600 x 900	55.9	60.0	119.0	—	—	—	—	✓	—	—	—
1600 x 1200	1600 x 1200	75.0	60.0	162.0	—	—	—	—	✓	—	—	—
	1600 x 1200	61.8	49.9	131.5	—	—	—	—	✓	—	—	—
1680 x 1050	1680 x 1050	65.3	60.0	146.3	—	—	—	—	✓	—	—	—
	1680 x 1050	54.1	50.0	119.5	—	—	—	—	✓	—	—	—
1920 x 1080	1920 x 1080	55.6	49.9	141.5	—	—	—	—	✓	—	—	—
	1920 x 1080*2	66.6	59.9	138.5	—	—	—	—	✓	—	—	—
1920 x 1200	1920 x 1200	61.8	49.9	158.3	—	—	—	—	✓	—	—	—
	1920 x 1200*2	74.0	60.0	154.0	—	—	—	—	✓	—	✓	—

\*1 Supports half.

\*2 VESA CVT RB (Reduced Blanking) compliant

Signal name (SIGNAL FORMAT)	Resolution (Dots)	Scanning freq.		Dot clock freq. (MHz)	RGB1/RGB2				SDI1/SDI2				H-D	R1-2	S1-2
		H (kHz)	V (Hz)		SBS*1	TB	LBL	FS	SBS*1	TB	LBL	3G			
720/60p	1280 x 720	45.0	60.0	74.3	✓	✓	✓	—	✓	✓	✓	✓	✓	✓	✓
720/50p	1280 x 720	37.5	50.0	74.3	✓	✓	✓	—	✓	✓	✓	✓	✓	✓	✓
1080/60i	1920 x 1080i	33.8	60.0	74.3	✓	✓	—	—	✓	✓	—	✓	✓	✓	✓
1080/50i	1920 x 1080i	28.1	50.0	74.3	✓	✓	—	—	✓	✓	—	✓	✓	✓	✓
1080/24p	1920 x 1080	27.0	24.0	74.3	✓	✓	—	—	✓	✓	—	✓	✓	✓	✓
1080/24sF	1920 x 1080i	27.0	24.0	74.3	✓	✓	—	—	✓	✓	—	✓	✓	✓	✓
1080/25p	1920 x 1080	28.1	25.0	74.3	✓	✓	—	—	✓	✓	—	✓	✓	✓	✓
1080/30p	1920 x 1080	33.8	30.0	74.3	✓	✓	—	—	✓	✓	—	✓	✓	✓	✓
1080/60p	1920 x 1080	67.5	60.0	148.5	✓	✓	—	—	✓	✓	—	—	✓	✓	✓
1080/50p	1920 x 1080	56.3	50.0	148.5	✓	✓	—	—	✓	✓	—	—	✓	✓	✓
640 x 480	640 x 480	31.5	59.9	25.2	✓	—	—	—	—	—	—	—	—	—	—
800 x 600	800 x 600	37.9	60.3	40.0	✓	—	—	—	—	—	—	—	—	—	—
1024 x 768	1024 x 768	39.6	50.0	51.9	✓	—	—	—	—	—	—	—	—	—	—
	1024 x 768	48.4	60.0	65.0	✓	—	—	—	—	—	—	—	—	—	—
	1024 x 768	81.4	100.0	113.3	—	—	—	✓	—	—	—	—	—	—	—
	1024 x 768	98.8	120.0	139.1	—	—	—	✓	—	—	—	—	—	—	—
1152 x 864	1152 x 864	53.7	60.0	81.6	✓	—	—	—	—	—	—	—	—	—	
1280 x 720	1280 x 720	37.1	49.8	60.5	✓	—	—	—	—	—	—	—	—	—	—
	1280 x 720	44.8	59.9	74.5	✓	—	—	—	—	—	—	—	—	—	—
	1280 x 720	76.3	100.0	131.8	—	—	—	✓	—	—	—	—	—	—	—
	1280 x 720	92.6	120.0	161.6	—	—	—	✓	—	—	—	—	—	—	—
1280 x 768	1280 x 768	39.6	49.9	65.3	✓	—	—	—	—	—	—	—	—	—	—
	1280 x 768	47.8	59.9	79.5	✓	—	—	—	—	—	—	—	—	—	—
	1280 x 768*2	47.4	60.0	68.3	✓	—	—	—	—	—	—	—	—	—	—
1280 x 800	1280 x 800	41.3	50.0	68.0	✓	—	—	—	—	—	—	—	—	—	—
	1280 x 800	49.7	59.8	83.5	✓	—	—	—	—	—	—	—	—	—	—
	1280 x 800*2	49.3	59.9	71.0	✓	—	—	—	—	—	—	—	—	—	—
1280 x 960	1280 x 960	60.0	60.0	108.0	✓	—	—	—	—	—	—	—	—	—	
1280 x 1024	1280 x 1024	52.4	50.0	88.0	✓	—	—	—	—	—	—	—	—	—	—
	1280 x 1024	64.0	60.0	108.0	✓	—	—	—	—	—	—	—	—	—	—
1366 x 768	1366 x 768	47.7	59.8	85.5	✓	—	—	—	—	—	—	—	—	—	—
	1366 x 768	39.6	49.9	69.0	✓	—	—	—	—	—	—	—	—	—	—
1400 x 1050	1400 x 1050	54.1	50.0	99.9	✓	—	—	—	—	—	—	—	✓	✓	—
	1400 x 1050	64.0	60.0	108.0	✓	—	—	—	—	—	—	—	✓	✓	—
	1400 x 1050	65.2	60.0	122.6	✓	—	—	—	—	—	—	—	✓	✓	—
	1400 x 1050	65.3	60.0	121.8	✓	—	—	—	—	—	—	—	✓	✓	—
1440 x 900	1440 x 900	55.9	59.9	106.5	✓	—	—	—	—	—	—	—	—	—	—
	1440 x 900	46.3	49.9	86.8	✓	—	—	—	—	—	—	—	—	—	—
1600 x 900	1600 x 900	46.4	49.9	96.5	✓	—	—	—	—	—	—	—	—	—	—
	1600 x 900	55.9	60.0	119.0	✓	—	—	—	—	—	—	—	—	—	—
1600 x 1200	1600 x 1200	75.0	60.0	162.0	✓	—	—	—	—	—	—	—	—	—	—
	1600 x 1200	61.8	49.9	131.5	✓	—	—	—	—	—	—	—	—	—	—
1680 x 1050	1680 x 1050	65.3	60.0	146.3	✓	—	—	—	—	—	—	—	—	—	—
	1680 x 1050	54.1	50.0	119.5	✓	—	—	—	—	—	—	—	—	—	—
1920 x 1080	1920 x 1080	55.6	49.9	141.5	✓	—	—	—	—	—	—	—	—	—	—
	1920 x 1080*2	66.6	59.9	138.5	✓	—	—	—	—	—	—	—	—	—	—
1920 x 1200	1920 x 1200	61.8	49.9	158.3	✓	—	—	—	—	—	—	—	✓	✓	—
	1920 x 1200*2	74.0	60.0	154.0	✓	—	✓	—	—	—	—	—	✓	✓	—

\*1 Supports half.

\*2 VESA CVT RB (Reduced Blanking) compliant

**Note**

- DIGITAL LINK input compatible signal is the same as HDMI input compatible signal.