

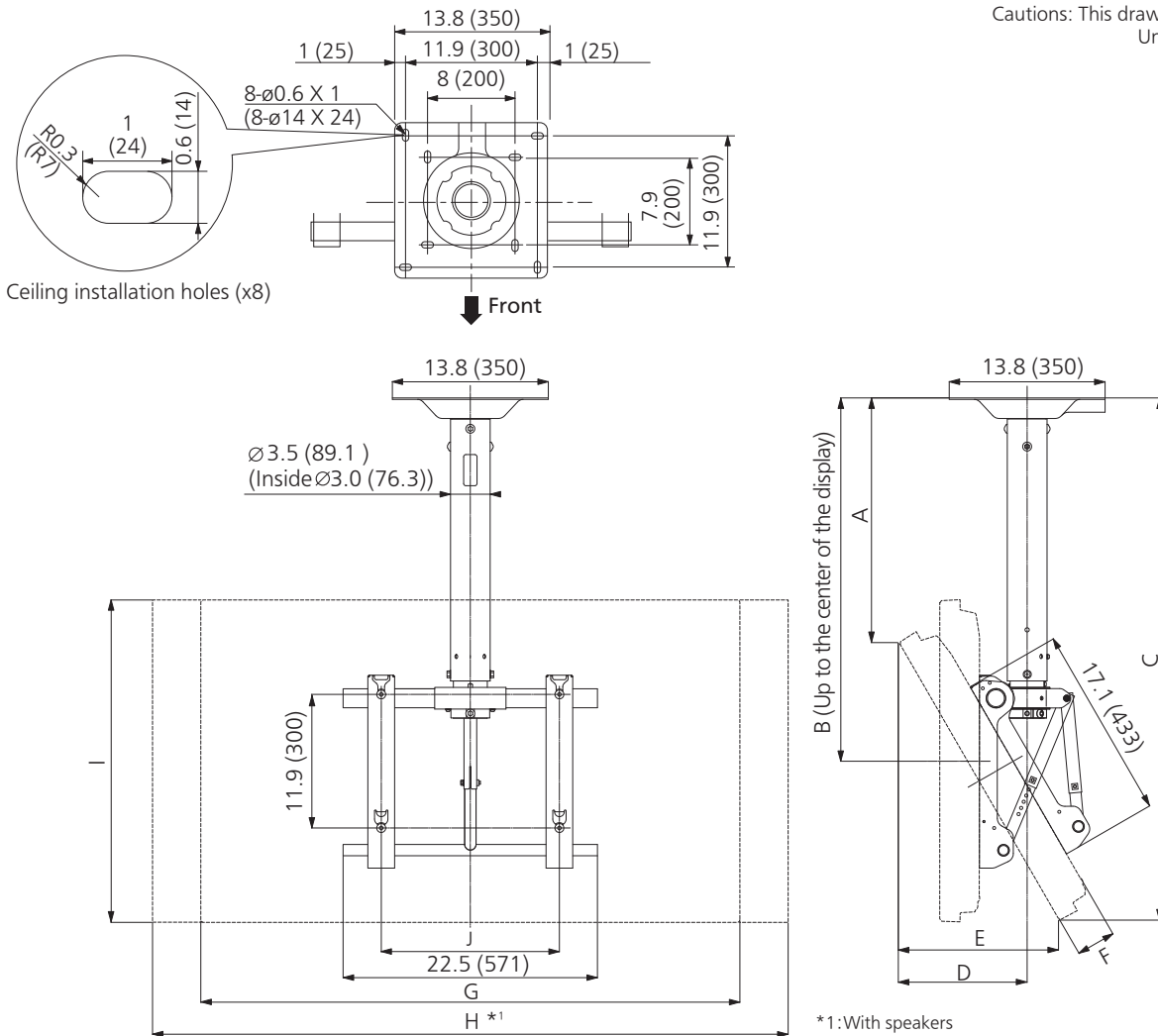
TY-CE42PS20

Product specification (design and specification subject to change without notice)

Dimensions (WxHxD)	22.5" x 41.7" x 13.8" (571 x 1057 x 350 mm)
Weight	35.3 lbs (16 kg)
Carton Dimensions (WxHxD)	45.4" x 15.2" x 23.8" (1151 x 386 x 604 mm)
Gross weight	57.4 lbs (26 kg)
Accessories	- Bolt for fixing upper and lower sections M8×12 (2) - Screw for securing unit M5×35 (2) - Through bolt for fixing upper and lower sections M8×100 (1) - Spring washer M8 (1) - Washer pan nut M8 (1) - Allen head countersunk screw M8×32 (4) - Dished toothed washer (4) - Insulation spacer (4) - Ceiling cover (1) - Truss tapping screw (3) - Rotation stop screw M6×8 (1) - Spring washer M6 (1) - Allen wrench(included tool) (1) - Clamper (2)
UPC Code	885170012288

DIMENSIONS

Cautions: This drawing is not a scale
 Units : inches (mm)



* Applicable for 20 series and future models.

Units : inches (mm)

	Angle adjustment	0°				15°				30°			
	Height adjustment	+0	+100	+200	+300	+0	+100	+200	+300	+0	+100	+200	+300
50"	A	18.0 (457)	22.0 (557)	25.9 (657)	29.8 (757)	19.6 (497)	23.5 (597)	27.5 (697)	31.4 (797)	21.7 (549)	25.6 (649)	29.5 (749)	33.5 (849)
	B	32.2 (816)	36.1 (916)	40.0 (1016)	44.0 (1116)	33.3 (844)	37.2 (944)	41.1 (1044)	45.1 (1144)	33.9 (861)	37.9 (961)	41.8 (1061)	45.7 (1161)
	C	46.3 (1176)	50.3 (1276)	54.2 (1376)	58.2 (1476)	47.0 (1192)	50.9 (1292)	54.8 (1392)	58.8 (1492)	46.2 (1173)	50.2 (1273)	54.1 (1373)	58.0 (1473)
	D	7.8 (197)				9.8 (249)				11.4 (289)			
	E	0 (0)				7.4 (186)				14.2 (360)			
	F	3.5 (89)											
	G	47.7 (1210)											
	H *1	56.2 (1427)											
	I	28.5 (724)											
	J	15.8 (400)											

	Angle adjustment	0°				15°				30°			
	Height adjustment	+0	+100	+200	+300	+0	+100	+200	+300	+0	+100	+200	+300
42"	A	20.3 (514)	24.2 (614)	28.2 (714)	32.1 (814)	21.8 (552)	25.7 (652)	29.6 (752)	33.6 (852)	23.6 (599)	27.6 (699)	31.5 (799)	35.4 (899)
	B	32.2 (816)	36.1 (916)	40.0 (1016)	44.0 (1116)	33.3 (844)	37.2 (944)	41.1 (1044)	45.1 (1144)	33.9 (861)	37.9 (961)	41.8 (1061)	45.7 (1161)
	C	44.1 (1119)	48.0 (1219)	52.0 (1319)	55.9 (1419)	44.8 (1137)	48.7 (1237)	52.7 (1337)	56.6 (1437)	44.3 (1123)	48.2 (1223)	52.1 (1323)	56.1 (1423)
	D	7.8 (197)				9.3 (235)				10.3 (261)			
	E	0 (0)				6.2 (157)				12.0 (303)			
	F	3.5 (89)											
	G	40.2 (1020)											
	H *1	48.5 (1230)											
	I	24.1 (610)											
	J	15.8 (400)											