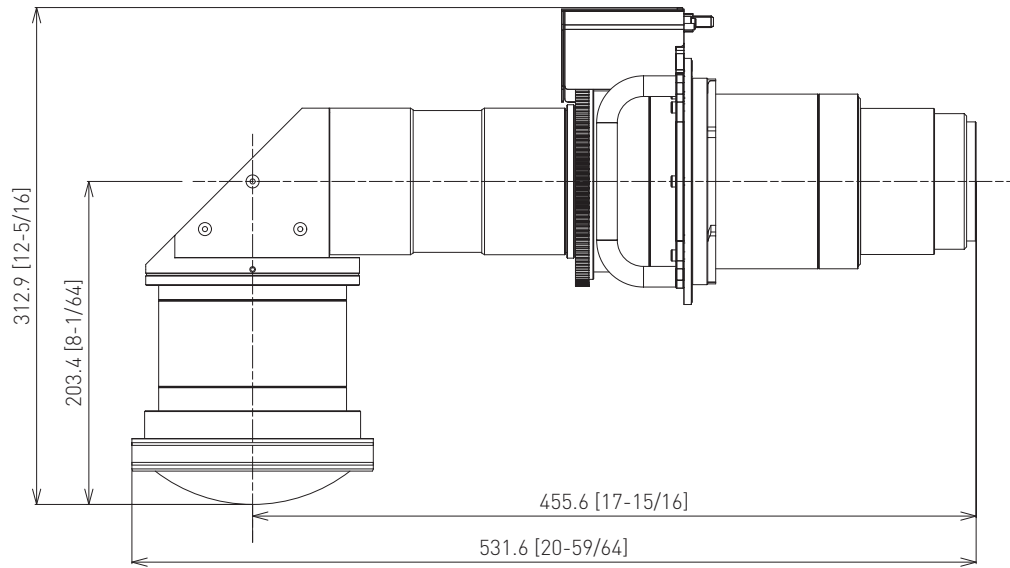
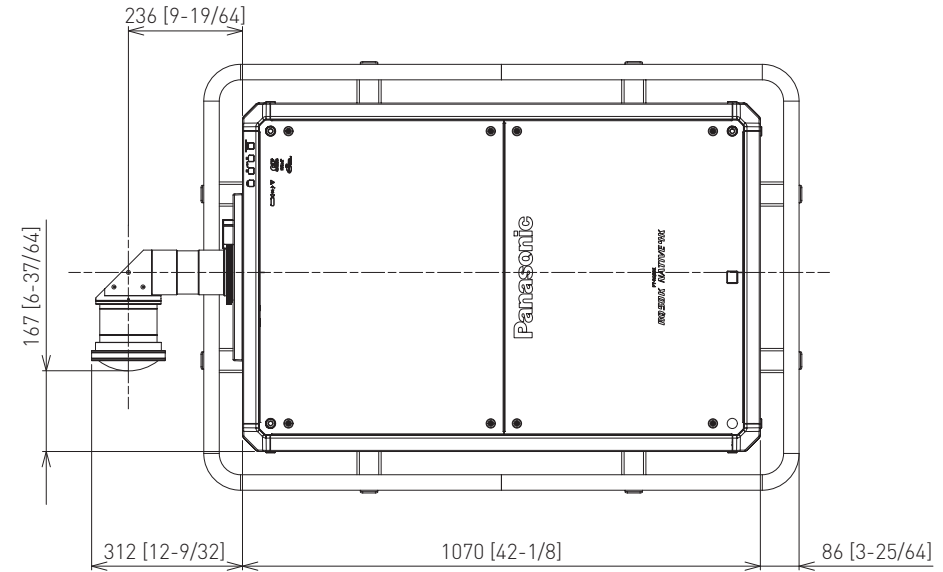
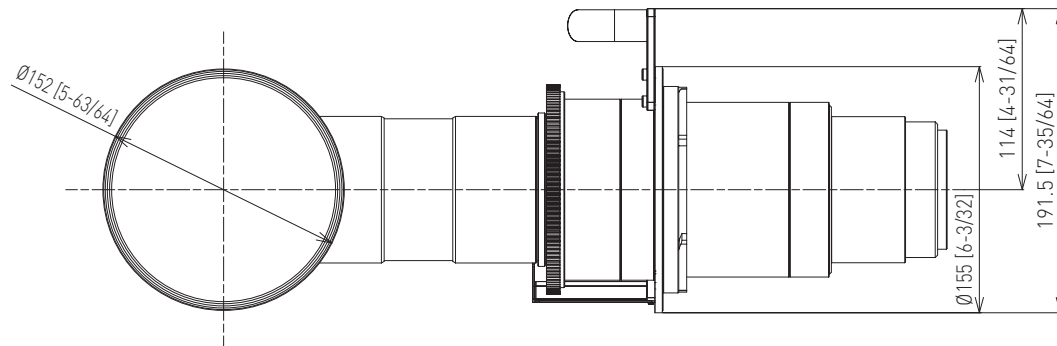


# Panasonic Lens

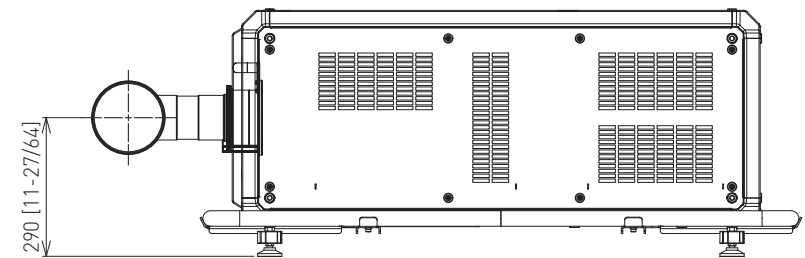
## ET-D3QW200



ET-D3QW200



ET-D3QW200+PT-RQ50K



mm [inches]

Design and specifications subject to change without notice.