

Panasonic

Wireless presentation system
USB-C Basic set

TY-WPSC1



Set content

Product name	Receiver	Transmitter	Case for Transmitter
Number	1	2	1
Carton dimensions	W250 x H134 x D180 mm (W9.85" x H5.28" x D7.09")		
Gross weight	2.0 kg / 4.2 lbs		
Accessories	Receiver mounting bracket, HDMI cable, Conversion adaptor for pairing, AC adapter, AC adapter conversion plug, AC adapter cable, Operating manual		

Receiver

● PRODUCT SPECIFICATION

(design and specification subject to change without notice)

SPECIFICATION	
Maximum output resolution / Frame rate	1920 x 1080/60p (max), 3840 x 2160/30p (max.)
Transmitter simultaneous connections	32
Simultaneous display sources	4
Data rate (Wired)	10/100/1000 (Mbps)
Data rate (Wireless)	Max.867 Mbps
Frequency band	5 GHz band 5,150 MHz - 5,250 MHz 36 40 44 48 Channel
Wireless standards	IEEE802.11a/n/ac
Security	WPA/WPA2/WPA3 (WPA3-Enterprise is not supported)
LED	White: Power Input LAN Connection WiFi Connection USB Connection
Reach (Max distance between transmitter and receiver)	30 m (When the line of sight/wave conditions are good)
Connection terminal	HDMI/USB-A (female)/RJ45 (LAN)

ELECTRICAL

Power requirements	DC 5 V/2 A
Power consumption (During image display)	10 W

MECHANICAL

Dimension	W120 x H26 x D81 mm (W4.71" x H1.03" x D3.19") (Excluding antenna)
Weight	approx. 181 g/0.4 lbs
Color	Black
Fan	None
Material	Plastic
Anti-theft	Security slot

ENVIRONMENTAL

Operating environment	Temperature: 0 °C to 35 °C (32 °F to 95 °F) Humidity: 20% to 80% (No condensation)
Storage environment	Temperature: -20 °C to 60 °C (-4 °F to 140 °F) Humidity: 20% to 80% (No condensation)

MAIN FEATURE

HDMI-CEC	Yes
Wireless Display	Yes (Firmware Version 1.14366.852 or later is compatible) ¹

AUTHENTICATION

CE, FCC, MIC

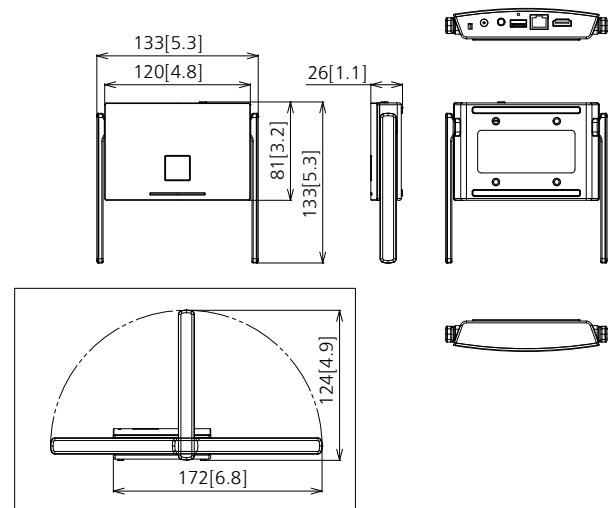
¹ Please contact your sales representative with regard to details.

● LIST OF CORRESPONDENCE SIGNALS

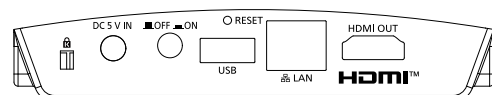
HDMI Output signal type		
3840x2160@30Hz RGB	1920x1080@60Hz	1280x800@60Hz
1920x1080@60Hz RGB	1920x1080@50Hz	1280x720@60Hz
4096x2160@24Hz	1920x1080@24Hz	1280x720@50Hz
3840x2160@30Hz	1280x1024@60Hz	1024x768@60Hz
3840x2160@25Hz	1280x960@60Hz	800x600@60Hz
3840x2160@24Hz		

● DIMENSIONS

Units : mm [inch]



● CONNECTION TERMINAL



Transmitter

PRODUCT SPECIFICATION

(design and specification subject to change without notice)

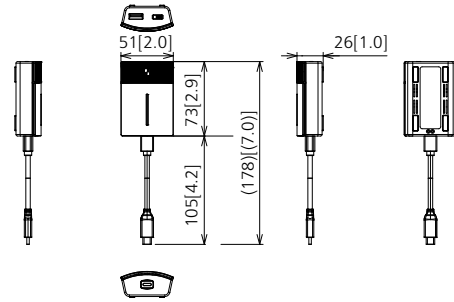
SPECIFICATION	
Maximum input resolution / Frame rate	1920 x 1080/60p (max.)
Data rate	Max.433 Mbps
Frequency band	5 GHz band 5,150 MHz - 5,250 MHz 36 40 44 48 Channel
Wireless standards	IEEE802.11ac
Security	WPA/WAP2/WPA3 (WPA3-Enterprise is not support)
Extended desktop	Yes
LED	(Main button) Red: Trying to connect White: Connecting Green: Display Blue: Fixed mode (Sub button) Green: Multi connection
Reach (Max distance between transmitter and receiver)	30 m (When the line of sight/wave conditions are good)
Connection terminal	USB-C (male)/USB-A (female)
ELECTRICAL	
Power requirements	DC 5 V/0.9 A
Power consumption (During image display)	4.5 W
MECHANICAL	
Dimension (not including cable)	W51 x H26 x D73 mm (W2.00" x H1.00" x D2.86")
(including cable)	W51 x H26 x D178 mm (W2.00" x H1.00" x D6.98")
Weight	approx. 110 g/ 0.3 lbs
Color	Black
Material	Plastic
Antibacterial	Yes
ENVIRONMENTAL	
Operating environment	Temperature: 0 °C to 35 °C (32 °F to 95 °F) Humidity: 20% to 80% (No condensation)
Storage environment	Temperature: -20 °C to 60 °C (-4 °F to 140 °F) Humidity: 20% to 80% (No condensation)
AUTHENTICATION	
CE, FCC, MIC	

LIST OF CORRESPONDENCE SIGNALS

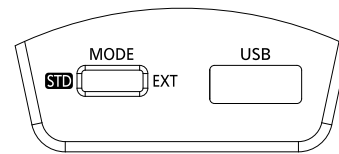
Input signal type	
1920x1080@60Hz	1280x720@60Hz
1920x1080@50Hz	1280x720@50Hz
1920x1080@30Hz	

DIMENSIONS

Units : mm [inch]



CONNECTION TERMINAL



Case for Transmitter

PRODUCT SPECIFICATION

(design and specification subject to change without notice)

SPECIFICATION	
Dimension (W x H x D)	W151.3 x H41.6 x D198.0 mm (6.0" x 1.7" x 7.8)
Weight	approx. 315 g/ 0.7 lbs
Color	Black
Material	Plastic
ENVIRONMENTAL	
Storage environment	Temperature: -20 °C to 60 °C (-4 °F to 140 °F) Humidity: 20% to 80% (No condensation)

