

Panasonic

Wireless presentation system
USB-C Transmitter

TY-WP2BC1W TY-WPBC1W



Set content

Number	TY-WP2BC1W	TY-WPBC1W
Set content	Transmitter x 2, Case for Transmitter	Transmitter x 1
Carton dimensions	W250 x H89 x D180 mm (W9.85" x H3.51" x D7.09")	W155 x H62 x D105 mm (W6.11" x H2.45" x D4.14")
Gross weight	1.2 kg / 2.64 lbs	345 g / 0.77 lb
Accessories	Conversion adaptor for pairing, Opretaing manual	

Transmitter

● PRODUCT SPECIFICATION

(design and specification subject to change without notice)

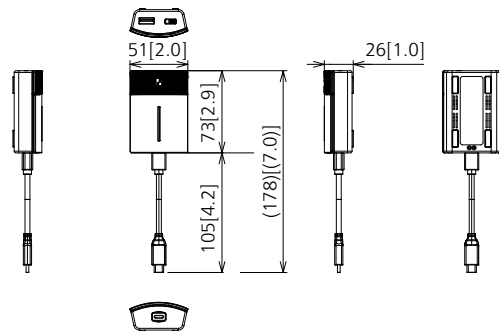
SPECIFICATION	
Maximum input resolution / Frame rate	1920 x 1080/60p (USB-C IN)
Data rate	Max.433 Mbps
Frequency band	5 GHz band 5,150 MHz - 5,250 MHz 36 40 44 48 Channel
Wireless standards	IEEE802.11ac
Security	WPA/WAP2/WPA3 (WPA3-Enterprise is not supported)
Extended desktop	Yes
LED	(Main button) Red: Trying to connect White: Connecting Green: Display Blue: Fixed mode (Sub button) Green: Multi connection
Reach (Max distance between transmitter and receiver)	30 m (When the line of sight/wave conditions are good)
Connection terminal	USB-C (female)/USB-A (male)
ELECTRICAL	
Power requirements	DC 5 V/0.9 A
Power consumption (During image display)	4.5 W
MECHANICAL	
Dimension (not including cable)	W51 x H26 x D73 mm [W2.00" x H"1.00 x D2.86"]
(including cable)	W51 x H26 x D178mm [W2.00" x H"1.00 x D6.98"]
Weight	approx. 110 g/ 0.3 lbs
Color	Black
Material	Plastic
Antibacterial	Yes
ENVIRONMENTAL	
Operating environment	Temperature: 0 °C to 35 °C (32 °F to 95 °F) Humidity: 20% to 80% (No condensation)
Storage environment	Temperature: -20 °C to 60 °C (-4 °F to 140 °F) Humidity: 20% to 80% (No condensation)
AUTHENTICATION	
CE, FCC, MIC	

● LIST OF CORRESPONDENCE SIGNALS

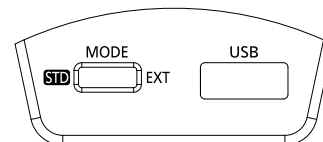
USB-C input signal type	
1920x1080@60Hz	1280x720@60Hz
1920x1080@50Hz	1280x720@50Hz
1920x1080@30Hz	

● DIMENSIONS

Units : mm [inch]



● CONNECTION TERMINAL



Case for Transmitter

● PRODUCT SPECIFICATION

Units : mm [inch]

(design and specification subject to change without notice)

SPECIFICATION

Dimension (W x H x D)	W151.3 x H41.6 x D198.0 mm (6.0" x 1.7" x 7.8)
Weight	approx.315 g/ 0.7 lbs
Color	Black
Material	Plastic
ENVIRONMENTAL	
Storage environment	Temperature: -20 °C to 60 °C (-4 °F to 140 °F) Humidity: 20% to 80% (No condensation)

