



55-inch Super Narrow Bezel LCD Display

TH-55LHV50W

● Product specification (design and specification subject to change without notice)

■ DISPLAY PANEL

Screen Size (Diagonal)	55-inch (1387.8 mm)
Panel type	D-LED
Aspect ratio	16:9
Effective Display Area (W x H)	1209.6 x 680.4 mm
Number of pixels (H x V)	1920 x 1080 pixels
Brightness	800 cd/m ² (Typ)
Contrast Ratio	1400:1
Dynamic Contrast Ratio	500000:1
Response Time	10 ms (G to G)
Viewing Angle (Horizontal/Vertical)	178°/178°
Panel Life Time	approx. 60000 hours*
Panel Surface Treatment	Anti-reflection

*An approximate time until the panel brightness decreases to half of its original value.

■ CONNECTION TERMINAL

VIDEO IN	BNC x 1	1.0 Vp-p (75Ω)
AUDIO IN (L/R)	Pin jack x 1 set (Side) (Shared with Component IN)	0.5 Vrms
HDMI IN	HDMI TYPE A x 1	
Component IN	BNC x 3	Y : 1.0 Vp-p (75Ω) P _B : 0.7 Vp-p (75Ω) P _R : 0.7 Vp-p (75Ω)
AUDIO IN (L/R)	Pin jack x 1 set (Side) (Shared with VIDEO IN)	0.5 Vrms
DVI-D IN	DVI-D 24 Pin x 1	
AUDIO IN (L/R)	Stereo mini jack (M3) x 1 (Shared with PC IN)	0.5 Vrms
PC IN	Mini D-sub 15pin x1 (Female)	R/G/B : 0.7 Vp-p (75Ω) H/CS/V : TTL (2.2kΩ) SQG : 1.0 Vp-p (75Ω)
AUDIO IN (L/R)	Stereo mini jack (M3) x 1 (Shared with DVI-D IN)	0.5 Vrms
DVI-I OUT	DVI-I 29pin x 1	
AUDIO OUT (L/R)	Pin jack x 1 set	

■ CONTROL

SERIAL IN/OUT	D-sub 9pin x 1/D-sub 9pin x 1, RS-232C COMPATIBLE
LAN	RJ45 x 1 (Web browser control only)
IR TRANSMITTER IN/OUT	IR x 1 / x 1

■ AUDIO

Speaker OUT	External Speaker Terminal, 20W [10W/8Ω + 10W/8Ω]
-------------	--

■ ELECTRICAL

Power Requirements	220 - 240 V AC, 50/60 Hz. TAIWAN: 110V AC, 60Hz (for Taiwan only)
Power Consumption	320 W
Stand-by condition	approx. 0.5 W

■ MECHANICAL

Dimensions (W x H x D)	1215.5 x 686.3 x 121.2 mm
Carton Dimensions (W x H x D)	1551 x 979 x 450 mm
Weight	approx. 36.0 kg
Gross weight	approx. 48.0 kg
Bezel Width	3.4 mm (left/top), 1.9 mm (right/bottom)
Bezel to Bezel	5.3 mm (Multi screen)
Cabinet Material / Color	Metal / Black
Pitch for Wall-Hanging	VESA Compliant 400 x 400 mm (Installed by: M6 screws / Screw hole depth 16.3 mm)

■ INSTALLATION REQUIREMENT

Orientation	Landscape/Portrait
Tilting Angle	Vertical only

*Please contact your sales representative with regard to the tilt angle before installation.

■ ENVIRONMENTAL

Operating environment	Temperature	: 0 °C to 40 °C
	Humidity	: 10 % to 90 % (Non condensation)
Storage environment	Temperature	: -20 °C to 60 °C
	Humidity	: 10 % to 90 % (Non condensation)

*Depending on the temperature or humidity conditions, uneven brightness may be observed. This is not a malfunction.
• This unevenness will disappear while applying current continuously. If not, consult the distributor.

MAIN FEATURE

Multi Screen	Yes (N x M, up to 5 x 5)
Daisy Chain	Yes (DVI MAX 10 units)*1
Remote Daisy Chain	Yes (MAX 25 units)
Serial Control Daisy Chain	Yes (MAX 25 units)
1:1 Pixel mode	Yes
Automatic Picture Position	Yes
Screen Saver	Yes
PC/DVI Power Management	Yes
Remote Operation lock	Yes
Orientation Landscape / Portrait	Yes
Power-on Screen Delay	Yes
Seam Hides Video Off Mode	Yes
Heat Status	Yes
Operating Time*2	24h/7d
Color Calibration	Done

*1: HDCP can be supported for up to 8 displays.

*2: In case of running for a long time, the moving image is recommended to be displayed. If you display a still picture for an extended period, the image retention might remain on the screen. However, image retention can gradually disappear by displaying a moving images.

OPTIONAL ACCESSORIES

Remote Control Kit	TY-RM50VW
Cover Frame Kit	TY-CF55VW50
Installation Mount	TY-VK55LV1

STANDARD (CERTIFICATIONS)

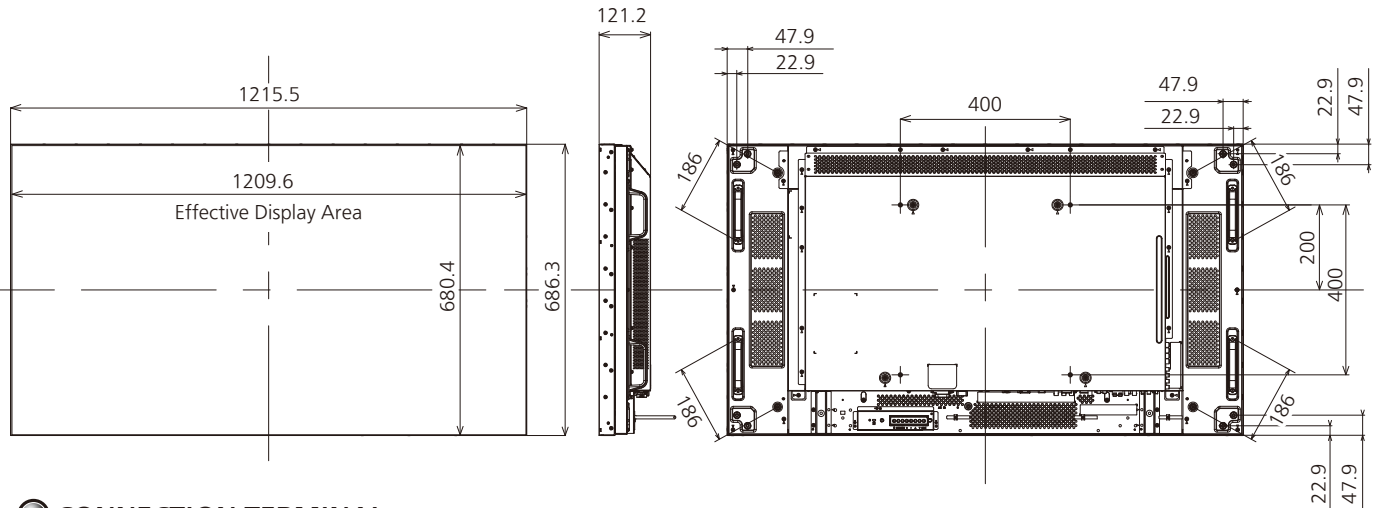
SAFETY REGULATIONS	AS / NZS60950-1, SASO, IEC60950-1 / SS, / PAI, EN60950-1, GOST, BSMI
RADIATION REGULATIONS	EN55022 Class-A, EN55024, EN61000-3-2, EN61000-3-3, CISPR22 Class-A

INCLUDED ACCESSORIES

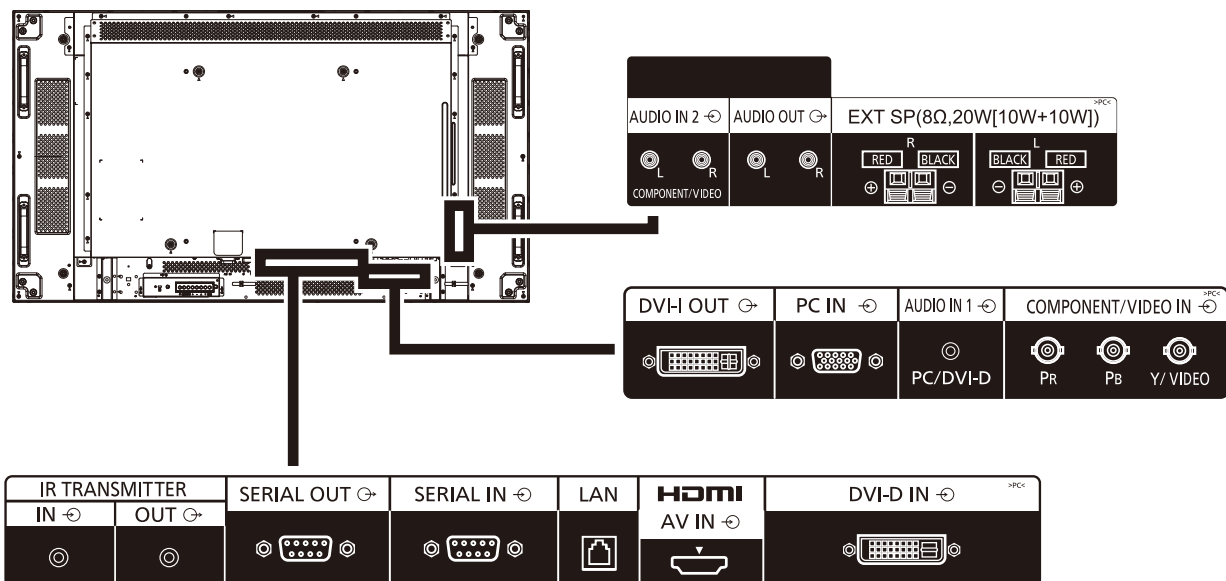
- AC power cord
- Operating instruction book
- DVI Cable
- Wire clampers
- Connector cable of remote control
- CD-ROM (Operation instruction)

DIMENSIONS

Cautions: This drawing is not a scale
Units : mm



CONNECTION TERMINAL



● INPUT MODE

PC Resolution:

Standard Resolution	Active Resolution		Refresh Rate	Dot Clock	Aspect Ratio	Stand for Mode
	H Pixels	V Lines				
VGA	640	480	60 Hz	25.175 MHz	4:3	Video Graphic Array
		480	72 Hz	31.5 MHz		
		480	75 Hz	31.5 MHz		
WVGA	720	400	70 Hz	33.75 MHz	16:9	Wide Video Graphic Array
SVGA	800	600	60 Hz	40 MHz	4:3	Super VGA
		600	75 Hz	49.5 MHz		
XGA	1024	768	60 Hz	65 MHz	4:3	Extended Graphic Array
		768	75 Hz	78.75 MHz		
WXGA	1280	768	60 Hz	79.5 MHz	5:3	Wide XGA
WXGA	1280	800	60 Hz	79.5 MHz	16:10	Wide XGA
SXGA	1280	960	60 Hz	108 MHz	4:3	Super XGA
SXGA	1280	1024	60 Hz	108 MHz	5:4	Super XGA
WXGA	1360	768	60 Hz	85.5 MHz	16:9	Wide XGA
WXGA	1366	768	60 Hz	85.5 MHz	16:9	Wide XGA
UXGA	1600	1200	60 Hz	162 MHz	4:3	Ultra XGA
HD1080	1920	1080	60 Hz	148.5 MHz	16:9	HD1080

SDTV Resolution:

Standard Resolution	Active Resolution		Refresh Rate	Dot Clock	Aspect Ratio	Stand for Mode
	H Pixels	V Lines				
480i	720	480	29.97 Hz	13.5 MHz	4:3	Modified NTSC
480p			59.94 Hz	27 MHz		Standard
576i	720	480	25 Hz	13.5 MHz	4:3	Modified PAL
576p			50 Hz	27 MHz		Standard

HDTV Resolution:

Standard Resolution	Active Resolution		Refresh Rate	Dot Clock	Aspect Ratio	Stand for Mode
	H Pixels	V Lines				
720p	1280	720	50 Hz	74.25 MHz	16:9	Normally DVB Mode
			60 Hz			
1080i	1920	1080	25 Hz	74.25 MHz	16:9	Normally ATSC Mode
			30 Hz			
1080p	1920	1080	50 Hz	148.5 MHz	16:9	Normally ATSC Mode
			60 Hz			

- The PC text quality is optimum in HD 1080 mode (1920 x 1080, 60 Hz).
- Your PC display screen might appear different depending on the manufacture (and your particular version of Windows).
- Check your PC instruction book for information about connecting your PC to a monitor.
- If a vertical and horizontal frequency-select mode exists, select 60 Hz (vertical) and 31.5 KHz (horizontal). In some cases, abnormal signals (such as stripes) might appear on the screen when the PC power is turned off (or if the PC is disconnected). If so, press the [INPUT] button to enter the video mode. Also, make sure that the PC is connected.
- When horizontal synchronous signals seem irregular in RGB mode, check PC power saving mode or cable connections.
- The display settings table complies to the IBM/VESA standards, and based on the analog input.
- The DVI support mode is regarded as same to the PC support mode.
- The best timing for the vertical frequency to each mode is 60 Hz.