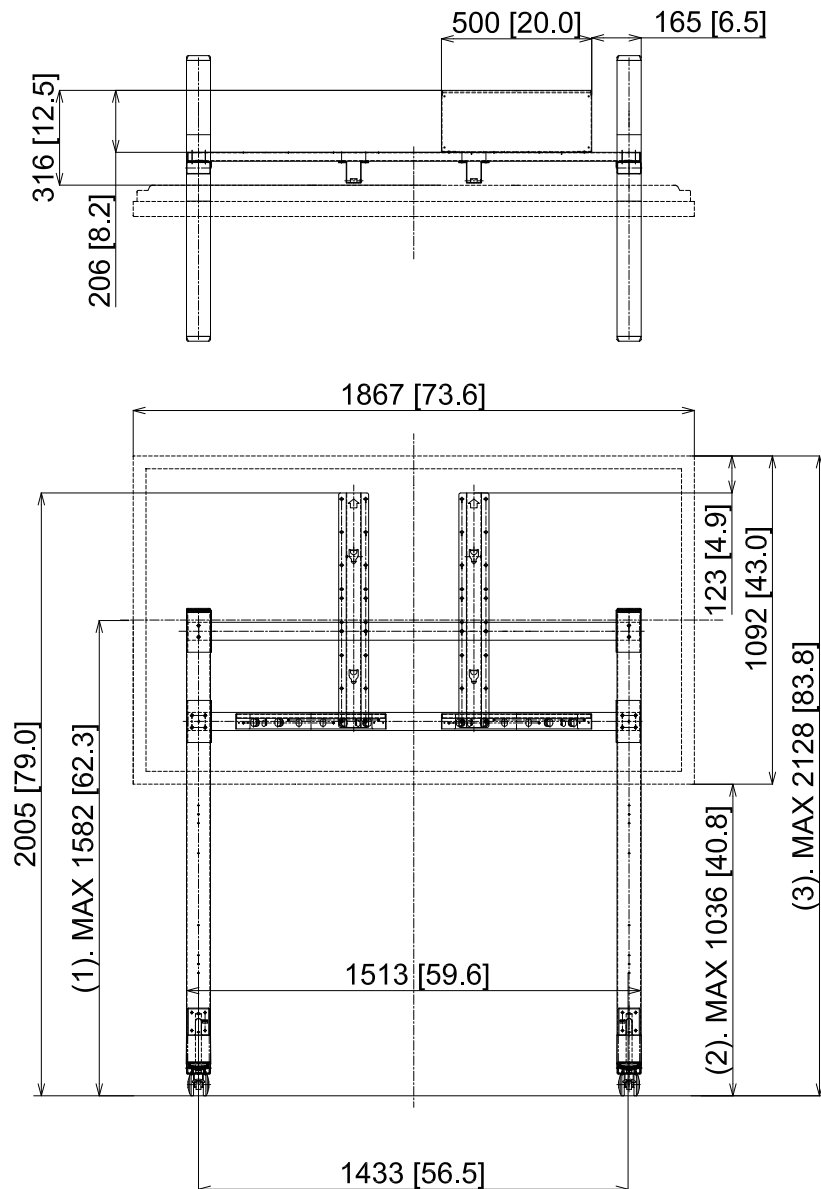


80-inch Multi Touch Screen LED Display with Mobile Stand

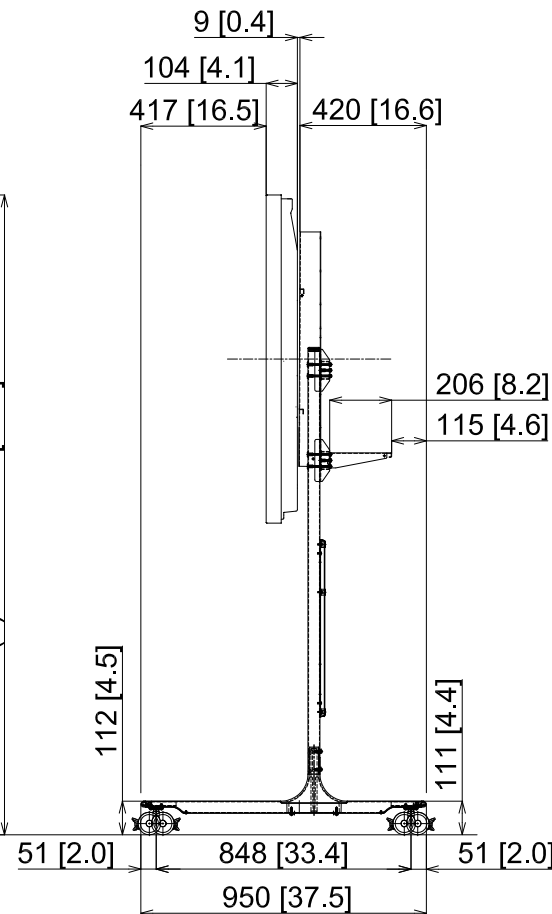
TH-80LFB70 + TY-ST80LF70

5-MARCH-2014



Distance from the floor surface

	①	②	③	④	⑤
(1). Display Center	1142 [44.9]	1252 [49.3]	1362 [53.6]	1472 [58.0]	1582 [62.3]
(2). Display Bottom	596 [23.5]	706 [27.8]	816 [32.2]	926 [36.5]	1036 [40.8]
(3). Display Top	1688 [66.5]	1798 [70.8]	1908 [75.2]	2018 [79.5]	2128 [83.8]



Unit : mm [inches]

Design and specifications subject to change without notice.

© Panasonic Corporation 2014