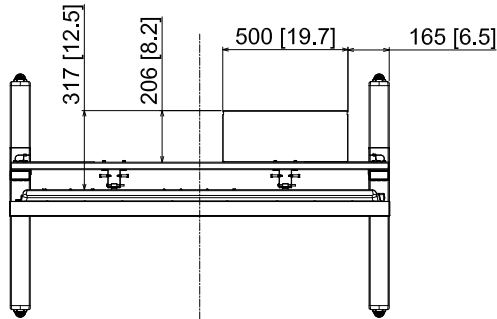


# 65-inch Multi Touch Screen LED Display with Mobile Stand

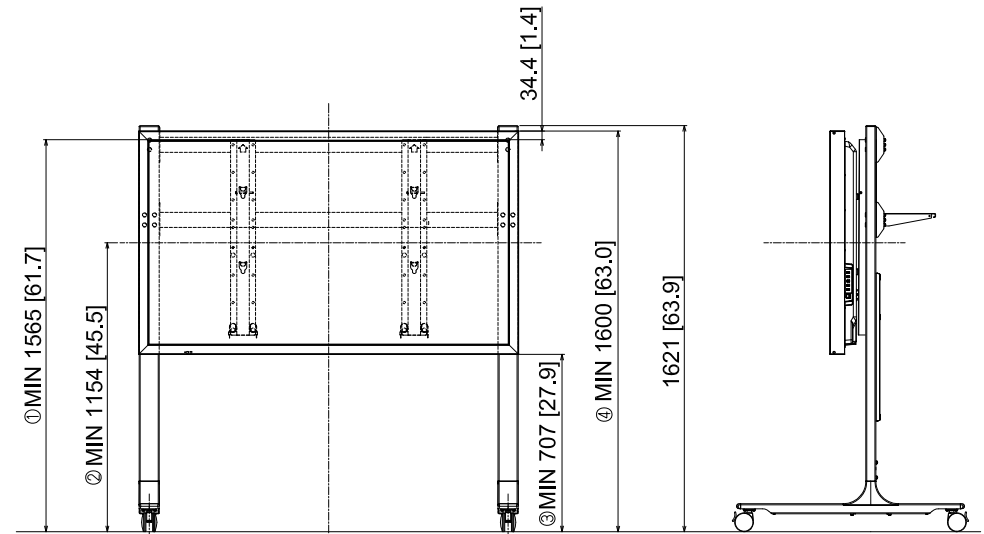
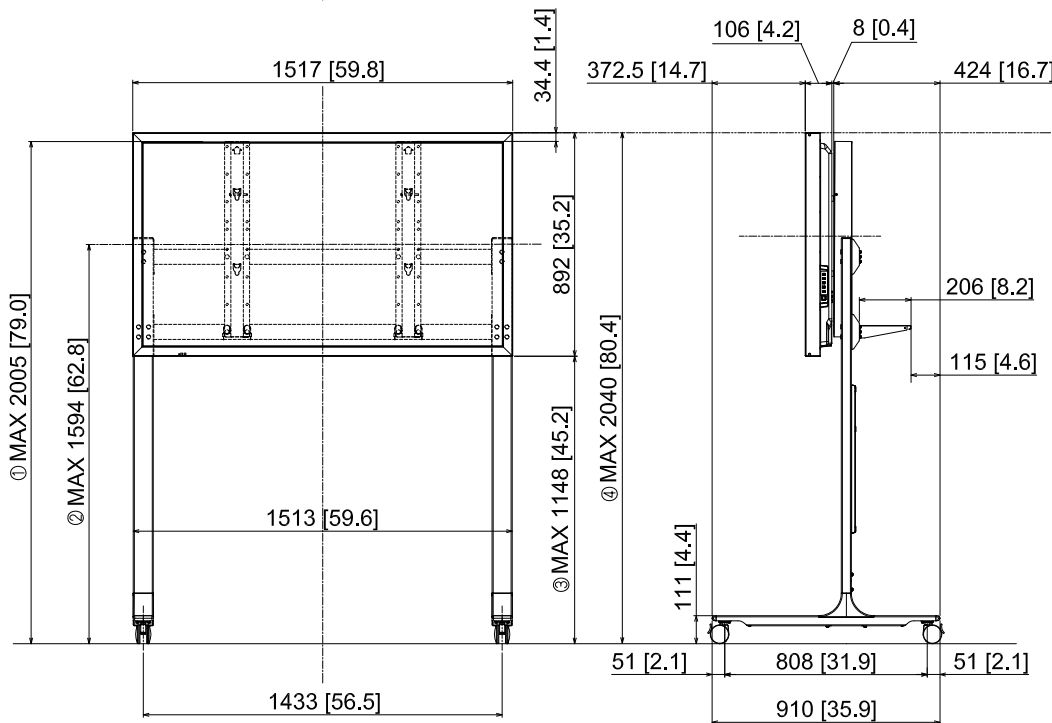
## TH-65LFB70 + TY-ST65PB2

24-MARCH-2014



	①	②	③	④	
Mounting bracket Screw holes Mark	E	2005 [79.0]	1594 [62.8]	1147 [45.2]	2040 [80.4]
	D	1895 [74.7]	1484 [58.5]	1037 [40.9]	1930 [76.0]
	C	1785 [70.3]	1374 [54.1]	927 [36.5]	1820 [71.7]
	B	1675 [66.0]	1264 [49.8]	817 [32.2]	1710 [67.4]
	A	1565 [61.7]	1154 [45.5]	707 [27.9]	1600 [63.0]

Unit : mm [inches]



Design and specifications subject to change without notice.

© Panasonic Corporation 2014