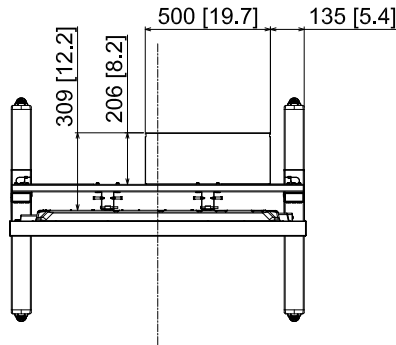


50-inch Multi Touch Screen LED Display with Mobile Stand

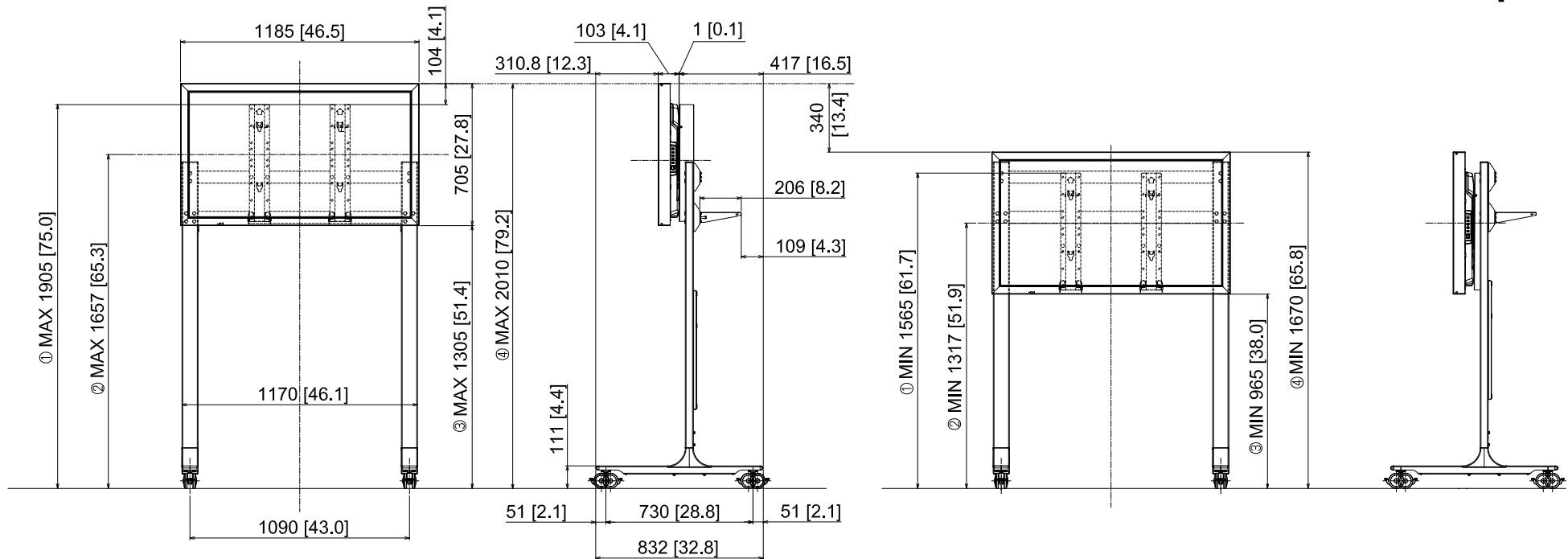
TH-50LFB70 + TY-ST50PB2

24-MARCH-2014



	①	②	③	④	
Mounting bracket Screw holes Mark	E	1905 [75.0]	1657 [65.3]	1305 [51.4]	2010 [79.2]
	D	1820 [71.7]	1572 [61.9]	1220 [48.1]	1925 [75.8]
	C	1735 [68.4]	1487 [58.6]	1135 [44.7]	1840 [72.5]
	B	1650 [65.0]	1402 [55.2]	1050 [41.4]	1755 [69.1]
	A	1565 [61.7]	1317 [51.9]	965 [38.0]	1670 [65.8]

Unit : mm [inches]



Design and specifications subject to change without notice.

© Panasonic Corporation 2014