

Dual Link HD-SDI Terminal Board with Audio

TY-FB11DHD

Product summary

High quality and high definition interface terminal board

- Supports Dual Link HD-SDI(meets SMPTE372M standard), and HD-SDI (meets SMPTE292M standard)
- Supports DCI 2K(RBG4:4:4/YPbPr 4:2:2 at 60p,50p) without image resolution conversion.
- Supports SMPTE audio (16ch)(this is only when the signal is multiplied to Dual Link HD-SDI Link: A)

*DCI refers to Digital Cinema Initiatives

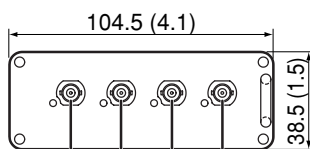
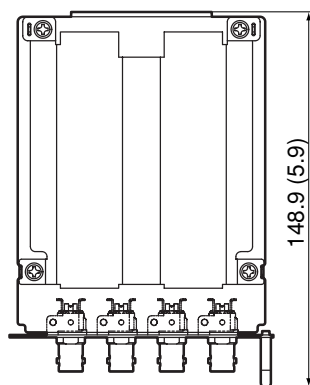
*The TY-FB11DHD supports from TH-**PF11 Series.

Product specification (design and specification subject to change without notice)

Slot Compatibility	
	3 Slot model Slot 1, Slot 2 (Slot 3 is not compatible)
INPUT	
IN	BNC x 2 :0.8 Vp-p (75 Ω)
OUT	BNC x 2 :Active through
Standards compliance	
VIDEO	SMPTE 375M / SMPTE 292M
AUDIO	SMPTE 299M / SMPTE 272M
Compatible audio format	
SD-SDI	48 kHz, 20/24 bit, 16 CH, Synchronized video
HD-SDI	48 kHz, 20/24 bit, 16 CH, Synchronized video / Un synchronized video
Weight	approx. 250 g (0.55 lbs.)
Included Accessories	Terminal function label x 1, Terminal board replacement instruction x 1, Screw x 4, Operating Instruction x 1

Recommended cable	
Dual Link HD-SDI/HD-SDI	75 Ω coaxial cable 5C-FB
Max. Transmission Distance	
Dual Link HD-SDI/HD-SDI	100 m (with coaxial cable: 20 dB at 100m (750 MHz))

Dimensions



DUAL B INPUT Terminal DUAL A / HD-SDI OUTPUT Terminal
 DUAL B OUTPUT Terminal DUAL A / HD-SDI INPUT Terminal

Cautions: This drawing is not a scale.
 Units : mm (inches)

■ Video signals supported

HD-SDI									
Signal format	Sampling format Number of pixel bits	fV (Hz)	fH (kHz)	Dot clock (MHz)	Number of active pixels	Total number of pixels	Number of active lines	Total number of lines	
1	750 (720) / 60p : 59.94p	YCbCr (4:2:2) / 10bit	60	45	74.25	1280	1650	720	750
2	750 (720) / 50p		50	37.5	74.25	1280	1980	720	750
3	1125 (1080) / 60i : 59.94i		60	33.75	74.25	1920	2200	1080	1125
4	1125 (1080) / 50i		50	28.125	74.25	1920	2640	1080	1125
5	1125 (1080) / 30p : 29.97p		30	33.75	74.25	1920	2200	1080	1125
6	1125 (1080) / 25p		25	28.125	74.25	1920	2640	1080	1125
7	1125 (1080) / 24p : 23.985p		24	27	74.25	1920	2750	1080	1125
8	1125 (1080) / 24sF : 23.985sF		48	27	74.25	1920	2750	1080	1125
Dual Link HD-SDI									
Signal format	Sampling format Number of pixel bits	fV (Hz)	fH (kHz)	Dot clock (MHz)	Number of active pixels	Total number of pixels	Number of active lines	Total number of lines	
1	1125 (1080) / 60i : 59.94i	60	33.75	74.25	1920	2200	1080	1125	
2	1125 (1080) / 50i	50	28.125	74.25	1920	2640	1080	1125	
3	1125 (1080) / 30p : 29.97p	30	33.75	74.25	1920	2200	1080	1125	
4	1125 (1080) / 25p	25	28.125	74.25	1920	2640	1080	1125	
5	1125 (1080) / 24p : 23.985p	24	27	74.25	1920	2750	1080	1125	
6	1125 (1080) / 24sF : 23.985sF	48	27	74.25	1920	2750	1080	1125	
7	1125 (1080) / 60p	60	67.5	74.25	1920	2200	1080	1125	
8	1125 (1080) / 50p	50	56.25	74.25	1920	2640	1080	1125	
9	2048 x 1080 / 24p : 23.985p	24	27	74.25	2048	2750	1080	1125	
10	2048 x 1080 / 24sF : 23.985sF	48	27	74.25	2048	2750	1080	1125	

*1: A (alpha channel) is not supported. This data cannot be output.

*2: Although 12-bit signals can be received, they are converted to 10-bit signals for display on-screen.

■ Audio signals supported

Only multiplexed audio connected to HD-SDI and Dual Link HD-SDI Link A is supported.
(The selection of multiplexed audio connected to Dual Link HD-SDI Link B is not supported.)

Signal format	Sampling frequency (kHz)	Number of bits	Audio channels (ch)	Synchronized/not synchronized with video signals
1125(1080)/60i:59.94i:50i:60p:50p 1125(1080)/30p:25p:24p:24sF:23.985sF 750(720)/60p:59.94p:50p	48	20bit/24bit	16	Synchronized or not synchronized