

Panasonic



Wall-hanging bracket (Vertical mounting type)

TY-WK70PV50

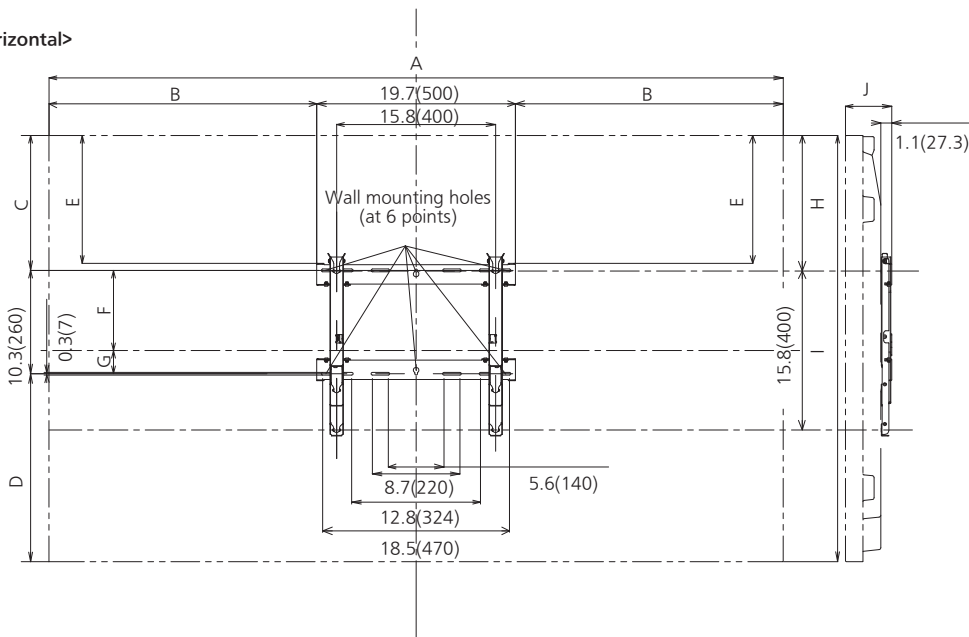
Product specification (design and specification subject to change without notice)

Dimensions (W x H x D)	19.7" x 18.2" x 1.2" (500 x 460 x 30 mm)
Weight	approx. 5.6 lbs. (2.5 kg)
Carton Dimensions (W x H x D)	23.7" x 5.2" x 2.6" (602 x 161 x 66 mm)
Gross weight	approx. 8.9 lbs. (4.0 kg)
Main parts	- Base upper fitting (1) / Base lower fitting (1) - Bracket base left fitting (1) - Bracket base right fitting (1) - Screws for assembling the fixture M4 x 8 (8)
Accessories	- Allen head countersunk screws M 8 x 32 (4) - Dished toothed washers (4) - Insulation spacers (4) - Screws for securing unit M 5 x 570 (Long) (2) / M 5 x 240 (Short) (2) - Positioning pads (2) - Allen wrench (included tool) (1)
UPC Code	885170113466

DIMENSIONS

Cautions: This drawing is not a scale
Units : inches (mm)

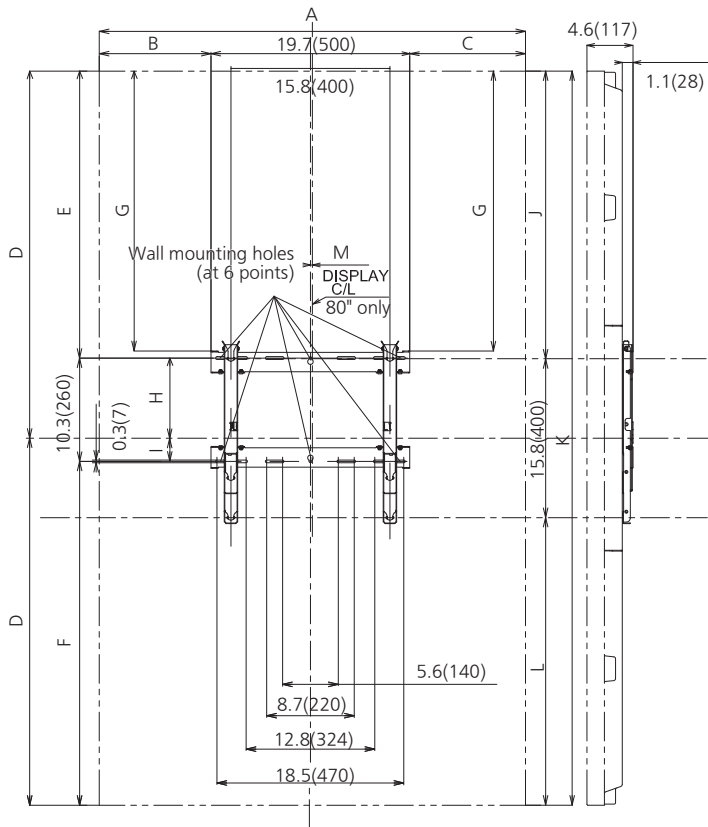
<Horizontal>



Dimension	TH-70LF50	TH-80LF50	TH-80LFB70	TH-80LFC70
A	63.2 (1604)	72.8 (1848)	73.6 (1868)	73.6 (1868)
B	21.8 (552)	26.6 (674)	27.0 (684)	27.0 (684)
C	10.4 (264)	13.4 (340)	13.8 (350)	13.8 (350)
D	16.1 (407)	18.7 (473)	19.0 (483)	19.0 (483)
E	9.7 (246.5)	12.7 (322.5)	13.1 (332.0)	13.1 (332.0)
F	8.0 (201.5)	7.8 (196.5)	7.8 (196.6)	7.8 (196.6)
G	2.3 (58.5)	2.5 (63.5)	2.5 (63.4)	2.5 (63.4)
H	10.5 (265.5)	13.5 (341.5)	13.9 (351.0)	13.9 (351.0)
I	36.7 (931)	42.3 (1073)	42.0 (1093)	42.0 (1093)
J	4.6 (116.3)	4.6 (116.3)	5.2 (131.3)	5.0 (126.3)

<Vertical>

Cautions: This drawing is not a scale
Units : inches (mm)



Dimension	TH-70LF50	TH-80LF50
A	36.7 (931)	42.3 (1073)
B	8.5 (215.5)	11.1 (281.5)
C	8.5 (215.5)	11.5 (291.5)
D	31.6 (802)	36.4 (924)
E	23.7 (600.5)	28.5 (722.5)
F	29.3 (743.5)	34.1 (665.5)
G	23 (583)	27.8 (705)
H	8.0 (201.5)	8.0 (201.5)
I	2.3 (58.5)	2.3 (58.5)
J	23.7 (602)	28.5 (724)
K	63.2 (1604)	72.8 (1848)
L		28.5 (724)
M		0.2 (5)