

Panasonic



Wall-hanging bracket (Vertical mounting type)

TY-WK70PV50

Product specification (design and specification subject to change without notice)

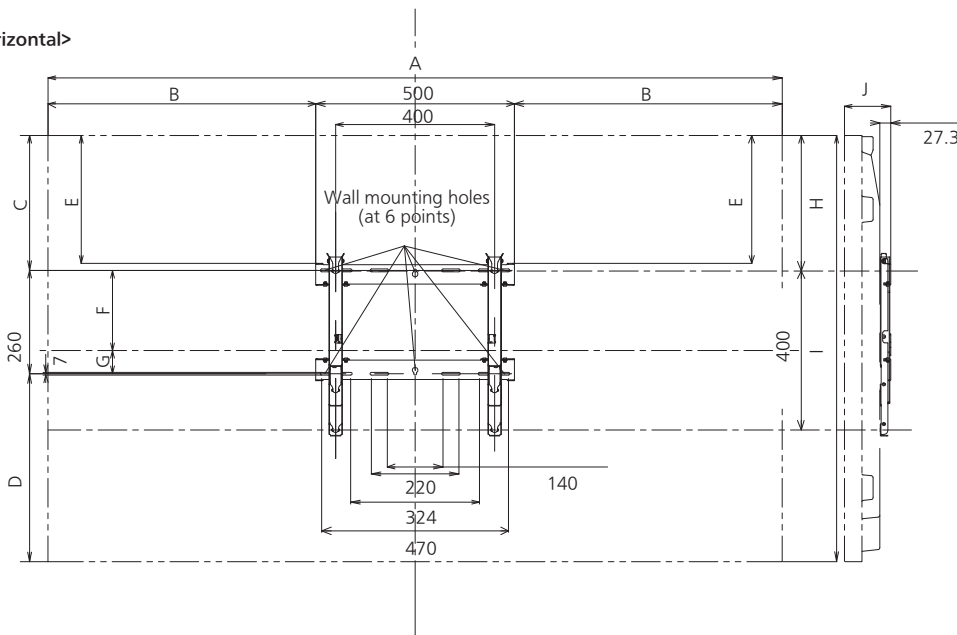
Dimensions (W x H x D)	500 x 460 x 30 mm
Weight	approx. 2.5 kg
Carton Dimensions (W x H x D)	602 x 161 x 66 mm
Gross weight	approx. 4.0 kg
Main parts	- Base upper fitting (1) / Base lower fitting (1) - Bracket base left fitting (1) - Bracket base right fitting (1) - Screws for assembling the fixture M4 x 8 (8)
Accessories	- Allen head countersunk screws M 8 x 32 (4) - Dished toothed washers (4) - Insulation spacers (4) - Screws for securing unit M 5 x 570 (Long) (2) / M 5 x 240 (Short) (2) - Positioning pads (2) - Allen wrench (included tool) (1)

DIMENSIONS

Cautions: This drawing is not a scale

Units : mm

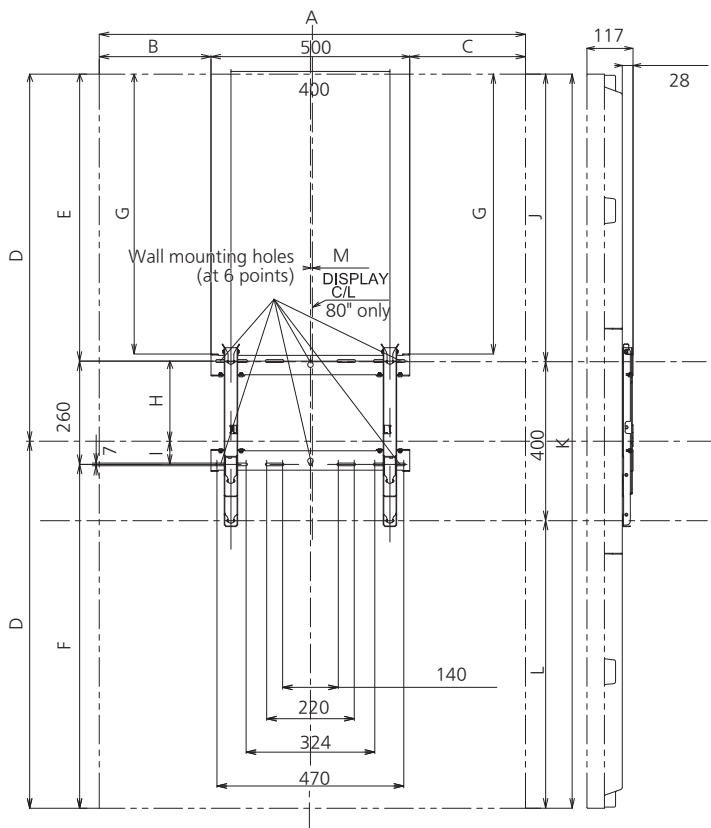
<Horizontal>



Dimension	TH-70LF50	TH-80LF50	TH-80LFB70	TH-80LFC70
A	1604	1848	1868	1868
B	552	674	684	684
C	264	340	350	350
D	407	473	483	483
E	246.5	322.5	332.0	332.0
F	201.5	196.5	196.6	196.6
G	58.5	63.5	63.4	63.4
H	265.5	341.5	351.0	351.0
I	931	1073	1093	1093
J	116.3	116.3	131.3	126.3

<Vertical>

Cautions: This drawing is not a scale
Units : mm



Dimension	TH-70LF50	TH-80LF50
A	931	1073
B	215.5	281.5
C	215.5	291.5
D	802	924
E	600.5	722.5
F	743.5	665.5
G	583	705
H	201.5	201.5
I	58.5	58.5
J	602	724
K	1604	1848
L		724
M		5