



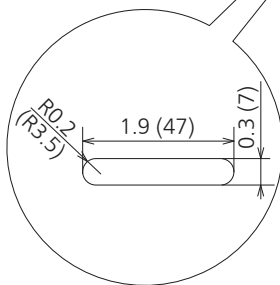
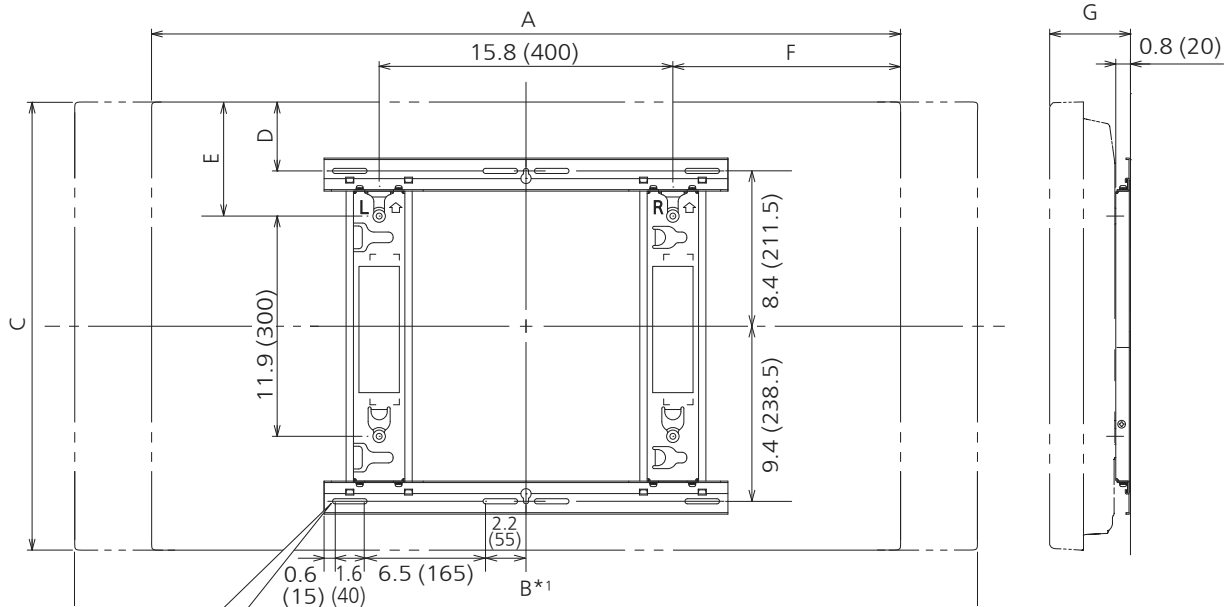
## Wall-hanging bracket TY-WK42PV20

### Product specification (design and specification subject to change without notice)

Dimensions (WxHxD)	21.7" x 19.1" x 0.8" (550 x 485 x 20 mm)
Weight	approx. 5.1 lbs (2.3 kg)
Carton Dimensions (WxHxD)	23.7" x 3.8" x 5.0" (602 x 95 x 126 mm)
Gross weight	approx. 8.9 lbs (4 kg)
Accessories	- Allen head countersunk screw (4) - Dished toothed washer (4) - Insulation spacer (4) - Screw for securing unit (long) (1) - Screw for securing unit (short) (1) - Allen wrench (included tool) (1)
UPC Code	885170012318

### DIMENSIONS

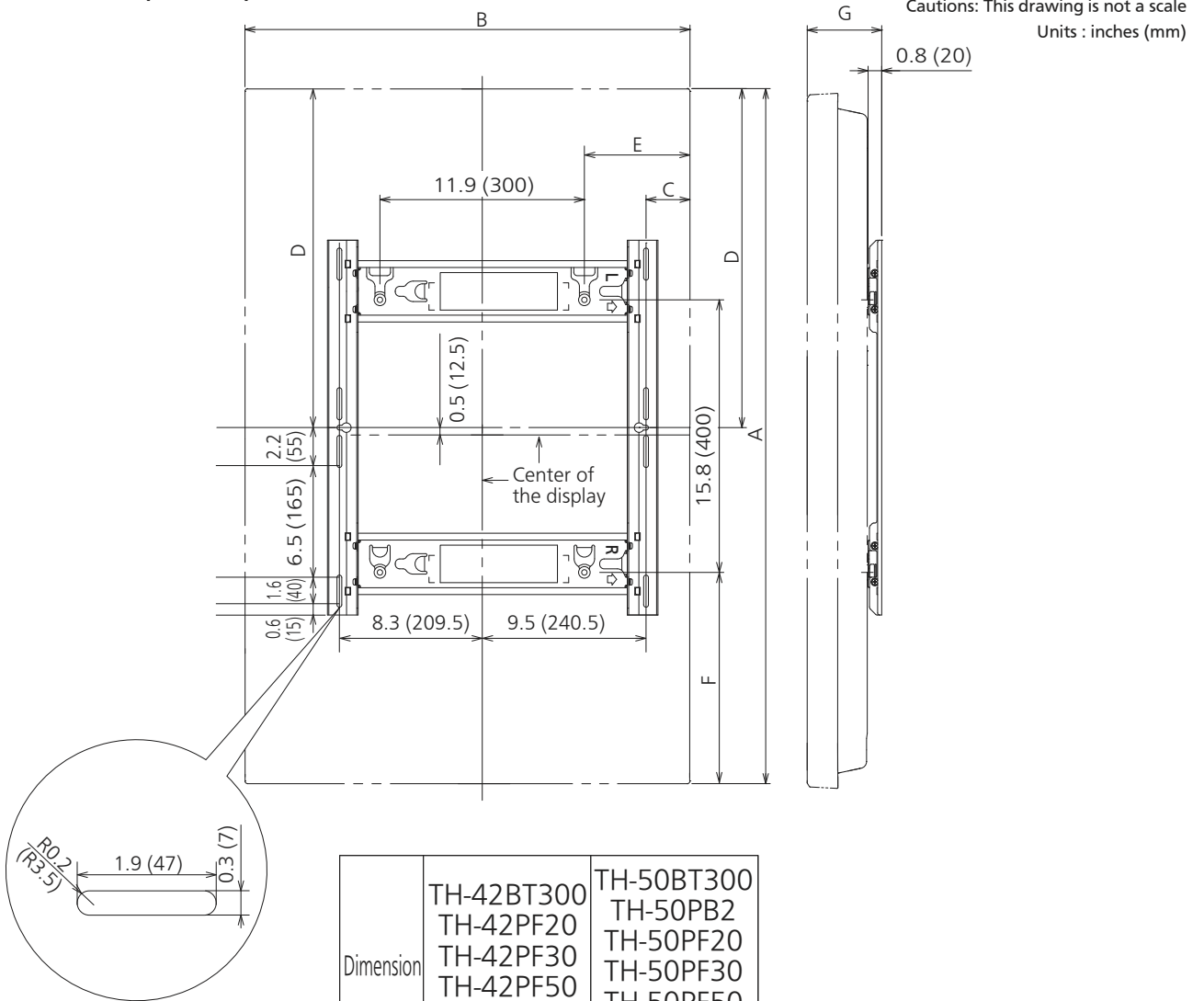
Cautions: This drawing is not a scale  
Units : inches (mm)



Dimension	TH-42BT300 TH-42PF20 TH-42PF30 TH-42PF50 TH-42PH20 TH-42PH30	TH-50BT300 TH-50PB2 TH-50PF20 TH-50PF30 TH-50PF50 TH-50PH20 TH-50PH30	TH-50LFB70	TH-50LFC70
A	40.2 (1020)	47.7 (1210)	46.7 (1185)	45.4 (1151)
B*1	48.5 (1230)	56.2 (1427)		
C	24.1 (610)	28.5 (724)	27.8 (705)	26.5 (672)
D	3.7 (93.5)	6.0 (150.5)	6.7 (169.7)	6.1 (153.2)
E	6.1 (155)	8.4 (212)	9.1 (231.2)	8.5 (214.7)
F	12.2 (310)	16.0 (405)	15.5 (392.5)	14.8 (375.5)
G	4.4 (110)	4.4 (110)	5 (124.8)	4.6 (115.3)

\*1 With speakers

**DIMENSIONS (Vertical)**



Dimension	TH-42BT300 TH-42PF20 TH-42PF30 TH-42PF50 TH-42PH20 TH-42PH30	TH-50BT300 TH-50PB2 TH-50PF20 TH-50PF30 TH-50PF50 TH-50PH20 TH-50PH30
A	40.2 (1020)	47.7 (1210)
B	24.1 (610)	28.5 (724)
C	2.6 (64.5)	4.8 (121.5)
D	19.6 (497.5)	23.4 (592.5)
E	6.1 (155)	8.4 (212)
F	12.2 (310)	16.0 (405)
G	4.4 (110)	4.4 (110)