



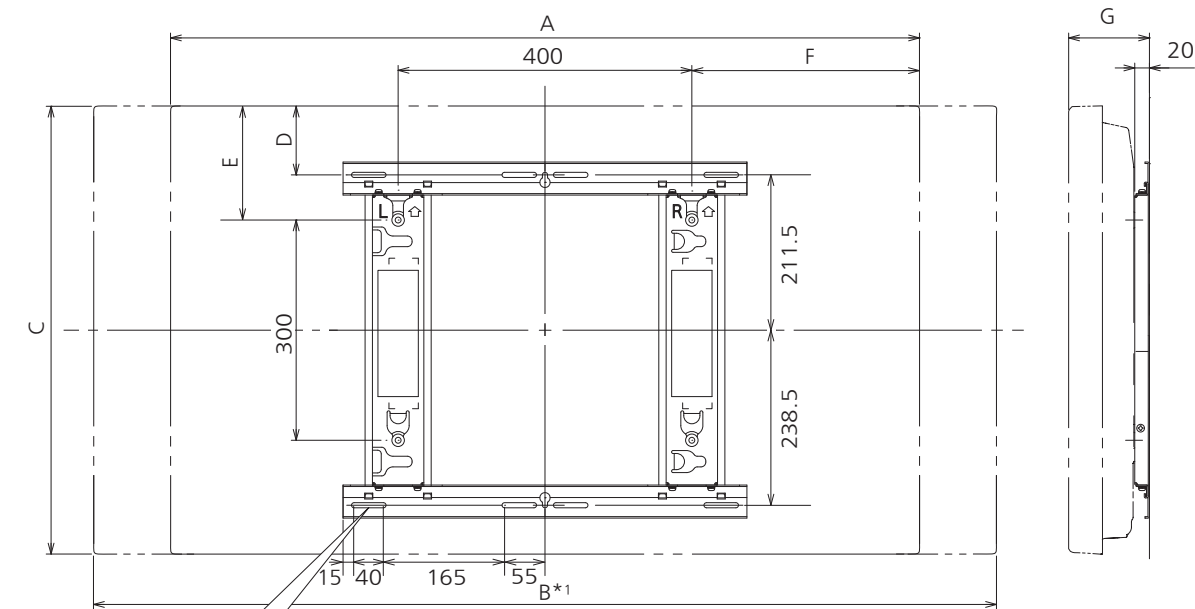
Wall-hanging bracket TY-WK42PV20

Product specification (design and specification subject to change without notice)

Dimensions (WxHxD)	550 x 485 x 20 mm
Weight	approx. 2.3 kg
Carton Dimensions (WxHxD)	602 x 95 x 126 mm
Gross weight	approx. 4 kg
Accessories	- Allen head countersunk screw (4) - Dished toothed washer (4) - Insulation spacer (4) - Screw for securing unit (long) (1) - Screw for securing unit (short) (1) - Allen wrench (included tool) (1)

DIMENSIONS

Cautions: This drawing is not a scale
Units : mm

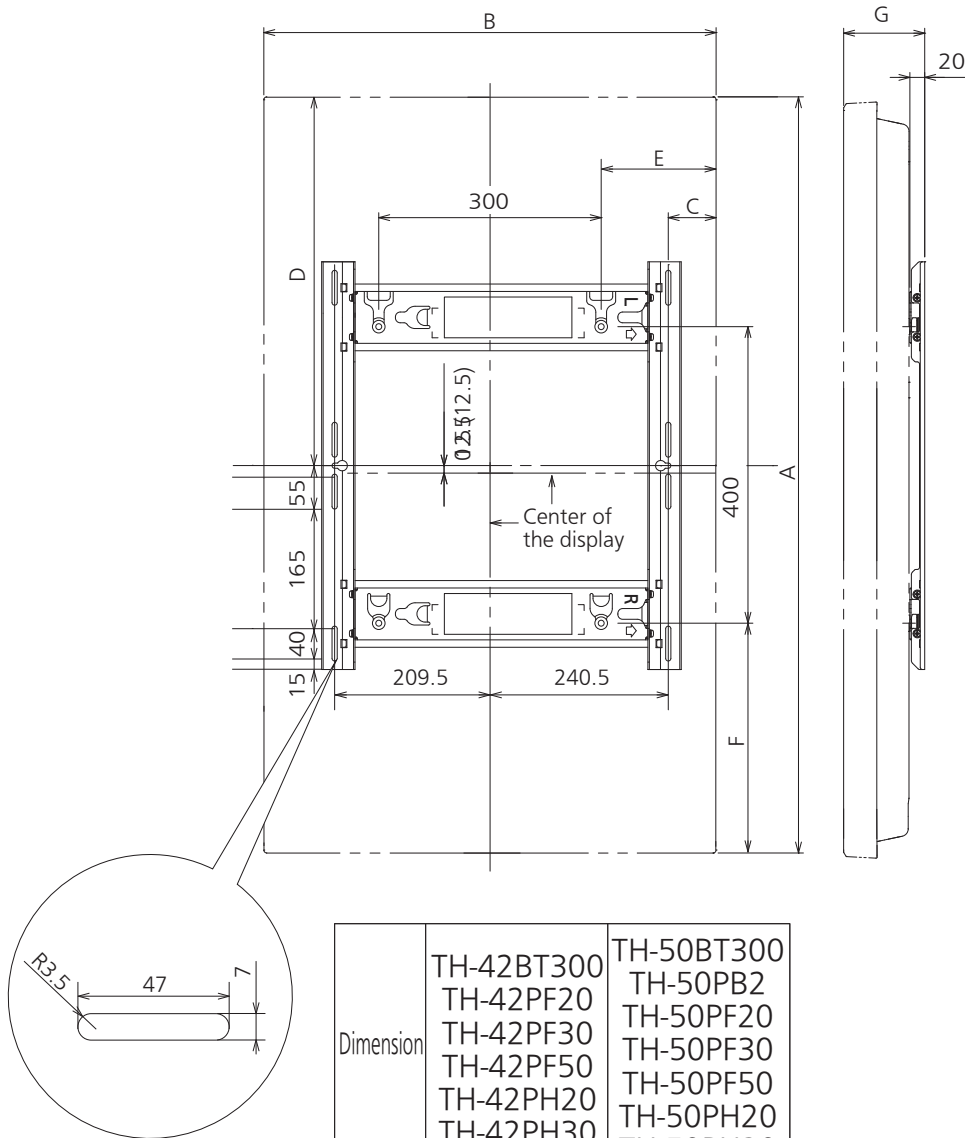


Dimension	TH-42BT300 TH-42PF20 TH-42PF30 TH-42PF50 TH-42PH20 TH-42PH30	TH-50BT300 TH-50PB2 TH-50PF20 TH-50PF30 TH-50PF50 TH-50PH20 TH-50PH30	TH-50LFB70	TH-50LFC70
A	1020	1210	1185	1151
B*1	1230	1427		
C	610	724	705	672
D	93.5	150.5	169.7	153.2
E	155	212	231.2	214.7
F	310	405	392.5	375.5
G	110	110	124.8	115.3

*1 With speakers

DIMENSIONS (Vertical)

Cautions: This drawing is not a scale
Units : mm



Dimension	TH-42BT300 TH-42PF20 TH-42PF30 TH-42PF50 TH-42PH20 TH-42PH30	TH-50BT300 TH-50PB2 TH-50PF20 TH-50PF30 TH-50PF50 TH-50PH20 TH-50PH30
A	1020	1210
B	610	724
C	64.5	121.5
D	497.5	592.5
E	155	212
F	310	450
G	110	110