



65-inch Network LCD Display TH-65LFC70E

● Product specification (design and specification subject to change without notice)

■ DISPLAY

Screen Size (Diagonal)	65 inch (1638 mm)
Panel Type / Backlight	LCD VA panel / E-LED
Aspect Ratio	16:9
Effective Display Area (W x H)	1428 x 803 mm
Number of Pixels (H x V)	1920 x 1080 pixel
Brightness	350 cd/m ²
Contrast Ratio	4000:1
Response Time	6.5 ms (G to G)
Viewing Angle (Horizontal / Vertical)	178 degrees / 178 degrees
Panel Life*	approx. 50000 hours
Front Glass Surface Treatment	Anti-glare treatment

* An approximate time until the panel brightness decreases to half of its original value.

■ CONNECTION TERMINAL

VIDEO IN	BNC x 1	1.0 Vp-p (75Ω)
AUDIO IN (L/R)	Stereo mini jack (M3) x 1 (Shared with COMPONENT/RGB IN)	0.5 Vrms
COMPONENT / RGB IN	BNC x 1 set	Y/G : 1.0 Vp-p (75Ω) P _B /C _B /B : 0.7 Vp-p (75Ω) P _R /C _R /R : 0.7 Vp-p (75Ω)
AUDIO IN (L/R)	Stereo mini jack (M3) x 1 (Shared with VIDEO IN)	0.5 Vrms
HDMI IN	HDMI TYPE A connector x 2	
DVI-D IN	DVI-D 24 pin (Digital) x 1	Compliance with DVI Revision 1.0, Compatible with HDCP 1.1
AUDIO IN (L/R)	Stereo mini jack (M3) x 1 (Shared with PC IN)	0.5 Vrms
PC IN	Mini D-sub 15 pin (female) x 1 Plug & Play (VESA DDC 2B)	Y/G : with sync 1.0 Vp-p (75Ω) : without sync 0.7 Vp-p (75Ω) P _B /C _B /B : 0.7 Vp-p (75Ω) P _R /C _R /R : 0.7 Vp-p (75Ω) HD/VD : 1.0 - 5.0 Vp-p (high impedance)
AUDIO IN (L/R)	Stereo mini jack (M3) x 1 (Shared with DVI-D IN)	0.5 Vrms
PC OUT	Mini D-sub 15 pin x 1	R : 0.7 Vp-p (75Ω) G : 0.7 Vp-p (75Ω) B : 0.7 Vp-p (75Ω) HD/VD : 3.5 - 5.0 Vp-p
Function Slot : SLOT2.0	1 (Vacant)	
USB (VIEWER)	TYPE A USB connector x 1	
External Speaker	8Ω, 20 W [10 W + 10 W] (10 %THD)	

■ CONTROL

SERIAL	D-sub 9 pin (male) x 1 (EXTERNAL CONTROL TERMINAL), RS-232C Compatible
DIGITAL LINK	RJ45 x 1 (Shared with LAN)
LAN	RJ45 x 1, 100BASE-TX, Compatible with PLink (Shared with DIGITAL LINK)

■ ELECTRICAL

Power Requirements	220-240 V AC, 50/60 Hz.
Power Consumption	210 W
Power Off Condition	approx. 0.3 W
Stand-by Condition	approx. 0.5 W

■ AUDIO

Built in Speaker	20 W [10 W + 10 W]
------------------	--------------------

■ MECHANICAL

Dimensions (W x H x D)	1484 x 859 x 97 mm
Bezel Width	approx. 25 mm
Carton Dimensions (W x H x D)	1714 x 1023 x 282 mm
Weight	approx. 55 kg
Gross Weight	approx. 64 kg
Cabinet Material / Color	Aluminum / Black
Pitch for Wall-Hanging	684 x 300 mm (Installed by: M8 screws / Screw hole depth 15 - 20 mm)

■ INSTALLATION REQUIREMENT

Orientation	Landscape / Portrait
Tilting Angle	Vertical only

* Please contact your sales representative with regard to the tilt angle before installation.

* When installing the display on portrait setting, be sure to install with the power indicator at the topside of the display.

■ ENVIRONMENTAL

Operating Environment	Temperature	: 0 °C to 40 °C
	Humidity	: 20 % to 80 % (Non condensation)
Storage Environment	Temperature	: -20 °C to 60 °C
	Humidity	: 20 % to 80 % (Non condensation)

MAIN FEATURE

Memory Viewer	<ul style="list-style-type: none"> Picture Extension :JPG, JPEG, BMP Format :Maximum resolution 8000 x 8000 Bit numbers (Bit depth): up to 24 bit Video Extension :mov, avi, mp4, mpg, mpeg, wmv Video format :Maximum 1920 x 1080/30fps Video bitrate :up to 40M bps Audio format :Maximum 48 kHz 2ch Audio bitrate :up to 384k bps
Wireless Connections	Yes
DIGITAL LINK	Yes
Secondary Display	Yes
Picture in Picture	Yes
Digital Zoom	Yes
1:1Pixel Mode	Yes
Auto Set Up	Yes
Power Management (PC)	Yes
Power Management (DVI-D)	Yes
Input Lock	Yes
Button / Input lock	Yes
Remote-control User Level	Yes
No Signal Power Off	Yes
Input Search	Yes
Operating Time*	18h/day

* In case of running for a long time, the moving image is recommended to be displayed. If you display a still picture for an extended period, the image retention might remain on the screen. However, image retention can gradually disappear by displaying movie images.

STANDARD (CERTIFICATIONS)

SAFETY REGULATIONS	EN60065, IEC60065, GOST
RADIATION REGULATIONS	EN55022 Class-B, EN55024, EN61000-3-2, EN61000-3-3

BUILT-IN WIRELESS LAN FUNCTION

Standard	2.4 GHz: IEEE802.11b/g/n, 5.0 GHz: IEEE802.11a/n
Infrastructure Mode	WPA2-PSK (TKIP/AES), WPA-PSK (TKIP/AES), WEP (64-bit/128-bit), WPA-EAP/WPA2-EAP (PEAP [MS-CHAPv2/GTC]/EAP-FAST [MS-CHAPv2/GTC]/EAP-TTLS [MD5/MS-CHAPv2], 128-bit/64-bit)

INCLUDED ACCESSORIES

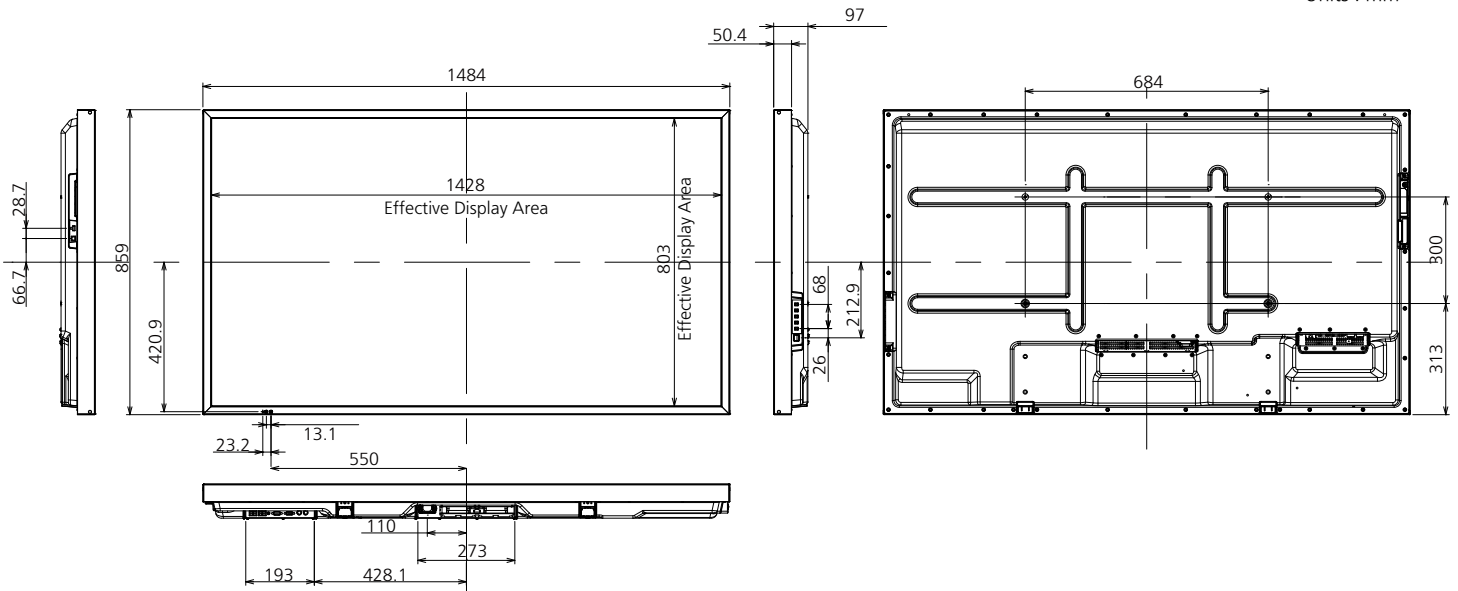
- AC cord (2 m) - Remote Control Transmitter
- Batteries for the Remote Control Transmitter (R6[UM3] Size x 2)
- Software CD-ROM (Wireless Manager software/Operating Instruction) x 1
- Operating Instruction book

OPTIONAL ACCESSORIES

Mobile Stand	TY-ST65PB2
Wall-Hanging bracket (Vertical)	TY-WK65PR20
Pedestal	TY-ST65P20
Dual Video Terminal Board	TY-FB9BD
DVI-D Terminal Board	TY-FB11DD
Dual HDMI Terminal Board	TY-FB10HMD
HD-SDI Terminal Board	TY-FB9HD
HD-SDI Terminal Board with Audio	TY-FB10HD
Dual Link HD-SDI Terminal Board	TY-FB11DHD
Digital Interface Box	ET-YFB100G
Easy Wireless Stick	ET-UW100E

DIMENSIONS

Cautions: This drawing is not a scale
Units : mm

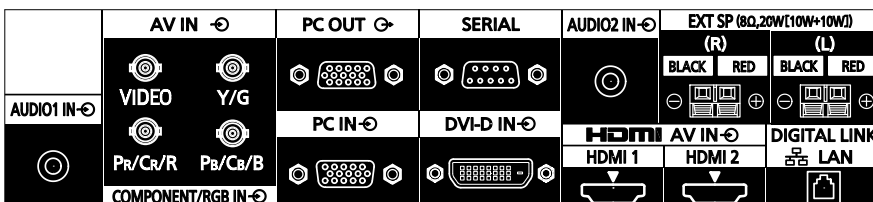


CONNECTION TERMINAL

SIDE



BACK



Applicable Input Signals

*Mark:Applicable input signal

	Signal name	Horizontal frequency (kHz)	Vertical frequency (Hz)	COMPONENT / RGB IN / PC IN (Dot clock (MHz))	DVI-D IN (Dot clock (MHz))	HDMI/DIGITAL LINK
1	525 (480) / 60i	15.73	59.94	* (13.5)	* (27.0)	*
2	525 (480) / 60p	31.47	59.94	* (27.0)*5	* (27.0)	*
3	625 (575) / 50i	15.63	50.00	* (13.5)		
4	625 (576) / 50i	15.63	50.00		* (27.0)	*
5	625 (575) / 50p	31.25	50.00	* (27.0)		
6	625 (576) / 50p	31.25	50.00		* (27.0)	*
7	750 (720) / 60p	45.00	60.00	* (74.25)	* (74.25)	*
8	750 (720) / 50p	37.50	50.00	* (74.25)	* (74.25)	*
9	1125 (1080) / 60p	67.50	60.00	* (148.5)*1	* (148.5)	*
10	1125 (1080) / 60i	33.75	60.00	* (74.25)*1	* (74.25)	*
11	1125 (1080) / 50p	56.26	50.00	* (148.5)*1	* (148.5)	*
12	1125 (1080) / 50i	28.13	50.00	* (74.25)*1	* (74.25)	*
13	1125 (1080) / 24sF	27.00	48.00	* (74.25)*2		
14	1125 (1080) / 30p	33.75	30.00	* (74.25)*1	* (74.25)	
15	1125 (1080) / 25p	28.13	25.00	* (74.25)*1	* (74.25)	
16	1125 (1080) / 24p	27.00	24.00	* (74.25)*1	* (74.25)	*
17	1250 (1080) / 50i	31.25	50.00	* (74.25)*3		
18	2048 x 1080 / 24sF *7	27.00	48.00			
19	2048 x 1080 / 24p *7	27.00	24.00			
20	640 x 400 @70 Hz	31.46	70.07	* (25.17)		
21	640 x 480 @60 Hz	31.47	59.94	* (25.18)*6	* (25.18)	*
22	640 x 480 @72 Hz	37.86	72.81	* (31.5)		
23	640 x 480 @75 Hz	37.50	75.00	* (31.5)		
24	640 x 480 @85 Hz	43.27	85.01	* (36.0)		
25	800 x 600 @56 Hz	35.16	56.25	* (36.0)		
26	800 x 600 @60 Hz	37.88	60.32	* (40.0)	* (40.0)	*
27	800 x 600 @72 Hz	48.08	72.19	* (50.0)		
28	800 x 600 @75 Hz	46.88	75.00	* (49.5)		
29	800 x 600 @85 Hz	53.67	85.06	* (56.25)		
30	852 x 480 @60 Hz	31.47	59.94	* (33.54)*6	* (34.24)	*
31	1024 x 768 @50 Hz	39.55	50.00		* (51.89)	*
32	1024 x 768 @60 Hz	48.36	60.00	* (65.0)	* (65.0)	*
33	1024 x 768 @70 Hz	56.48	70.07	* (75.0)		
34	1024 x 768 @75 Hz	60.02	75.03	* (78.75)		
35	1024 x 768 @85 Hz	68.68	85.00	* (94.5)		
36	1066 x 600 @60 Hz	37.64	59.94	* (53.0)	* (53.0)	*
37	1152 x 864 @60 Hz	53.70	60.00		* (81.62)	*
38	1152 x 864 @75 Hz	67.50	75.00	* (108.0)		
39	1280 x 768 @60 Hz	47.70	60.00	* (80.14)		
40	1280 x 800 @60 Hz (1)	49.31	59.91	* (71.0)	* (71.0)	*
41	1280 x 800 @60 Hz (2)	49.70	59.81	* (83.5)	* (83.5)	*
42	1280 x 960 @60 Hz	60.00	60.00	* (108.0)		
43	1280 x 960 @85 Hz	85.94	85.00	* (148.5)		
44	1280 x 1024 @60 Hz	63.98	60.02	* (108.0)	* (108.0)	*
45	1280 x 1024 @75 Hz	79.98	75.03	* (135.0)		
46	1280 x 1024 @85 Hz	91.15	85.02	* (157.5)		
47	1366 x 768 @50 Hz	39.55	50.00		* (69.92)	*
48	1366 x 768 @60 Hz	48.36	60.00	* (86.71)	* (87.44)	*
49	1400 x 1050 @60 Hz	65.22	60.00		* (122.61)	*
50	1440 x 900 @60 Hz (1)	55.47	59.90	* (88.75)	* (88.75)	*
51	1440 x 900 @60 Hz (2)	55.93	59.89	* (106.5)	* (106.5)	*
52	1600 x 1200 @60 Hz	75.00	60.00	* (162.0)	* (162.0)	*
53	1600 x 1200 @65 Hz	81.25	65.00	* (175.5)		
54	1920 x 1080 @60 Hz	67.50	60.00	* (148.5)*4	* (148.5)	*
55	1920 x 1200 @60 Hz	74.04	59.95		* (154.0)	*
56	Macintosh 13" (640 x 480)	35.00	66.67	* (30.24)		
57	Macintosh 16" (832 x 624)	49.72	74.54	* (57.28)		
58	Macintosh 21" (1152 x 870)	68.68	75.06	* (100.0)		

*1: Based on SMPTE 274M standard.

*2: Based on SMPTE RP211 standard.

*3: Based on SMPTE 295M standard.

*4: The input signal is recognized as 1125 (1080) / 60p.

*5: When selected the RGB format and 525p signal input to the PC IN terminal, it is recognized as VGA 60Hz signal.

*6: When inputted VGA 60Hz format signal from the other than PC IN terminal, it is recognized as 525p signal.

*7: Based on SMPTE 292M and 372M standards. These signals can be received when the Dual Link HD-SDI Terminal Board (TY-FB11DHD) is installed.

Note: Signals without above specification may not be displayed properly.