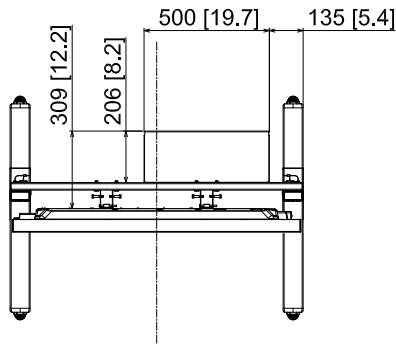


50-inch Network LED Display with Mobile Stand

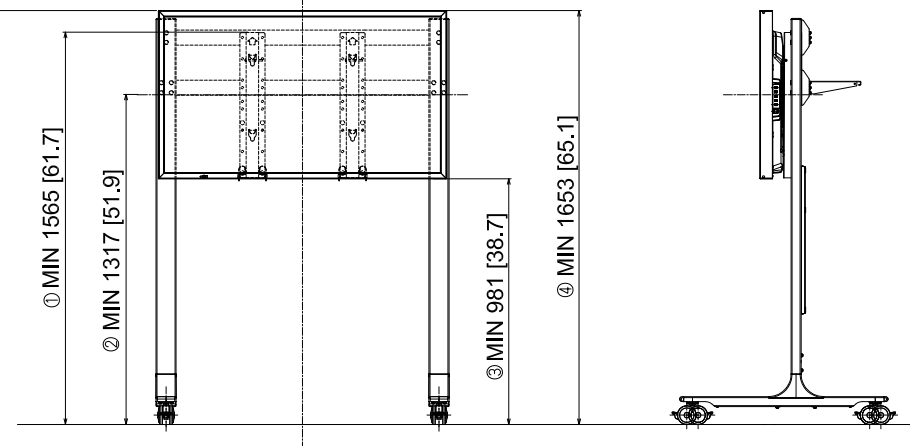
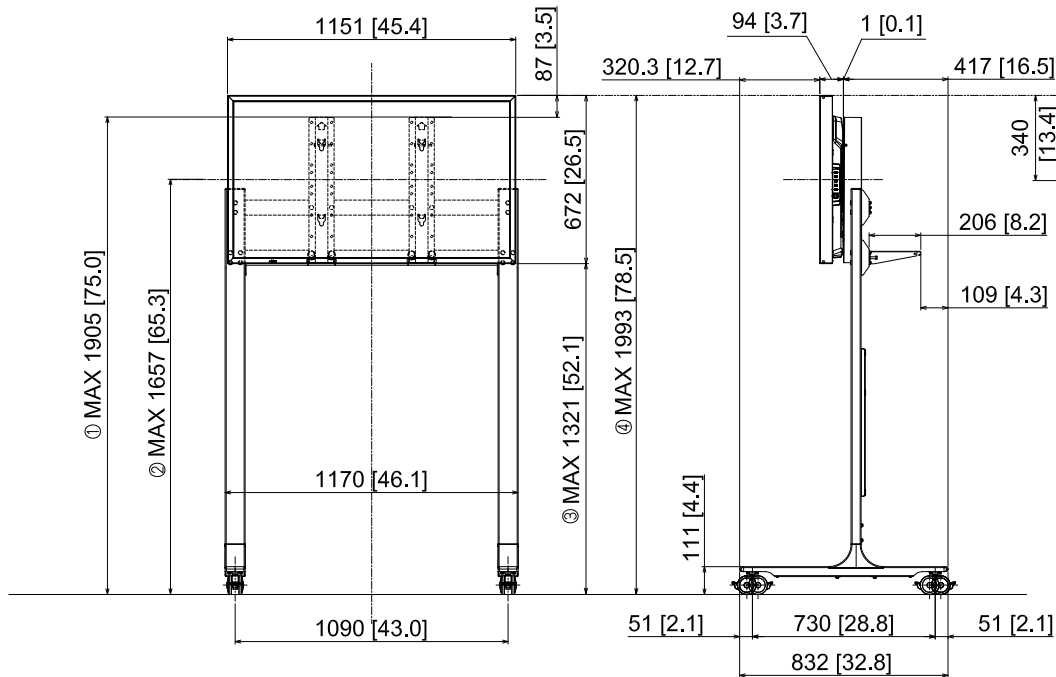
TH-50LFC70 + TY-ST50PB2

24-MARCH-2014



	①	②	③	④	
Mounting bracket Screw holes Mark	E	1905 [75.0]	1657 [65.3]	1321 [52.1]	1993 [78.5]
	D	1820 [71.7]	1572 [61.9]	1236 [48.7]	1908 [75.2]
	C	1735 [68.4]	1487 [58.6]	1151 [45.4]	1823 [71.8]
	B	1650 [65.0]	1402 [55.2]	1066 [42.0]	1738 [68.5]
	A	1565 [61.7]	1317 [51.9]	981 [38.7]	1653 [65.1]

Unit : mm [inches]



Design and specifications subject to change without notice.

© Panasonic Corporation 2014