

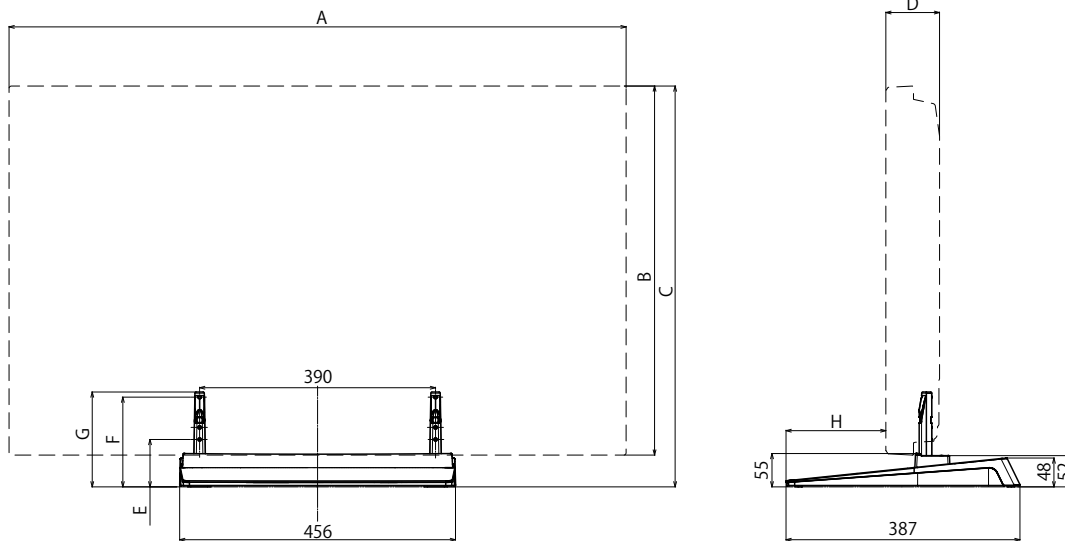


### Product specification (design and specification subject to change without notice)

Dimensions (W x H x D)	456 x Max. 177 x 387 mm
Weight	approx. 2 kg
Carton Dimensions (W x H x D)	470 x 80 x 450 mm
Gross weight	approx. 4 kg
Accessories	- Stand pole installation screw (4) - Unit installation screw (4) <b>Overturn-prevention parts</b> - Overturn-prevention belt (1) -Screw (1) -Wood screw (1) -Overturn-prevention clamp (1)

### DIMENSIONS

Cautions: This drawing is not a scale  
Units : mm



	TH-42PF50 TH-42BT300	TH-50PF50 TH-50BT300 TH-50PB2	TH-42LF5 TH-42LF30	TH-47LF5 TH-47LF30	TH-42LF60 TH-42LF6	TH-47LF60 TH-47LF6	TH-50LFB70	TH-50LFC70
A	1020	1210	968	1079	967	1076	1185	1151
B	610	724	561	624	560	621	705	672
C	663	777	599	679	615	678	738.8	722
D	89	89	116	117	68	68	103	94
E	98	98	78	78	78	78	98	98
F	168	168	148	148	148	148	168	168
G	177	177	157	157	157	157	177	177
H	165	165	150	148	181	179	150.8	160.3