

Panasonic



Wall-hanging bracket (Adjustable angle type)

TY-WK42PR20

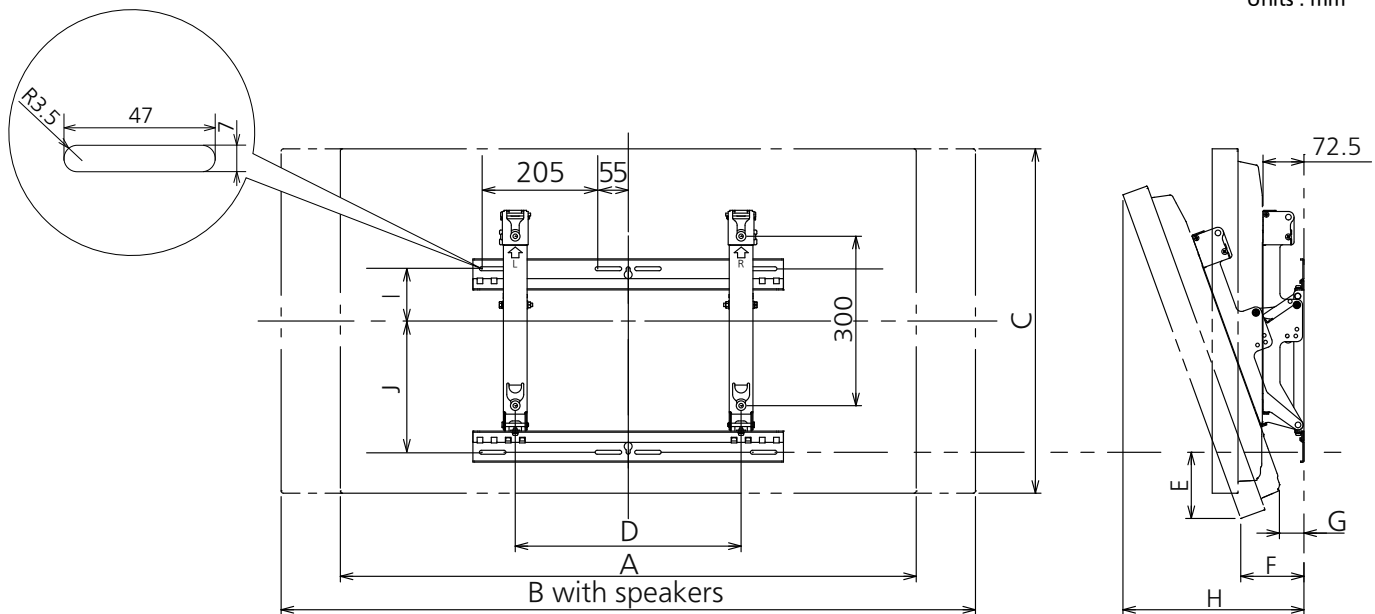
Product specification (design and specification subject to change without notice)

Dimensions (W x H x D)	550 x 446 x 72.5 mm
Weight	approx. 3.2 kg
Carton Dimensions (W x H x D)	602 x 104 x 161 mm
Gross weight	approx. 5 kg
Accessories	- Allen head countersunk screw (4) - Dished toothed washer (4) - Insulation spacer (4) - Screw for securing unit (2) - Allen wrench (included tool) (1)

DIMENSIONS

Cautions: This drawing is not a scale

Units : mm



Model	TH-42BT300, TH-42PF20, TH-42PF30 TH-42PF50, TH-42PH20, TH-42PH30					TH-50BT300, TH-50PB2, TH-50PF20 TH-50PF30, TH-50PF50, TH-50PH20, TH-50PH30					TH-50LFB70					TH-50LFC70				
	Attachment angle					Attachment angle					Attachment angle					Attachment angle				
Demension	0°	5°	10°	15°	20°	0°	5°	10°	15°	20°	0°	5°	10°	15°	20°	0°	5°	10°	15°	20°
A	1020					1210					1185					1151				
B	1230					1427*					-*					-*				
C	610					724					705					671.5				
D	400					400					400					400				
E	73	86	97	108	118	130	142	154	163	171	73.8	87.7	100.5	112.1	122.3	57	70.2	82.3	93.4	103.2
F	163	152	140	126	112	163	147	130	112	93	177	164.2	150.2	135.2	119.2	168	156.2	143.8	130.3	116
G	73	68	61	52	43	73	61	49	37	23	72.5	68.6	61.4	52.7	43.6	72.5	68.6	61.4	52.7	43.6
H	163	204	244	282	318	163	209	254	297	338	177	225.4	272.2	317	359.5	168	214.5	259.9	303.5	344.8
I	92.5					92.5					63.8					63.8				
J	232.5					232.5					261.3					261.3				

*Attached optional speakers are not supported with TH-50PB2, TH-50LFB70 and TH-50LFC70.