



Product specification (design and specification subject to change without notice)

■ DISPLAY PANEL

| | |
|---------------------------------------|------------------------------|
| Screen Size (Diagonal) | 41.9-inch (1064 mm) |
| Panel type | IPS / Edge-LED |
| Aspect ratio | 16:9 |
| Effective Display Area (W x H) | 36.5" x 20.5" (927 x 521 mm) |
| Number of pixels (H x V) | 1920 x 1080 pixels |
| Brightness | 500 cd/m ² (Typ) |
| Contrast Ratio | 1300:1 (Typ) |
| Dynamic Contrast | 50000:1 |
| Response Time | 8 ms (G to G) |
| Viewing Angle (Horizontal / Vertical) | 178° / 178° (CR ≥ 10) |
| Panel Surface Treatment | Anti glare (Haze 10%) |
| Panel Life Time*1 | approx. 60000 hours (typ) |

*1 : When the panel lifetime is at 50% of the brightness under the condition of 25 degrees Celsius (+/- 2 degrees Celsius).

■ OpenPort PLATFORM SYSTEM

| | |
|-----------------|--|
| OS | Android 4.4.3 |
| CPU | Cortex-A9 1.0 GHz (Quad) |
| Memory | 1 GB |
| Storage | 8 GB (Total capacity of storage including OS) |
| Graphics | Vivante GC2000 |
| Supported codec | Video: MPEG4, H.264/AVC, H.263, MotionJPEG, MPEG2, WMV, VP8 Audio: MP3, AAC, WMA, AMR, Ogg Vorbis |

■ OpenPort PLATFORM CONNECTION TERMINAL

| | |
|-------------------------|--|
| USB (OpenPort PLATFORM) | USB 2.0 Type A connector |
| Micro-USB | USB 2.0 Micro-B connector |
| microSD Card Slot | microSD/microSDHC x 1 |
| LAN | RJ45 x 1 10BASE-T/100BASE-TX/1000BASE-T, Compatible with PLink |
| Wireless LAN Module | IEEE 802.11a/b/g/n |

■ CONNECTION TERMINAL

| | | |
|------------------|--|--|
| HDMI IN | HDMI Type A Connector x 2 | Linear PCM (Sampling frequency : 48 kHz/44.1 kHz/32 kHz) |
| COMPONENT/RGB IN | BNC x 1 set | Y/G : BNC Contact Plug with sync 1.0 Vp-p (75 Ω) P _B /C _B /B : BNC Contact Plug without sync 0.7 Vp-p (75 Ω) P _R /C _R /R : BNC Contact Plug without sync 0.7 Vp-p (75 Ω) |
| AUDIO IN | Stereo Mini Jack (M3) x 1 (Shared with VIDEO IN) | 0.5 Vrms |
| VIDEO IN | BNC x 1 (Shared with COMPONENT/RGB IN Y/G) | 1.0 Vp-p (75 Ω) |
| AUDIO IN | Stereo Mini Jack (M3) x 1 (Shared with COMPONENT/RGB IN) | 0.5 Vrms |
| DVI-D IN | DVI-D 24-pin x 1 | Compliance with DVI Revision 1.0 Compatible with HDCP 1.1 |
| AUDIO IN | Stereo Mini Jack (M3) x 1 (Shared with PC IN) | 0.5 Vrms |
| DVI-D OUT | DVI-D 24-pin x 1 | Compliance with DVI Revision 1.0 Compatible with HDCP 1.1 |
| PC IN | Mini D-Sub 15-pin x 1 (Female) | Y/G : with sync 1.0 Vp-p (75 Ω) : without sync 0.7 Vp-p (75 Ω) P _B /C _B /B : without sync 0.7 Vp-p (75 Ω) P _R /C _R /R : without sync 0.7 Vp-p (75 Ω) HD/VD : 1.0 - 5.0 Vp-p (high impedance) |
| AUDIO IN | Stereo Mini Jack (M3) x 1 (Shared with DVI-D IN) | 0.5 Vrms |
| SERIAL IN/OUT | D-sub 9pin x 1 / x 1, RS-232C Compatible | |
| IR IN / OUT | Stereo Mini Jack (M3) x 1 / x 1 | |
| AUDIO OUT | Stereo Mini Jack (M3) x 1 Variable (-∞ - 0 dB) (1 kHz 0 dB Input, 10 k Ω Load) | 0.5 Vrms |
| USB | USB 2.0 Type A connector x 1 DC 5 V/1A (USB3.0 is not supported.) | |

*Due to the construction of terminal, some types of connecting cable or USB memory device cannot be used.
Be sure to make confirmation with reference to the detailed drawing of terminal in page 4.

■ SPEAKER

| | |
|----------------------|---|
| Built in Speaker | 10 W (8 Ω ,Full Range :3.15" x 1.18" (80 mm x 30 mm)) x 2 |
| Built in Speaker OUT | 20 W [10 W +10 W] |

■ ELECTRICAL

| | |
|------------------------------------|--|
| Power Requirements | 110 - 127 V AC 50 / 60 Hz |
| Power Consumption | 155 W |
| On Mode Average Power Consumption* | 110 W |
| Power Off Condition | approx. 0.3 W |
| Stand-by Condition | approx. 0.5 W (When OpenPort PLATFORM™ set to OFF, approx. 20 W when OpenPort PLATFORM™ set to ON) |
| Apparent power | 158 VA |

* : Based on IEC 62087 Ed.2 measurement method

■ MECHANICAL

| | |
|--|---|
| Dimensions (W x H x D) | 37.3" x 21.3" x 2.8" (947 x 541 x 72 mm) |
| Dimensions (W x H x D) (Excluding handle part) | 37.3" x 21.3" x 2.3" (947 x 541 x 57 mm) |
| Weight | approx. 34.4 lbs. (15.6 kg) |
| Bezel Width / Color | T/R/L/B : 0.25" (6.3 mm) / Black |
| Carton Dimensions (W x H x D) | 44.3" x 29.3" x 8.0" (1123 x 743 x 203 mm) |
| Gross Weight | approx. 46.3 lbs. (21.0 kg) |
| Cabinet Material / Color | Metal / Black |
| Pitch for Wall-Hanging | VESA Compliant 7.9" x 7.9" (200 x 200 mm) (Installed by: M6 screws / Screw hole depth 0.4" (10 mm)) |

| | |
|----------|--------------|
| UPC Code | 885170263017 |
|----------|--------------|

MAIN FEATURE

| | |
|--|----------|
| USB Media Player | Yes |
| Fail back & Fail over | Yes |
| Data Cloning | Yes |
| Early Warning Software compatible | Yes |
| Multi Monitoring & Control Software compatible | Yes |
| Operating Time | 24h / 7d |
| Digital Zoom | Yes |
| Multi Display | Yes |
| Power ON Screen Delay | Yes |
| 1:1 Pixel mode | Yes |
| Auto setup | Yes |
| Screen Saver | Yes |
| HDMI Power Management | Yes |
| PC Power Management | Yes |
| DVI-D Power Management | Yes |
| Input Lock | Yes |
| Button Lock | Yes |
| Remote-control User Level | Yes |
| Input Search | Yes |

In case of running for a long time, the moving image is recommended to be displayed. If you display a still picture for an extended period, the image retention might remain on the screen. However, image retention can gradually disappear by displaying a moving images.

INCLUDED ACCESSORIES

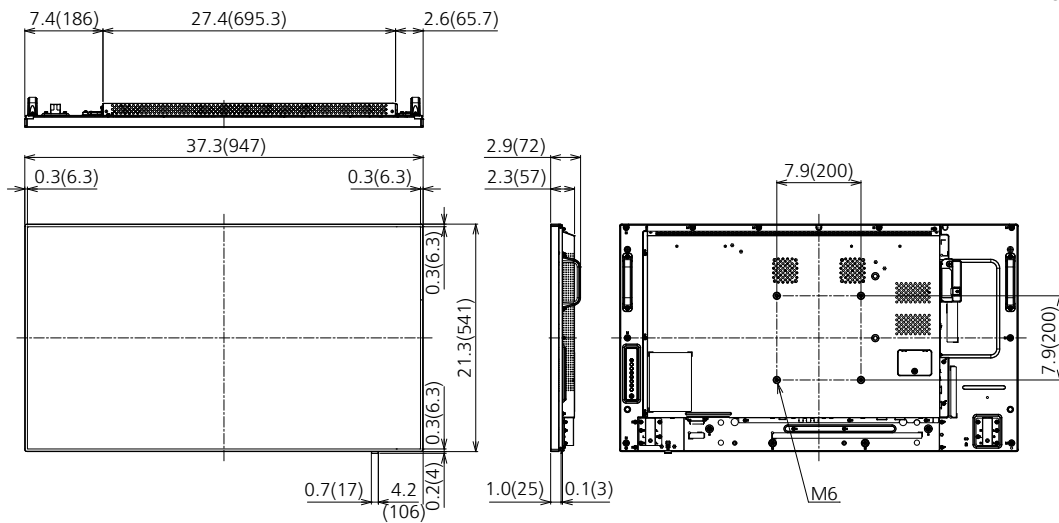
- AC cord (79" (2.0 m)) - Remote Control - Batteries (AAA size) x 2
- Clamper x 3 - CD-ROM / User Manual - Operating instruction book

OPTIONAL ACCESSORIES

| | |
|---------------------------------------|------------------|
| Pedestal Stand | TY-ST43PE8 |
| Early Warning Software*1 | ET-SWA100 series |
| Auto Display Adjustment Upgrade Kit*2 | TY-VUK10 |

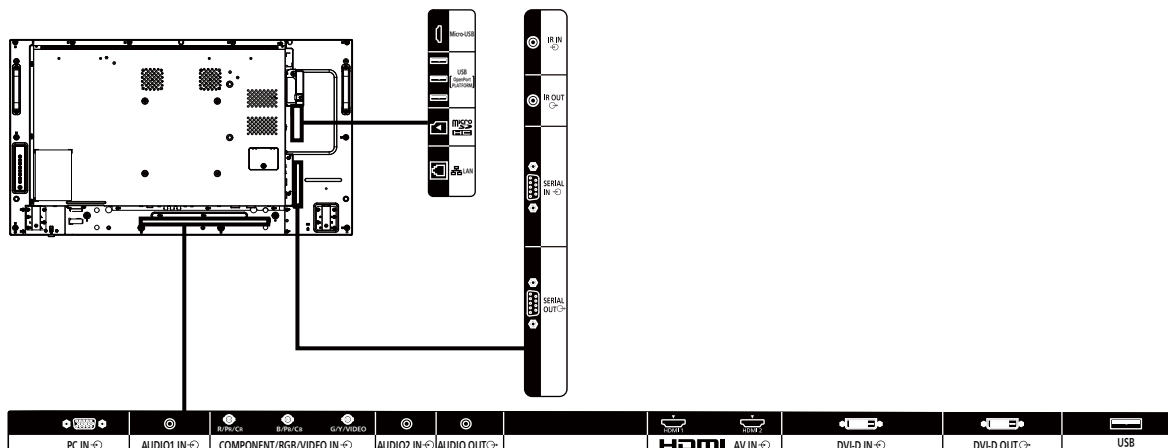
*1 The symbol at the end of item number differs depending on the type of license.
 *2 This kit responds to Ver.1.2 and later versions.

DIMENSIONS



Cautions: This drawing is not a scale
 Units : inches (mm)

CONNECTION TERMINAL



INSTALLATION REQUIREMENT

| | |
|---------------|---|
| Orientation | Landscape/Portrait (Angle adjustment 0-45 degrees for both left and right) |
| Tilting Angle | 0-45 degrees forward/backward with landscape/portrait setting (Angle adjustment is not possible for forward/backward tilting installation.) |

*Please contact your sales representative with regard to the tilt angle before installation.

ENVIRONMENTAL

| | |
|-----------------------|---|
| Operating Environment | Temperature : 32 °F to 104 °F (0 °C to 40 °C) ^{*1} |
| | : 32 °F to 95 °F (0 °C to 35 °C) ^{*2} |
| | Humidity : 20% to 80% (No condensation) |
| Storage Environment | Altitude : 0 to 9186 ft (0 to 2800 m) |
| | Temperature : -4 °F to 140 °F (-20 °C to 60 °C) |
| | Humidity : 20% to 80% (No condensation) |

*1 : for up to 4593 ft (1400 m) altitude
 *2 : for between 4593 ft (1400 m) and 9186 ft (2800 m) altitude
 Depending on the temperature or humidity conditions, uneven brightness may be observed. This is not a malfunction.
 • This unevenness will disappear while applying current continuously. If not, consult the distributor.

STANDARD (CERTIFICATIONS)

| | |
|-----------------------|--|
| SAFETY REGULATIONS | UL 60950-1 2nd Edition, CAN/CSA-C22.2 No. 60950-1-07 |
| RADIATION REGULATIONS | FCC 47 CFR, Part 15, Subpart B Class A, ICES-003 |

REMOTE CONTROL TRANSMITTER

| | |
|------------------------|---|
| Power Requirements | DC 3 V (2 x AAA Size batteries) |
| Operating distance | approx. 23 ft (7 m)* |
| Weight | approx. 2.2 oz (63 g) including batteries |
| Dimensions (W x H x D) | 1.7" x 4.1" x 0.8" (44 x 105 x 20.5 mm) |

*When operated directly in front of receptor.

List of correspondence signals

V : VIDEO
R : D-sub RGB
Y : YC_BC_R/YP_BP_R

D : DVI-D
H : HDMI

The picture signal which can indicate a this machine is as it is the following table.

| Correspondence signal | Resolution (dot) | Scan rate | | Dot clock rate (MHz) | Input format |
|--------------------------------|---------------------------------|-----------------|--------------|----------------------|--------------|
| | | Horizontal(kHz) | Vertical(Hz) | | |
| NTSC/NTSC4.43/ PAL-M/PAL60 | 720 x 480i | 15.73 | 59.94 | - | V |
| PAL/PAL-N/SECAM | 720 x 576i | 15.63 | 50.00 | - | V |
| 525i (480i) | 720 x 480 | 15.73 | 59.94 | 13.50 | R/Y |
| 625i (576i) | 720 x 576i | 15.63 | 50.00 | 13.50 | R/Y |
| 525i (480i) | 720 (1440) x 480 ^{*2} | 15.73 | 59.94 | 27.00 | D/H |
| 625i (576i) | 720 (1440) x 576i ^{*2} | 15.63 | 50.00 | 27.00 | D/H |
| 525p (480p) | 720 x 483 | 31.47 | 59.94 | 27.00 | R/Y/D/H |
| 625p (576p) | 720 x 576 | 31.25 | 50.00 | 27.00 | R/Y/D/H |
| 750 (720) /60p | 1280 x 720 | 45.00 | 60.00 | 74.25 | R/Y/D/H |
| 750 (720) /50p | 1280 x 720 | 37.50 | 50.00 | 74.25 | R/Y/D/H |
| 1125 (1080) /60i ^{*1} | 1920 x 1080i | 33.75 | 60.00 | 74.25 | R/Y/D/H |
| 1125 (1080) /50i | 1920 x 1080i | 28.13 | 50.00 | 74.25 | R/Y/D/H |
| 1125 (1080) /24p | 1920 x 1080 | 27.00 | 24.00 | 74.25 | R/Y/D/H |
| 1125 (1080) /24PsF | 1920 x 1080i | 27.00 | 48.00 | 74.25 | R/Y |
| 1125 (1080) /25p | 1920 x 1080 | 28.13 | 25.00 | 74.25 | R/Y/D/H |
| 1125 (1080) /30p | 1920 x 1080 | 33.75 | 30.00 | 74.25 | R/Y/D/H |
| 1125 (1080) /60p | 1920 x 1080 | 67.50 | 60.00 | 148.50 | R/Y/D/H |
| 1125 (1080) /50p | 1920 x 1080 | 56.25 | 50.00 | 148.50 | R/Y/D/H |
| VESA400 | 640 x 400 | 31.47 | 70.09 | 25.18 | R/Y/D/H |
| | 640 x 400 | 31.50 | 85.08 | 31.50 | R/Y/D/H |
| VGA | 640 x 480 | 31.47 | 59.94 | 25.18 | R/Y/D/H |
| | 640 x 480 | 35.00 | 66.67 | 30.24 | R/Y/D/H |
| | 640 x 480 | 37.86 | 72.81 | 31.50 | R/Y/D/H |
| | 640 x 480 | 37.50 | 75.00 | 31.50 | R/Y/D/H |
| | 640 x 480 | 43.27 | 85.01 | 36.00 | R/Y/D/H |
| SVGA | 800 x 600 | 35.16 | 56.25 | 36.00 | R/Y/D/H |
| | 800 x 600 | 37.88 | 60.32 | 40.00 | R/Y/D/H |
| | 800 x 600 | 48.08 | 72.19 | 50.00 | R/Y/D/H |
| | 800 x 600 | 46.88 | 75.00 | 49.50 | R/Y/D/H |
| MAC16 | 832 x 624 | 49.72 | 74.55 | 57.28 | R/Y/D/H |
| | 852 x 480 | 31.47 | 59.94 | 34.24 | D/H |
| XGA | 1024 x 768 | 39.55 | 50.00 | 51.89 | D/H |
| | 1024 x 768 | 48.36 | 60.00 | 65.00 | R/Y/D/H |
| | 1024 x 768 | 56.48 | 70.07 | 75.00 | R/Y/D/H |
| | 1024 x 768 | 60.02 | 75.03 | 78.75 | R/Y/D/H |
| | 1024 x 768 | 65.55 | 81.63 | 86.00 | R/Y/D/H |
| WSVGA | 1066 x 600 | 37.64 | 59.94 | 53.00 | D/H |
| MXGA | 1152 x 864 | 53.70 | 60.00 | 81.62 | D/H |
| | 1152 x 864 | 63.99 | 70.02 | 94.20 | R/Y/D/H |
| | 1152 x 864 | 67.50 | 75.00 | 108.00 | R/Y/D/H |
| | 1152 x 864 | 77.09 | 85.00 | 119.65 | R/Y/D/H |
| MAC21 | 1152 x 870 | 68.68 | 75.06 | 100.00 | R/Y/D/H |
| 1280 x 720 | 1280 x 720 | 44.76 | 60.00 | 74.48 | R/Y/D/H |
| 1280 x 768 | 1280 x 768 | 39.55 | 49.94 | 65.18 | R/Y/D/H |
| | 1280 x 768 | 47.70 | 60.00 | 80.14 | R/Y/D/H |
| | 1280 x 768 | 47.78 | 59.87 | 79.50 | R/Y/D/H |
| 1280 x 800 | 1280 x 800 | 41.20 | 50.00 | 68.56 | R/Y/D/H |
| | 1280 x 800 | 49.31 | 59.91 | 71.00 | R/Y/D/H |
| | 1280 x 800 | 49.70 | 59.81 | 83.50 | R/Y/D/H |
| MSXGA | 1280 x 960 | 60.00 | 60.00 | 108.00 | R/Y/D/H |
| | 1280 x 960 | 85.94 | 85.00 | 148.50 | R/Y |
| SXGA | 1280 x 1024 | 63.98 | 60.02 | 108.00 | R/Y/D/H |
| | 1280 x 1024 | 79.98 | 75.02 | 135.00 | R/Y/D/H |
| | 1280 x 1024 | 91.15 | 85.02 | 157.50 | R/Y/D/H |
| 1360 x 768 | 1360 x 768 | 47.71 | 60.02 | 85.50 | D/H |
| | 1360 x 768 | 47.70 | 60.00 | 84.72 | D/H |
| | 1360 x 768 | 47.72 | 59.80 | 84.75 | D/H |
| 1366 x 768 | 1366 x 768 | 39.55 | 50.00 | 69.92 | D/H |
| | 1366 x 768 | 48.39 | 60.03 | 86.71 | R/Y/D/H |
| | 1366 x 768 | 48.00 | 60.00 | 72.00 | R/Y/D/H |
| | 1366 x 768 | 39.56 | 49.89 | 69.00 | R/Y/D/H |
| | 1366 x 768 | 47.71 | 59.79 | 85.50 | R/Y/D/H |
| SXGA+ | 1400 x 1050 | 65.22 | 60.00 | 122.61 | D/H |
| | 1400 x 1050 | 82.20 | 75.00 | 155.85 | R/Y/D/H |
| WXGA+ | 1440 x 900 | 55.47 | 59.90 | 88.75 | R/Y/D/H |
| | 1440 x 900 | 55.92 | 60.00 | 106.47 | R/Y/D/H |
| 1600 x 900 | 1600 x 900 | 46.30 | 50.00 | 97.05 | D/H |
| | 1600 x 900 | 60.00 | 60.00 | 108.00 | D/H |
| | 1600 x 900 | 55.99 | 59.95 | 118.25 | D/H |
| | 1600 x 900 | 55.92 | 60.00 | 119.00 | D/H |
| WSXGA+ | 1680 x 1050 | 65.29 | 59.95 | 146.25 | R/Y/D/H |
| UXGA | 1600 x 1200 ^{*3} | 75.00 | 60.00 | 162.00 | R/Y/D/H |
| 1920 x 1080 | 1920 x 1080 ^{*4} | 66.59 | 59.93 | 138.50 | R/Y/D/H |
| | 1920 x 1080 | 67.50 | 60.00 | 148.50 | R/Y/D/H |
| WUXGA | 1920 x 1200 ^{*3} | 74.04 | 59.95 | 154.00 | R/Y/D/H |

● The signal format distinguished automatically will be sometimes indication different from an actual input signal.

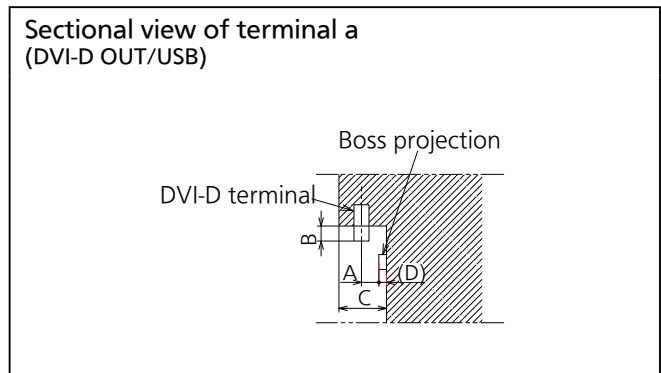
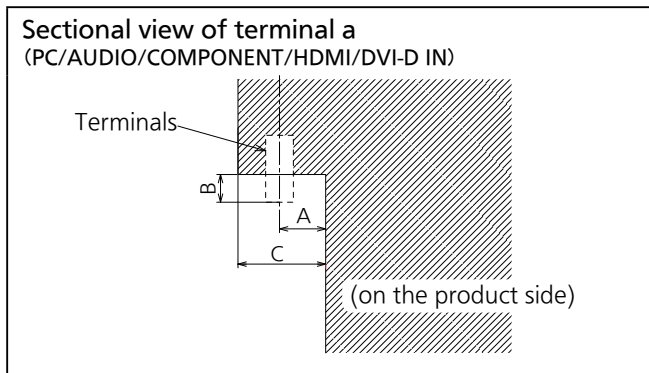
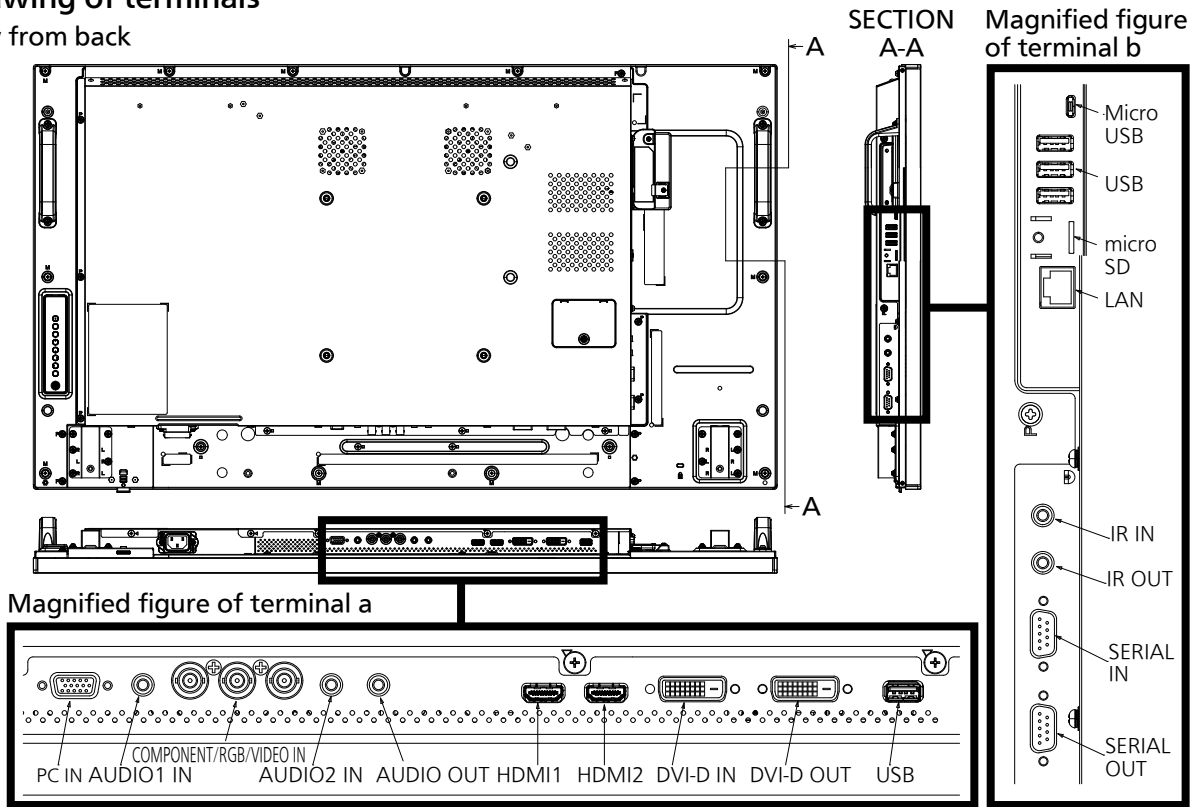
*1: When 1125 (1035) /60i signal is input, it is displayed as 1125 (1080) /60i signal. *3: Displayed with image elements thinned out in the image processing circuit.

*2: Pixel-Repetition signal (dot clock frequency 27.0 MHz) only

*4: Based on VESA CVT-RB (Reduced Blanking) standard

Drawing of terminals

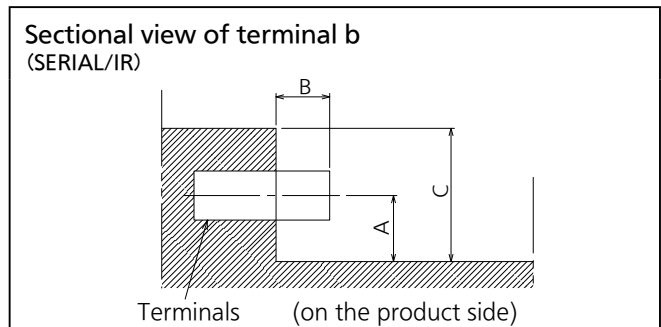
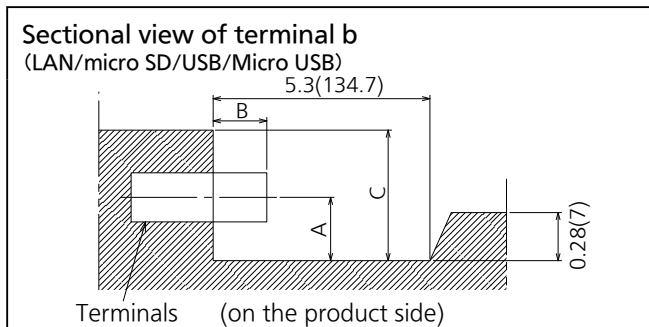
View from back



Terminal a 42AF1 Terminal (Bottom)

Units : inches (mm)

| | PC | AUDIO | COMPONENT | HDMI | DVI-D IN | DVI-D OUT | USB (terminal a) | |
|---|-------------|-------------|-------------|-------------|-------------|------------|------------------|--|
| A | 0.67 (17.1) | 0.68 (17.3) | 0.74 (18.9) | 0.56 (14.2) | 0.62 (15.8) | 0.37 (9.3) | 0.41 (10.4) | |
| B | 0.17 (4.3) | 0.07 (1.7) | 0.43 (10.8) | | 0.19 (4.7) | 0.19 (4.7) | | |
| C | 1.26 (32) | | | | | | | |
| D | | | | | | 0.26 (6.5) | 0.17 (4.4) | |



Terminal b 42AF1 Terminal (Side)

Units : inches (mm)

| | LAN | micro SD | USB (terminal b) | Micro USB | SERIAL | IR |
|---|-------------|-------------|------------------|-------------|-------------|-------------|
| A | 0.61 (15.5) | 0.40 (10.1) | 0.65 (16.4) | 0.41 (10.4) | 0.56 (14.2) | 0.56 (14.2) |
| B | | | | | 0.16 (4) | 0.06 (1.5) |
| C | 1.41 (35.7) | | | | 1.13 (28.7) | |

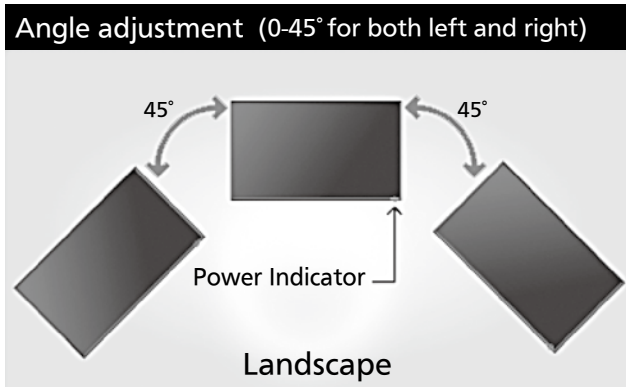
*Due to the construction of terminal, some types of connecting cable or USB memory device cannot be used. Be sure to use connecting cable or USB memory device after confirmation in this drawing.

● Installation precautions

The AF1 Series is designed for use in either portrait or horizontal orientation with angle adjustment. Tilting installation up to 45 degrees forward or backward is also possible. You can install as shown the example figures.

| | |
|---------------|--|
| Orientation | Landscape/Portrait (Angle adjustment 0 - 45 degrees for both left and right) |
| Tilting angle | 0 - 45 degrees forward/backward with landscape/portrait setting (Angle adjustment is not possible for forward/backward tilting installation.) |

◆ Orientation



◆ Tilting angle

