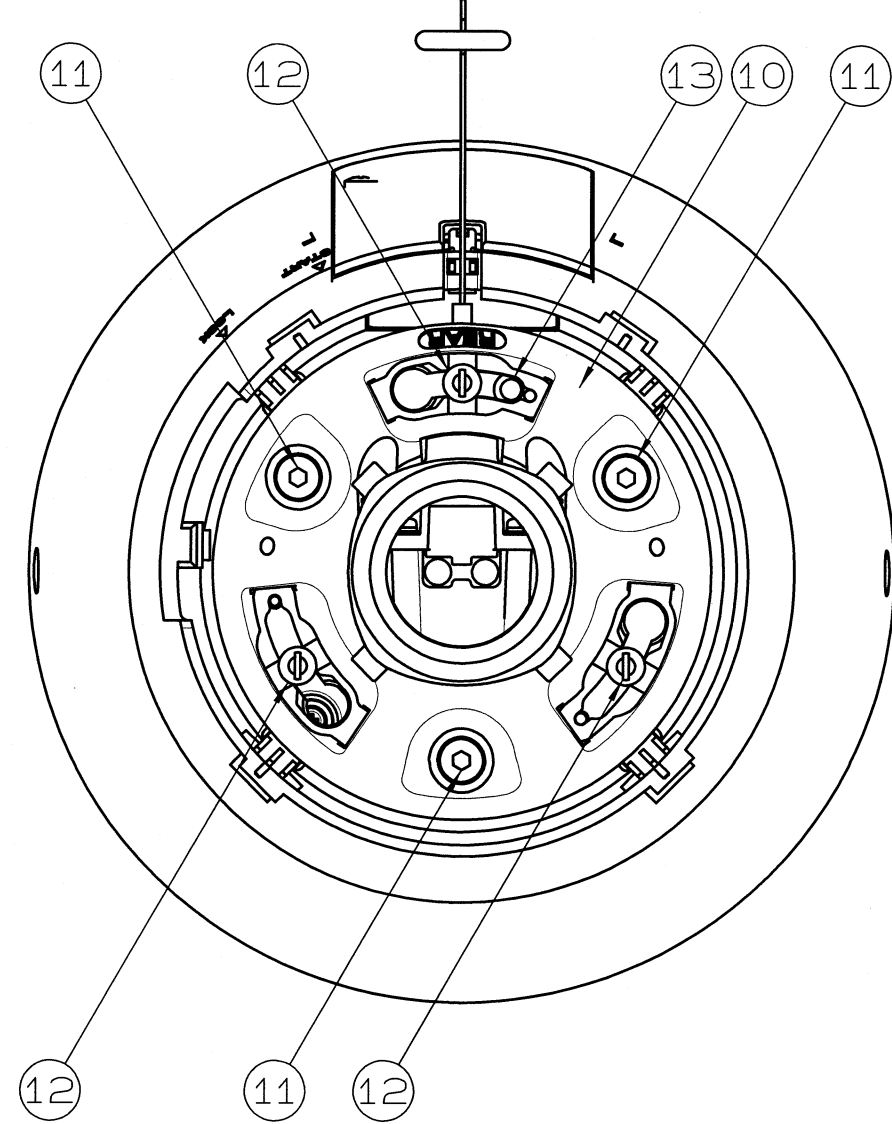
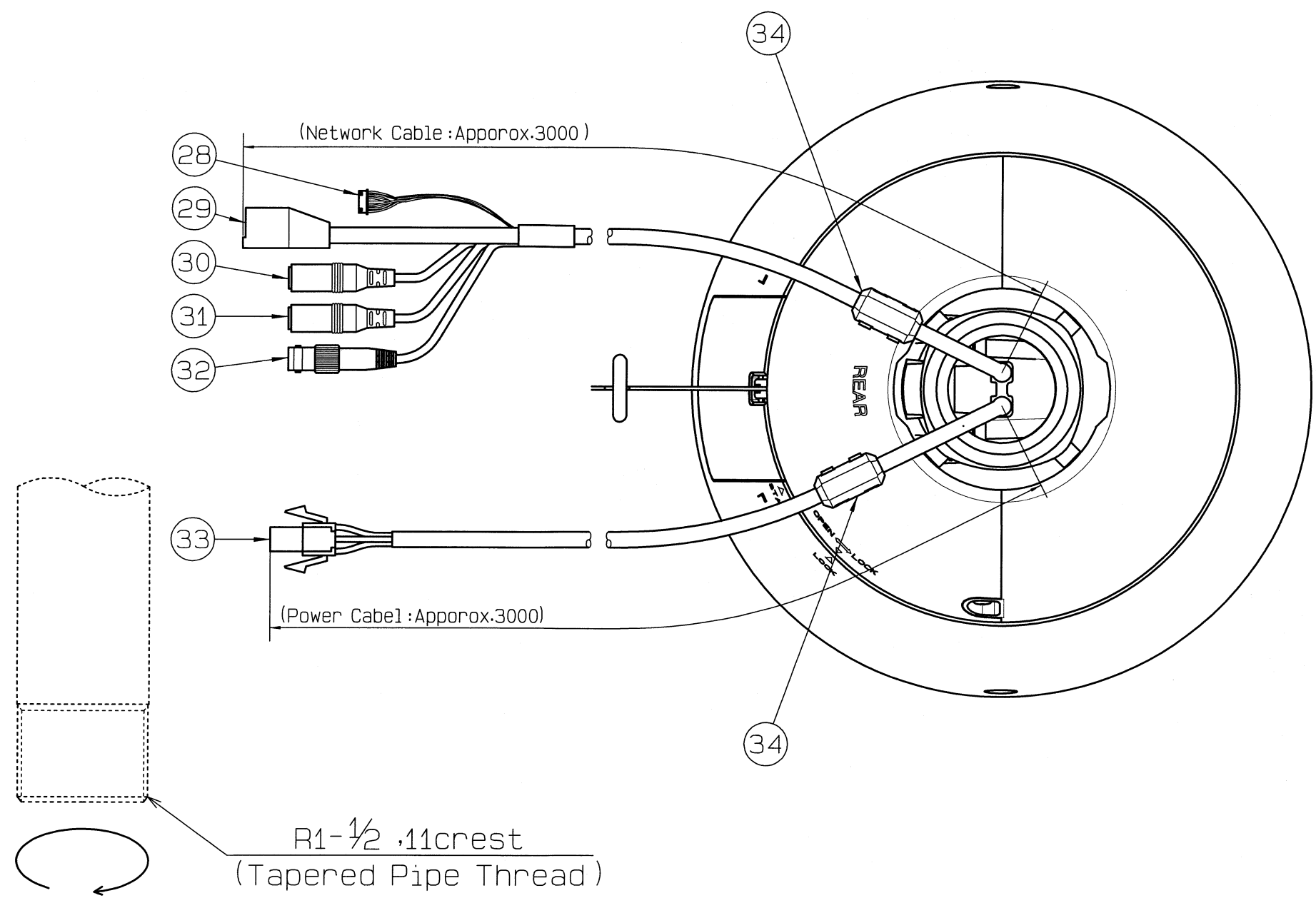


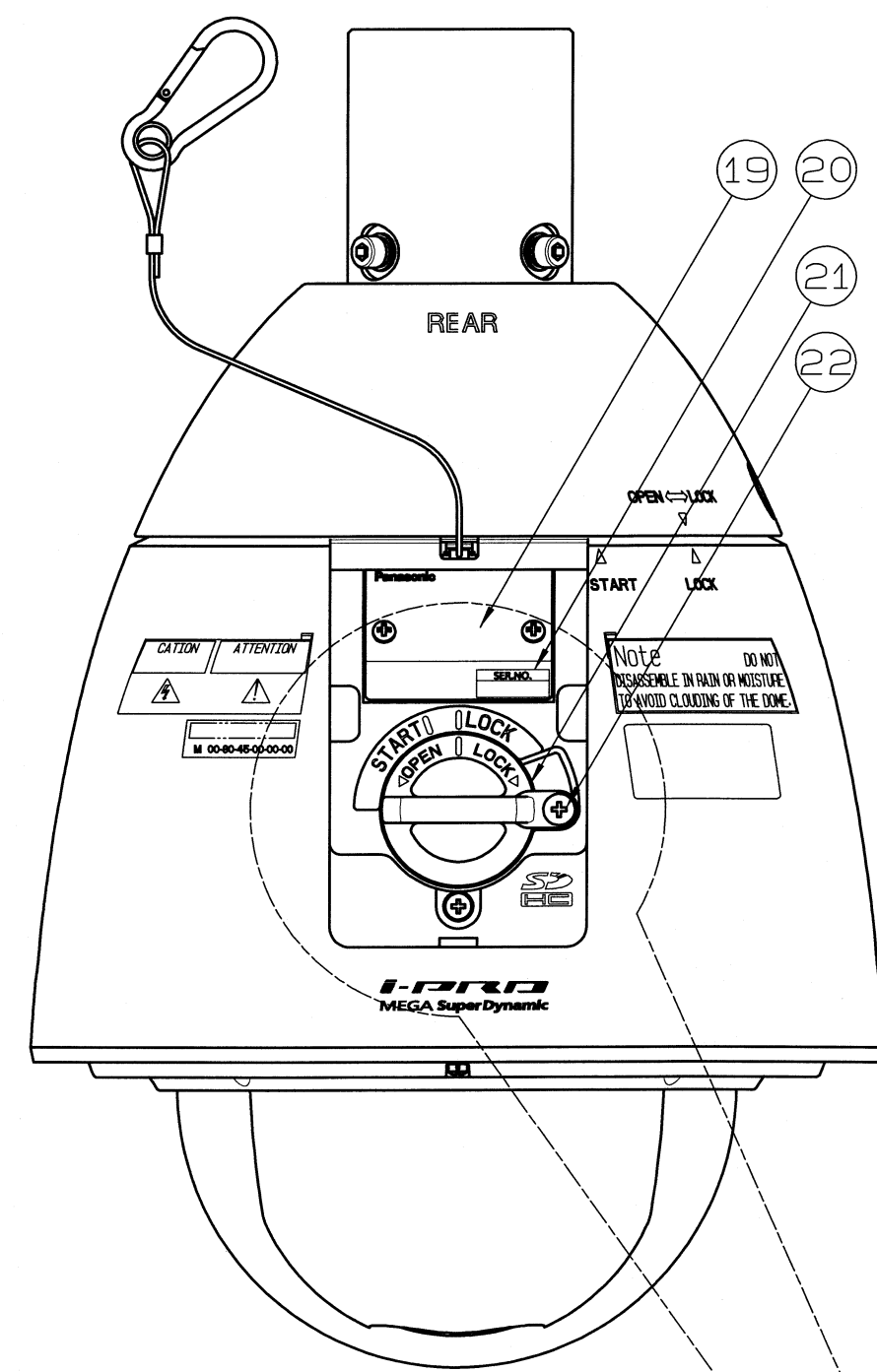
SYM	DATE	REVISION	SIGNED	CHECKED
△				
△				
△				

No.	Part Name	Material	Coating(Fine Silver)	Process	Remark
1	Network Camera Unit				
2	Dome Cover	Polycarbonate Resin			
3	Sun Shield	ASA	Coating(Fine Silver)		
4	Bracket Fixing Screw	Stainless Steel M5 4Screw			
5	Attachment Pipe	Aluminium Alloy			
6	Sun Shield Up-Front	ASA	Coating(Fine Silver)		
7	Sun Shield Up-Rear	ASA	Coating(Fine Silver)		
8	Sun Shield Fixing Screw	Stainless Steel M4			
9	Camera Safety Wire	Stainless Steel		Printing	
10	Upper Base	Aluminium Alloy Diecasting	Coating(Fine Silver)		
11	Housing Fixing Screw	Stainless Steel M6 3Screw			
12	Mounting Guide Pin	Stainless Steel			
13	Position Landmark Pin	Aluminium Alloy Diecasting			
14	Sun Shield SD	ASA	Coating(Fine Silver)		
15	Note Label	Aluminium Vapor Deposition Film		Printing	
16	Caution Label	Aluminium Vapor Deposition Film		Printing	
17	MAC Address Label	Polyester Film		Printing	
18	FCC/DOC Label	Aluminium Vapor Deposition Film		Printing	
19	Name Plate	Aluminium Alloy t=0.5		Printing	
20	SER Label	Aluminium Vapor Deposition Film		Printing	
21	SD Card Cover	Aluminium Alloy	Coating(Fine Silver)		
22	SD Card Cover Lock Screw	Stainless Steel			
23	SD Card Slot				
24	Status Indication Lamp				
25	ACT LED				
26	LINK LED				
27	INITIAL SET Switch				
28	I/O Connector				
29	Network Connector				
30	Mic Input Connector(Whitel)				
31	Audio Output Connector(Whitel)				
32	Video Output Connector				
33	Power Connector				
34	Ferrite Core				

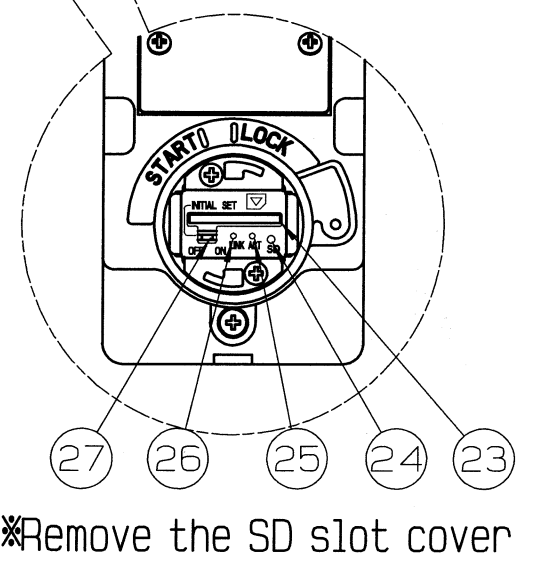
\*Remove the sun shield up



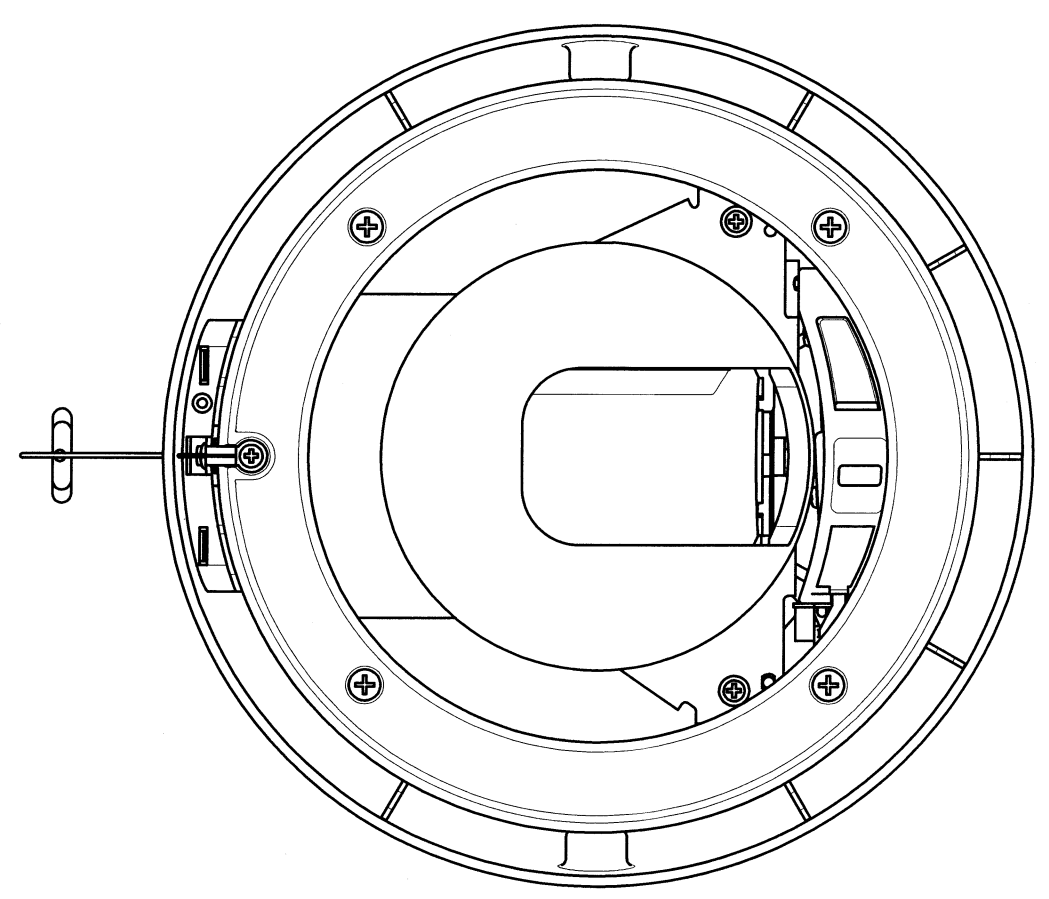
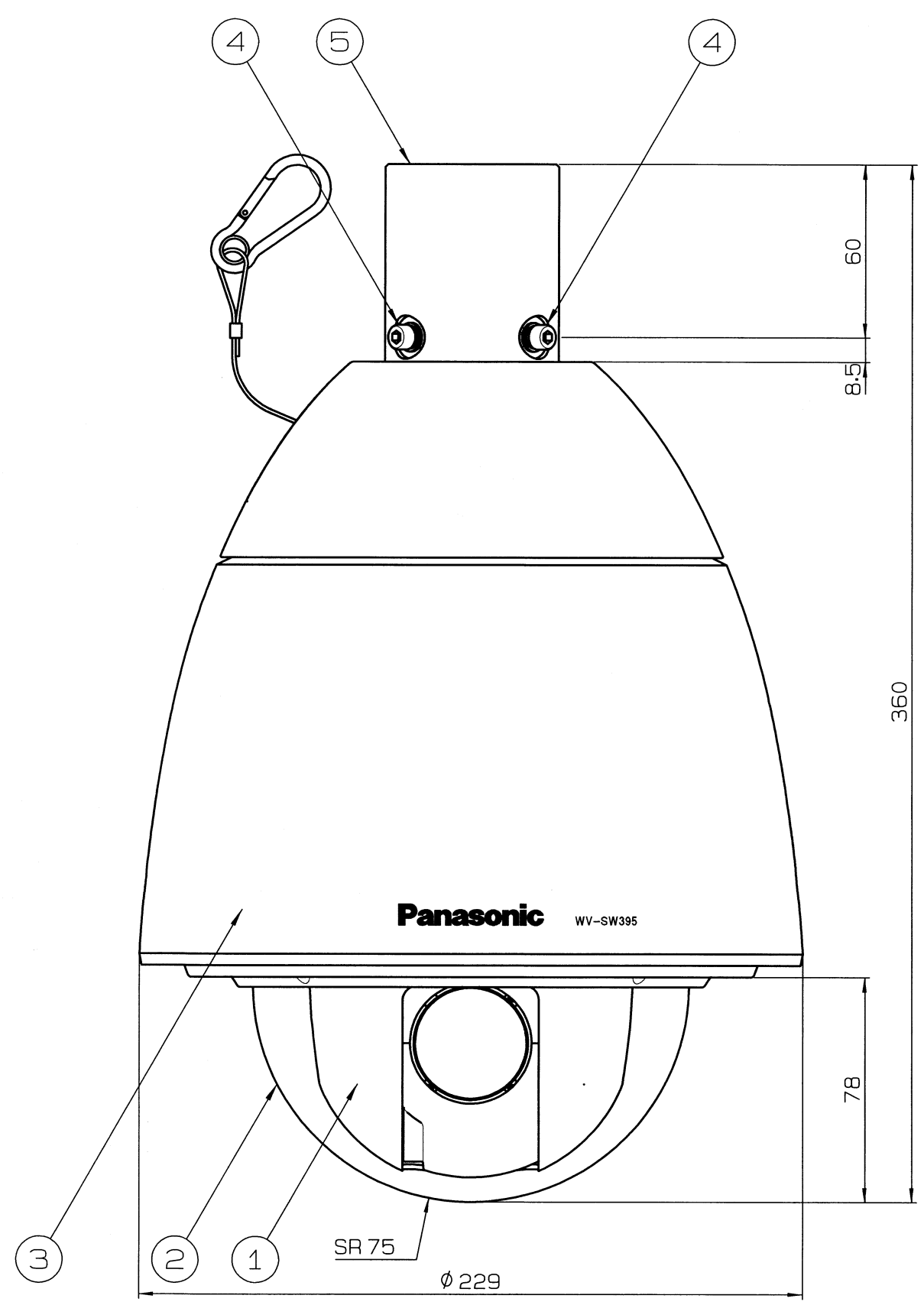
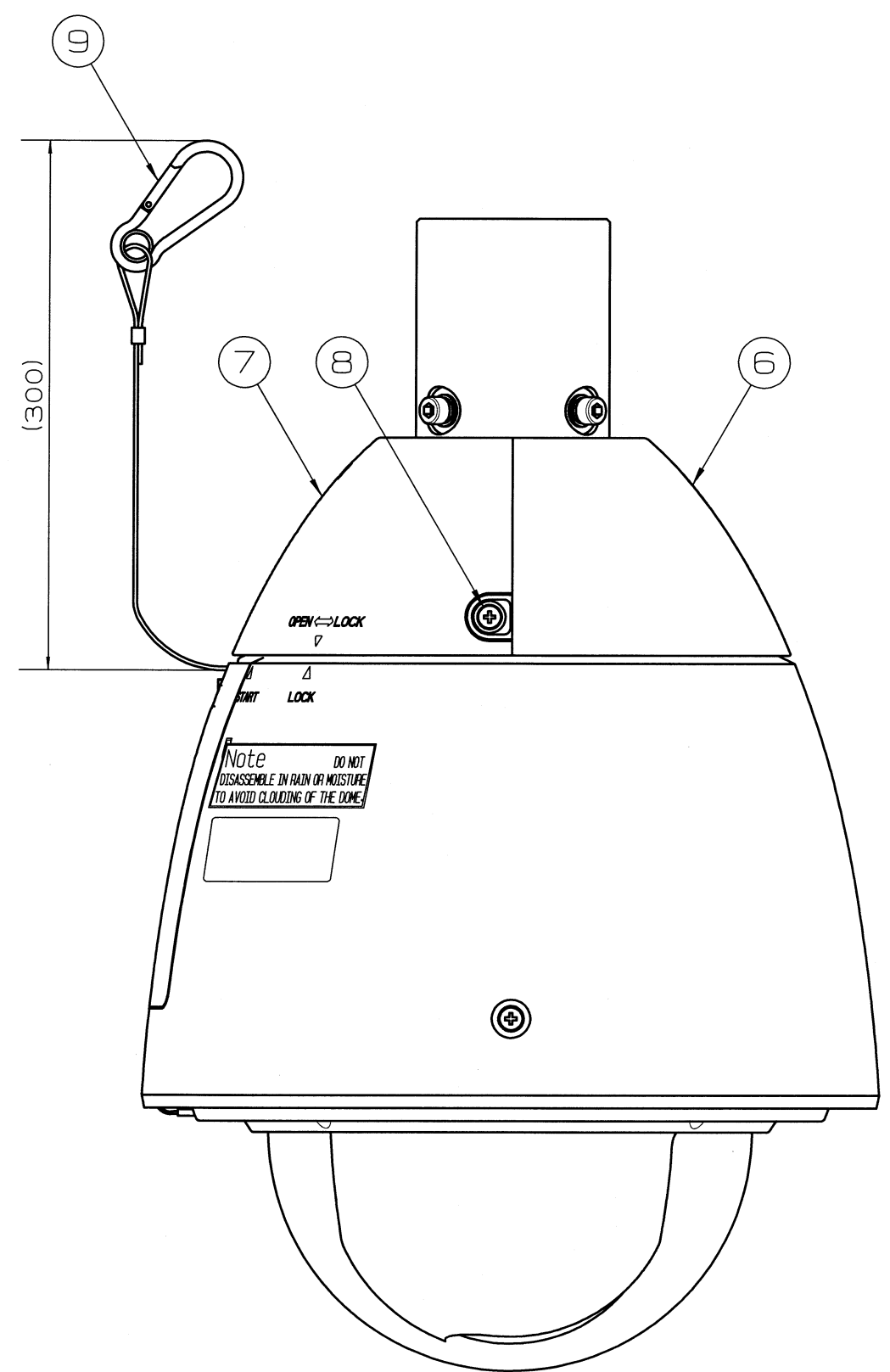
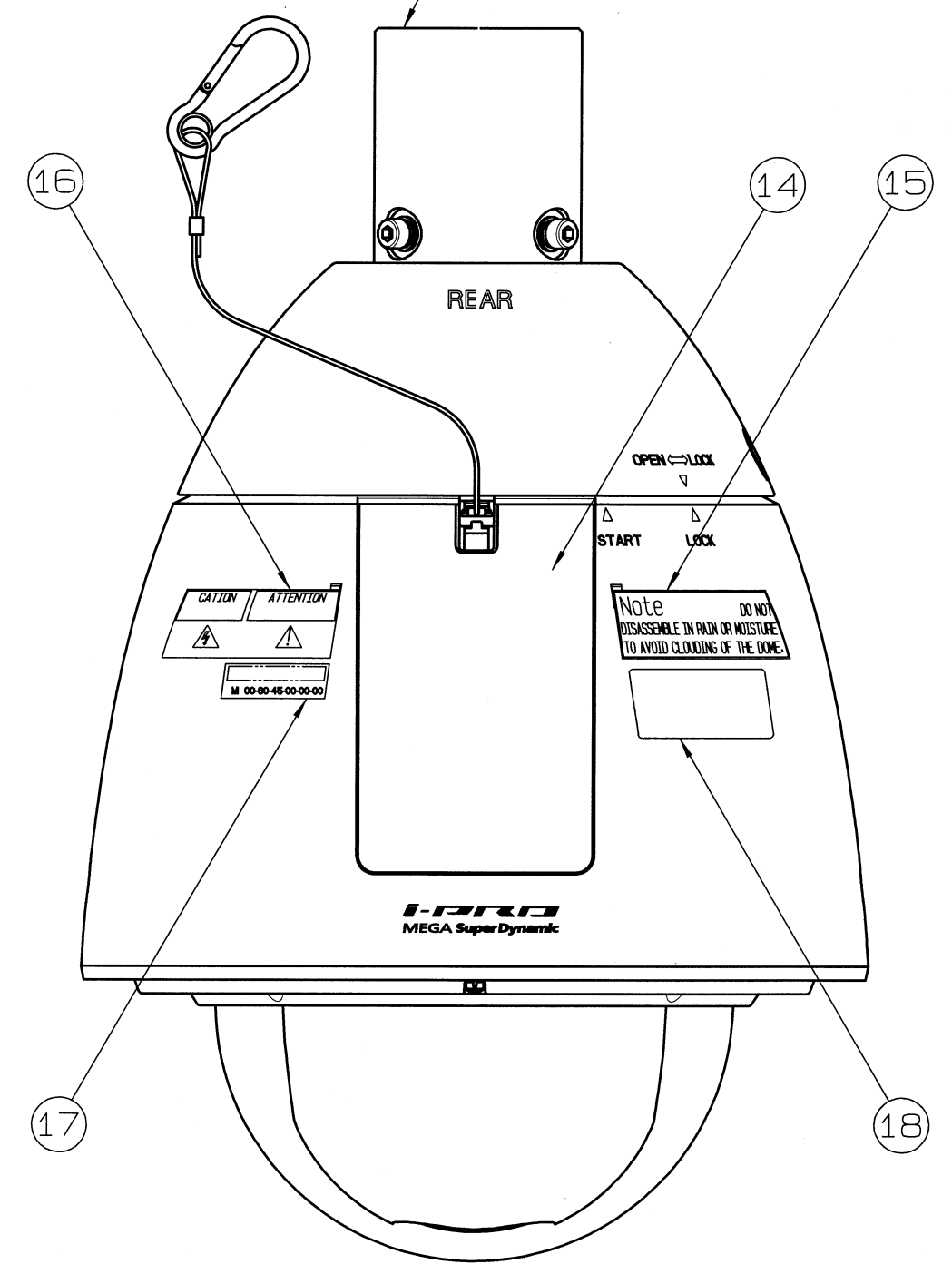
Rp1-1/2 .11crest Depth 30MAX  
(parallel Pipe Thread)



\*Remove the SD sun shield



\*Remove the SD slot cover



SYM	ITEM OR PARTS NO.	NAME	QTY	MATERIAL & SIZE	TREATMENT	REMARK
	1					
	2					
	3					

Panasonic System Networks Co., Ltd.

Unit:mm

REMARK	Weight: Approx.0.86kg	MODEL	WV-SW395P
SCALE	DESIGNED	MATERIAL & SIZE	NAME
1 : 2	Jikihara	PROCESS	APPEARANCE
	10.08.20	CHECKED	DRAWING/Part No.
		APPROVED	110A2631AA
			REF. NO.

Model File Name /  
DWG File Name /