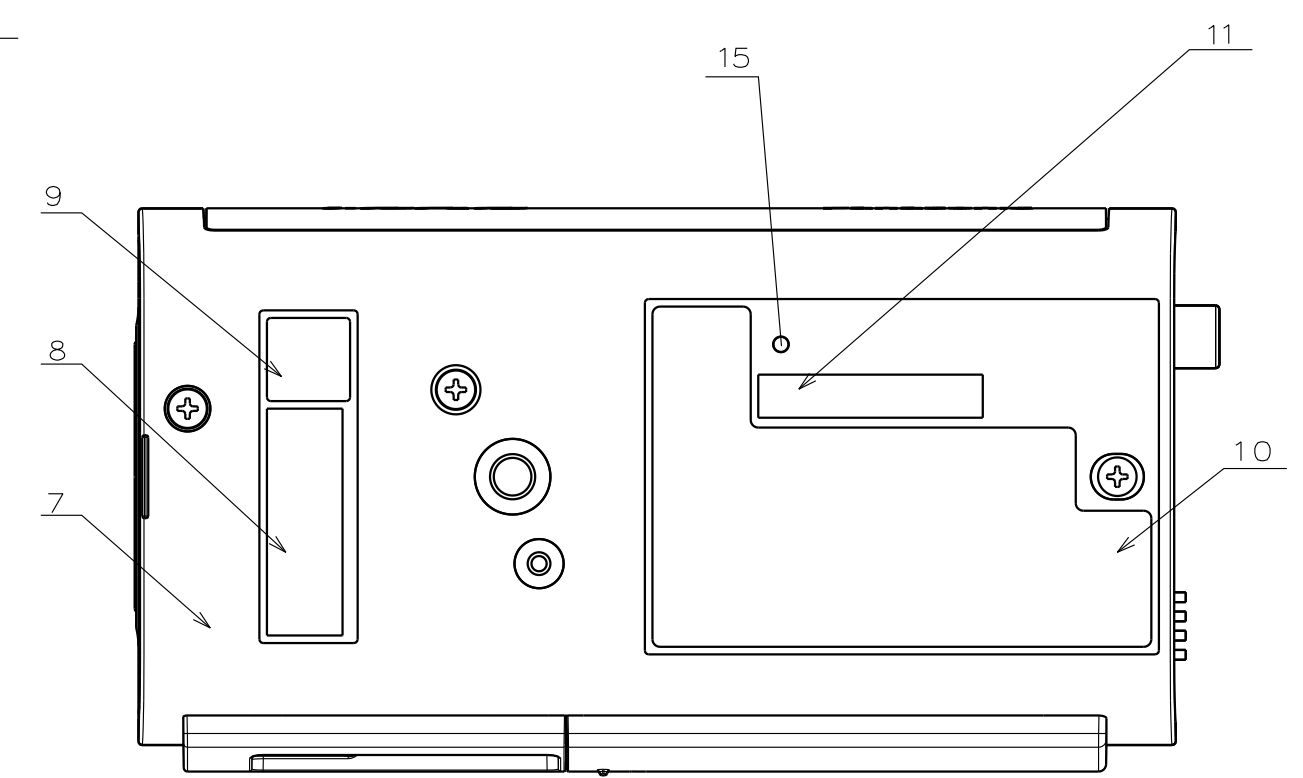
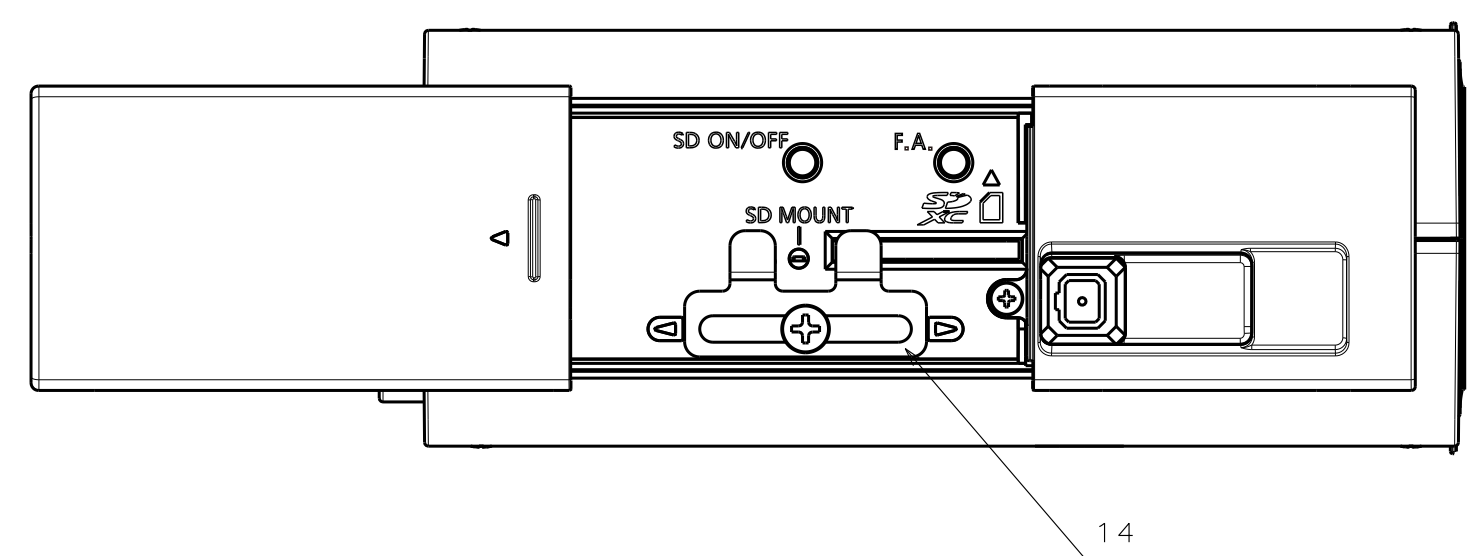
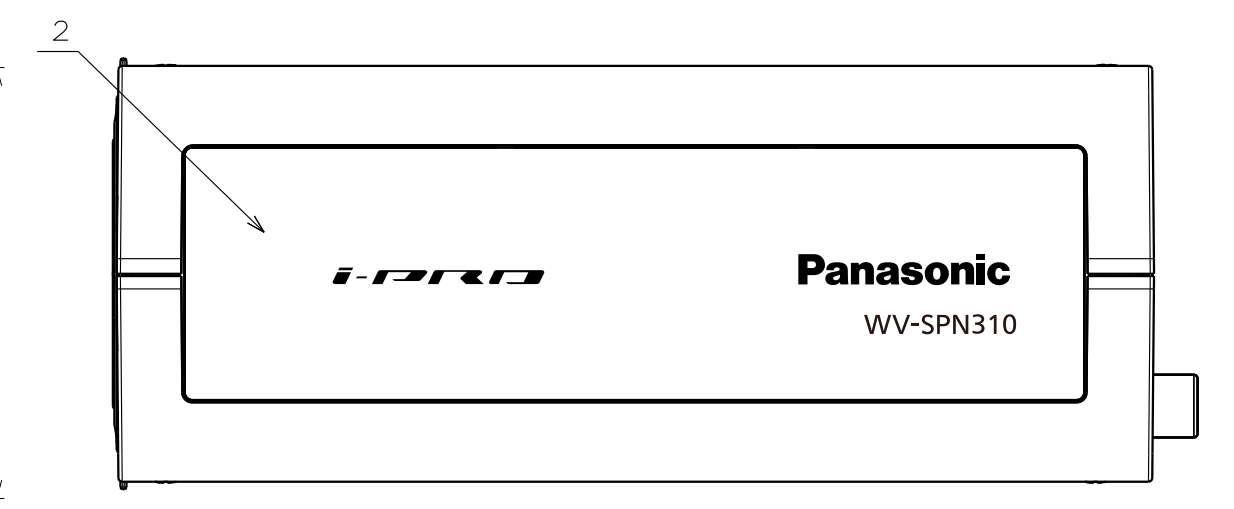
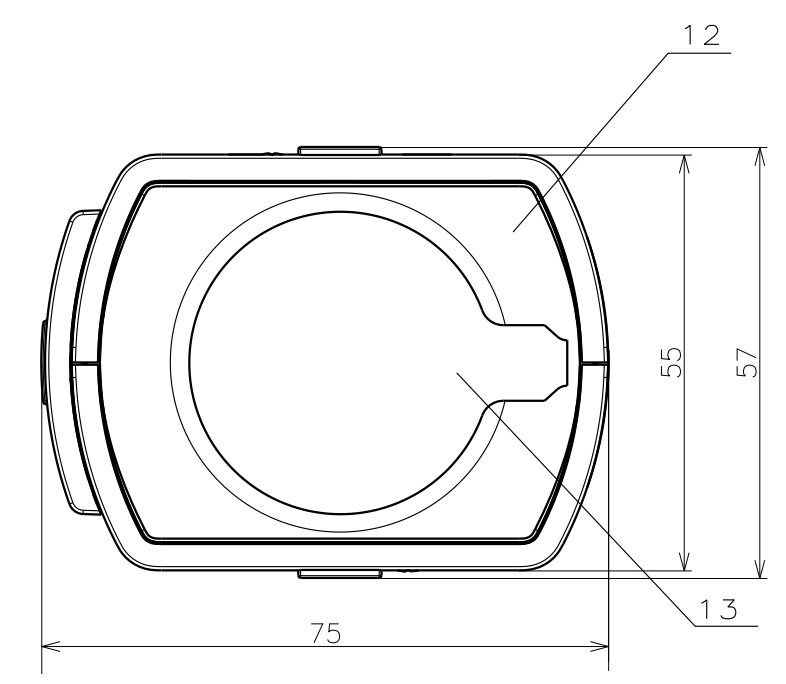
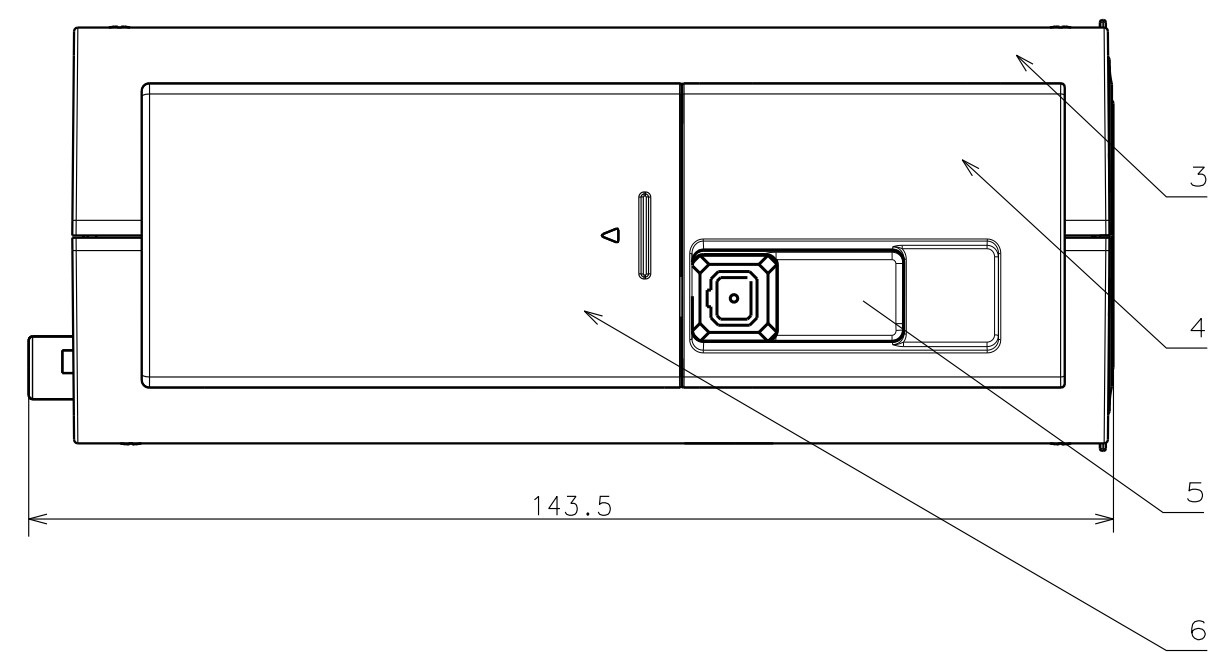
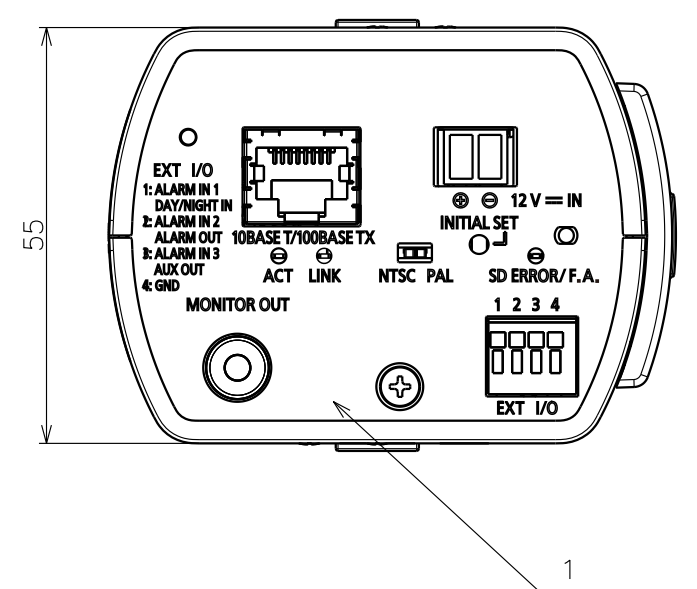
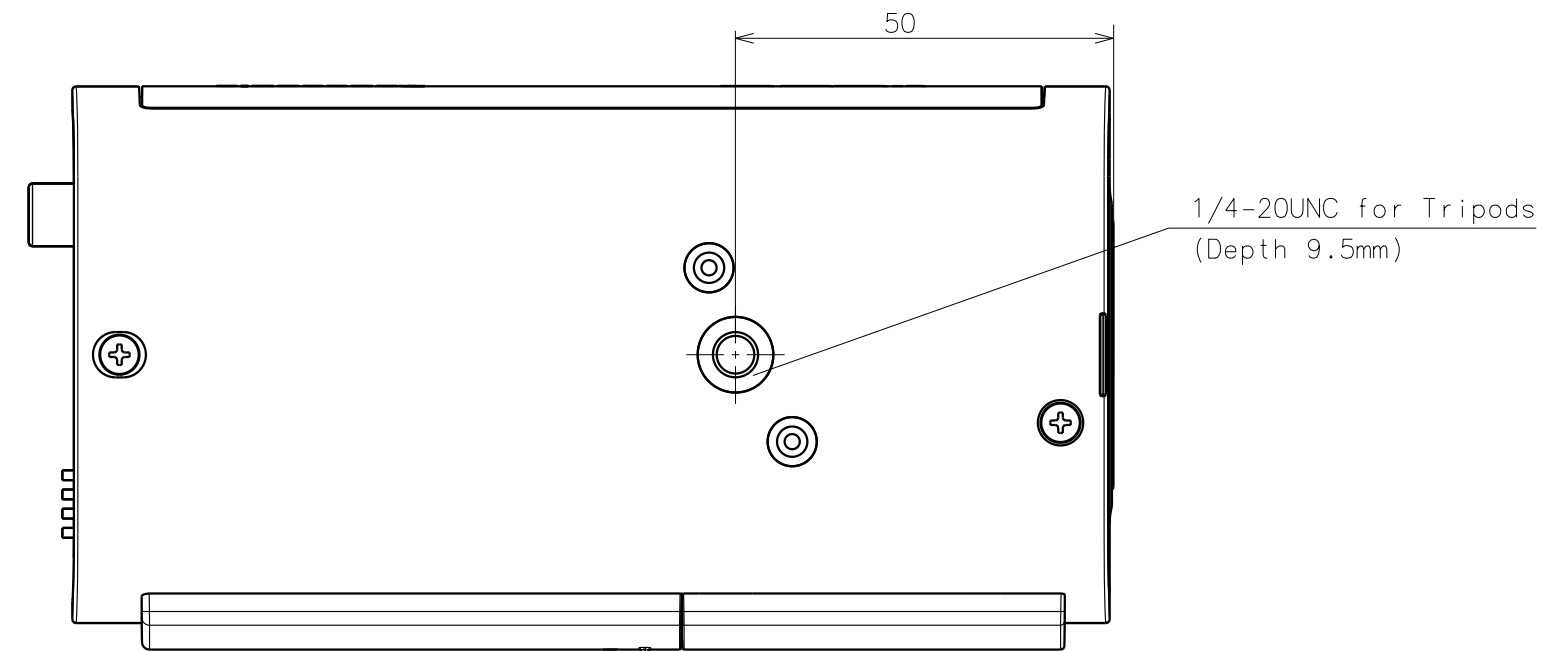


SYM.	DATE	REVISION	SIGNED	CHECKED
△				
△				
△				

NO.1	Name	Material	Processing
1	Rear Cover	PC	Printing
2	Side Cover(L)	ABS+PC	Printing
3	Upper Cover	ABS+PC	
4	CNT Cover	ABS+PC	
5	Side Cover(R)	ABS+PC	
6	SD Cover	ABS+PC	
7	Lower Cover	ABS+PC	
8	Code Label		Printing
9	Data Matrix Label		Printing
10	Name Plate		Printing
11	Serial No. Label		Printing
12	Front Cover	ABS	
13	Mount Label		
14	SD CARD Lock Plate	Aluminium Plate	
15	Mic		



WV-SPN310

Unit:mm