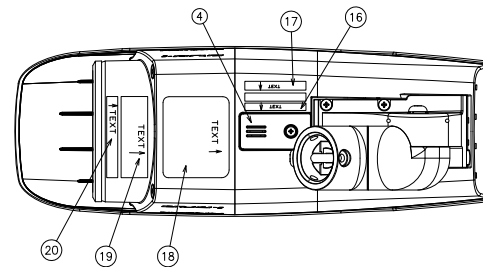
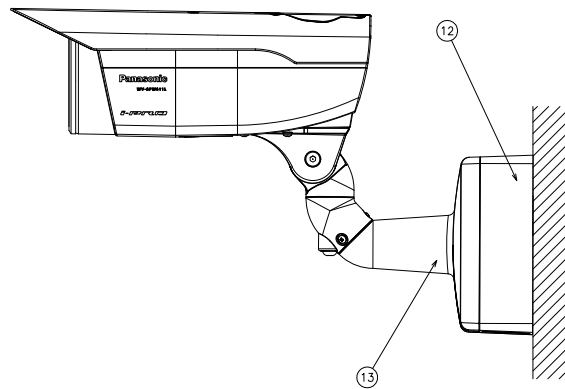
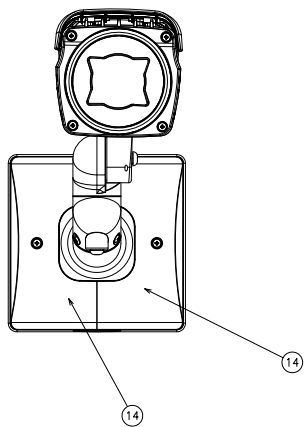
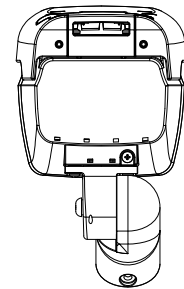
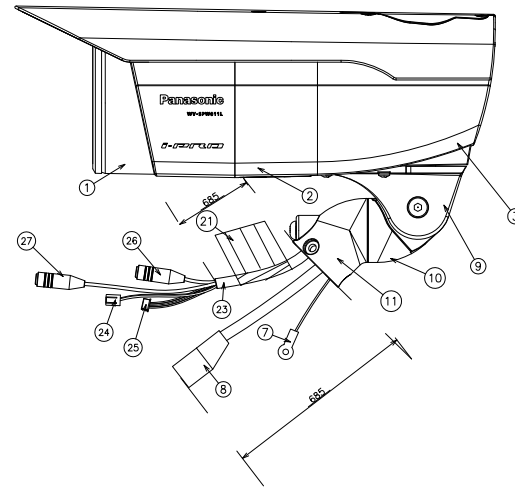
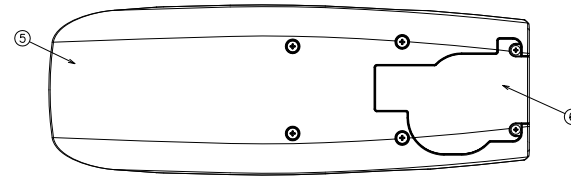
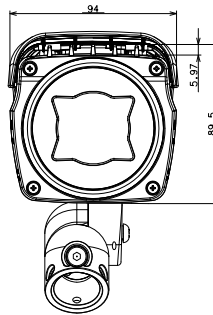
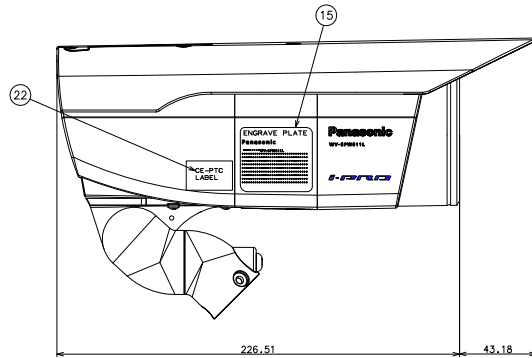


NO.	PART NAME	MATERIALS	PROCESS and OTHERS
1	CASE (FRONT)	Aluminum Die Casting	coating(Silver metallic) printing
2	CASE (MAIN)	Aluminum Die Casting	coating(Silver metallic)
3	COVER (BACK)	PC+ABS	coating(Silver metallic)
4	COVER (ROBARU)	PC+ABS	coating(Silver metallic)
5	COVER (SUN SHIELD)	PC+ABS	coating(Silver metallic)
6	COVER (SUN SHIELD COVER)	PC+ABS	coating(Silver metallic)
7	SAFETY WIRE		
8	NETWORK CABLE		
9	CAMERA BASE	Aluminum Die Casting	coating(Silver metallic)
10	BRACKET A	Aluminum Die Casting	coating(Silver metallic)
11	BRACKET B	Aluminum Die Casting	coating(Silver metallic)
12	BASE	Aluminum Die Casting	coating(Silver metallic)
13	SUPPORT	Aluminum Die Casting	coating(Silver metallic)
14	SUPPORT COVER	AES	coating(Silver metallic)
15	ENGRAVE PLATE	POLYESTER FILM	printing
16	SERIAL NUMBER LABEL		printing
17	DATE CODE LABEL		printing
18	FOG/DOC LABEL	POLYESTER FILM	printing
19	SAFETY LABEL (LENS COVER)	POLYESTER FILM	printing
20	CAUTION LABEL (MOLD-P)	POLYESTER FILM	printing
21	CABLE LABEL	POLYESTER FILM	printing
22	CE-PTC LABEL	POLYESTER FILM	printing
23	COMPOSITE CABLE		
24	POWER CABLE		
25	ALARM I/O CABLE		
26	AUDIO OUT CABLE		BLACK
27	MIC./LINE IN CABLE		WHITE



Unit:mm

WV-SPW611L