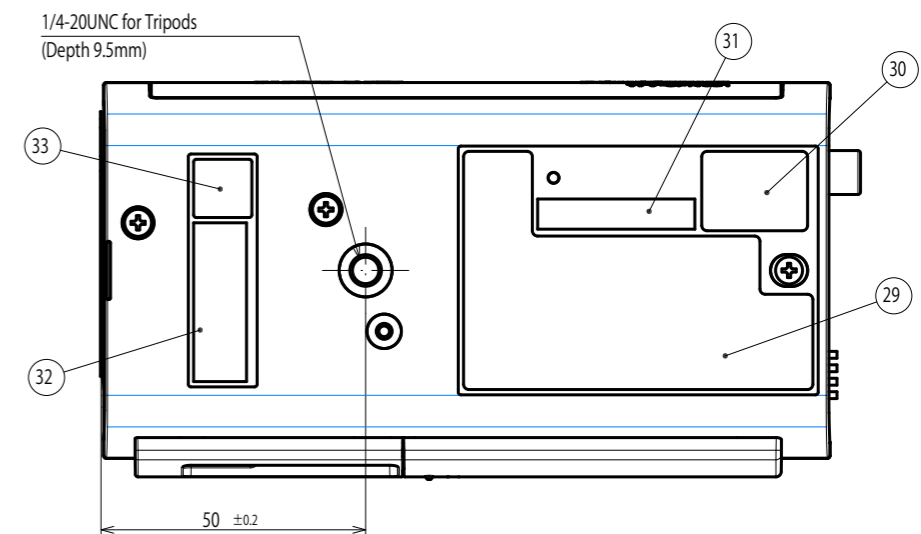
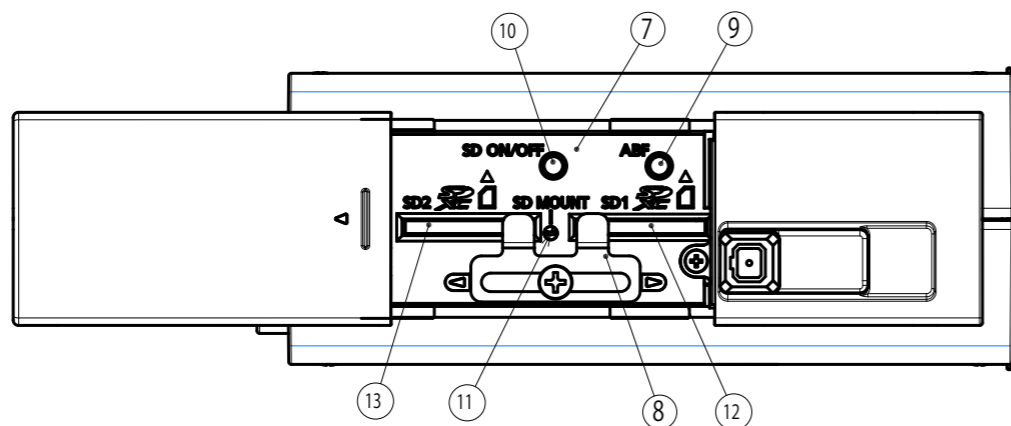
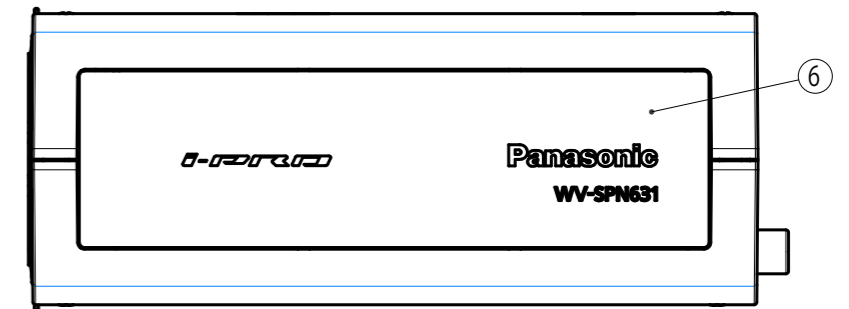
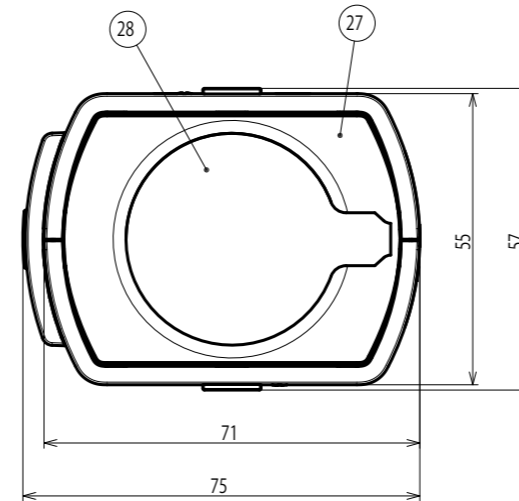
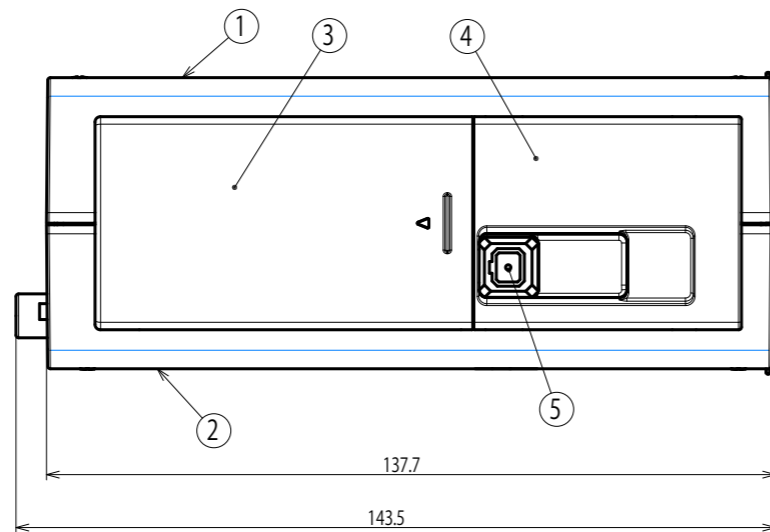
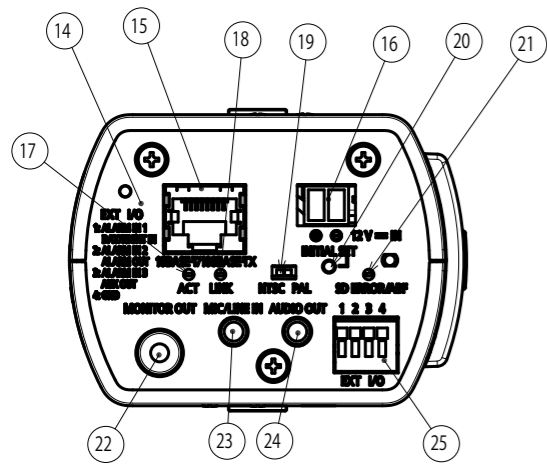
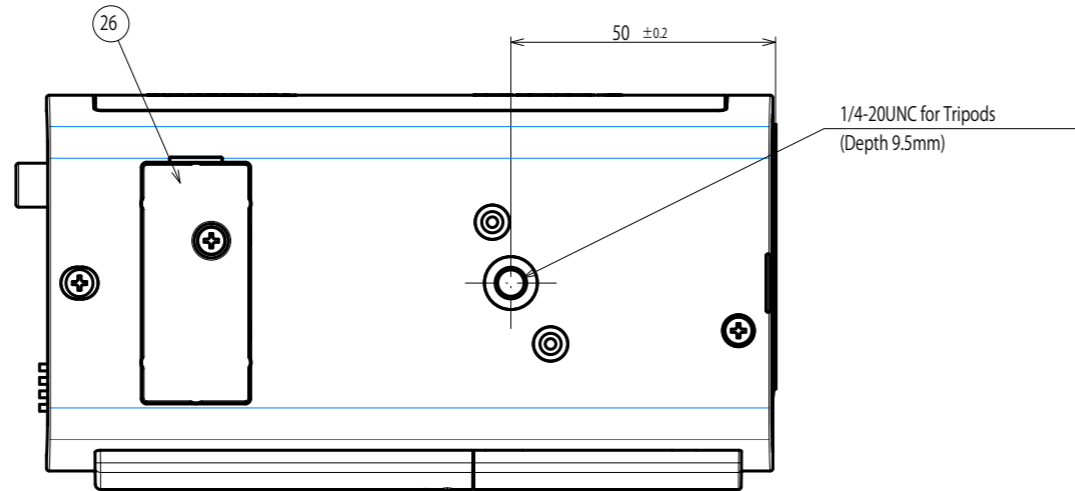


No.	Part Name	Material	Process-Remark
1	Upper Case	PC+ABS	
2	Lower Case	PC+ABS	
3	Side Cover(SD CARD)	PC+ABS	
4	Side Cover(Connector)	PC+ABS	
5	ALC Connector		
6	Side Panel(Right)	PC+ABS	
7	Side Panel(Left)	ABS	
8	SD CARD Lock Plate	Aluminium Plate	
9	ABF Switch		
10	SD ON/OFF Switch		
11	SD Mount LED		
12	SD CARD Socket 2		
13	SD CARD Socket 1		
14	Rear Panel	PC	
15	RJ-45 Connector		
16	DC 12V INPUT Terminal		
17	ACT LED		
18	LINK LED		
19	NTSC/PAL Switch		
20	INITIAL Switch		
21	SD Error/ABF LED		
22	MONITOR OUTPUT Jack		
23	MIC/LINE INPUT Jack		
24	AUDIO OUTPUT Jack		
25	EXT I/O Connector		
26	Rear Option Cap	PC+ABS	
27	Front Panel	ABS	
28	Mount Label		
29	Name Plate	Polyester Film	
30	Production Year Label	Polyester Film	
31	Serial Number Label	Polyester Film	
32	MAC Address Label	Polyester Film	
33	Date Matrix Label	Polyester Film	



WV-SPN631