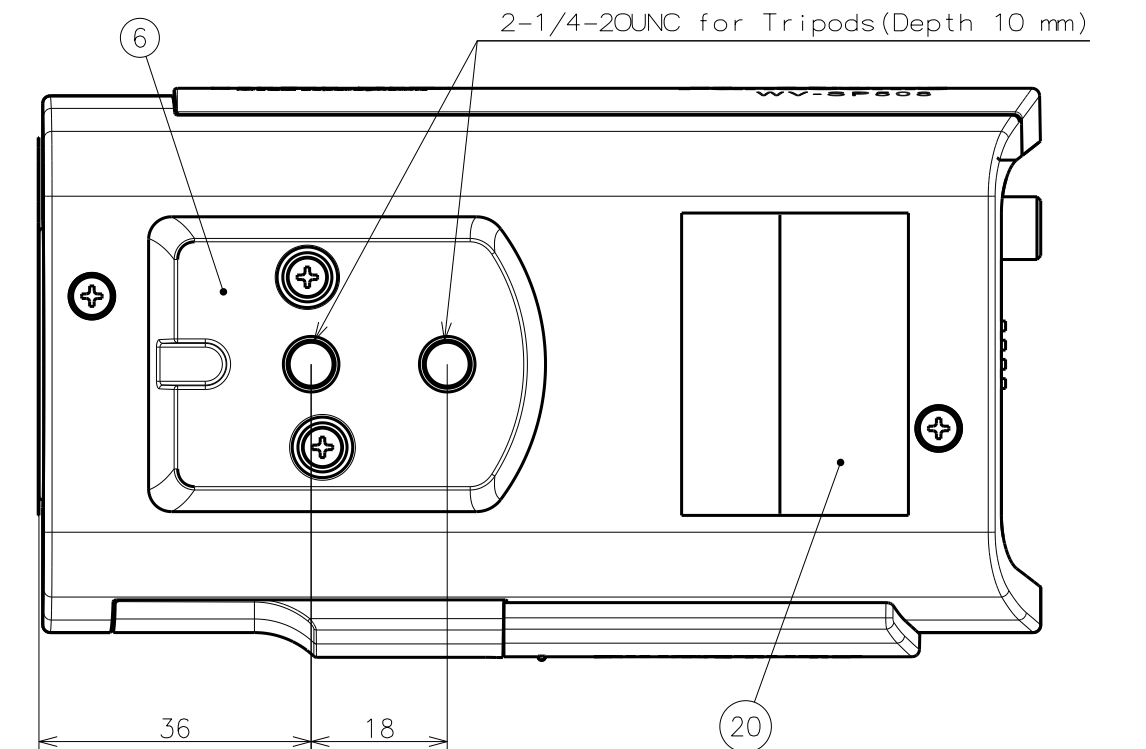
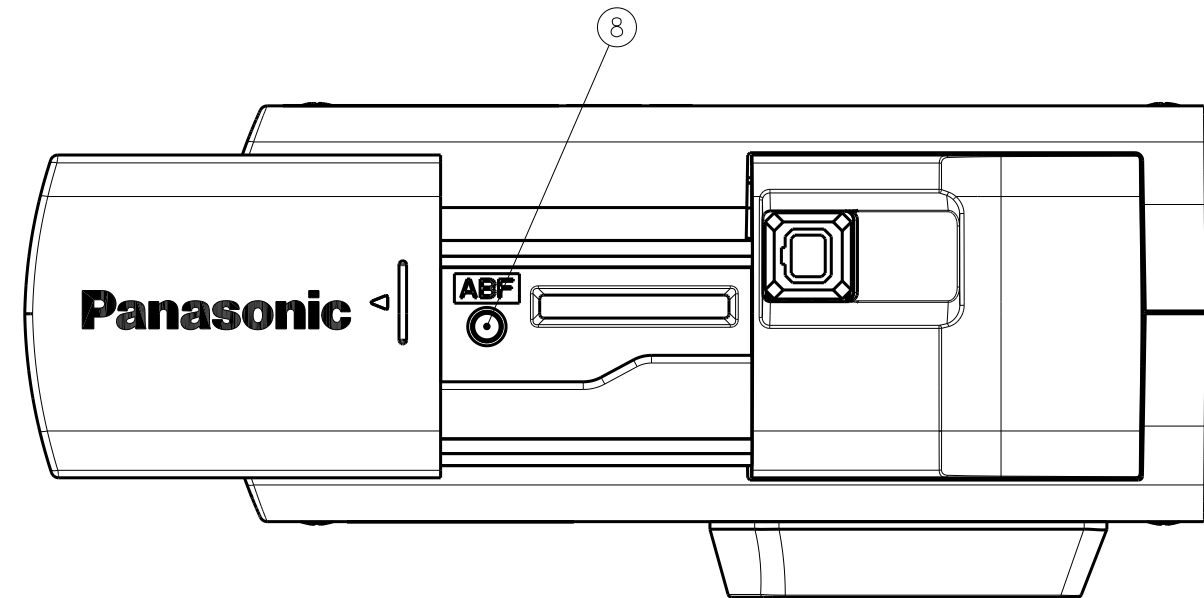
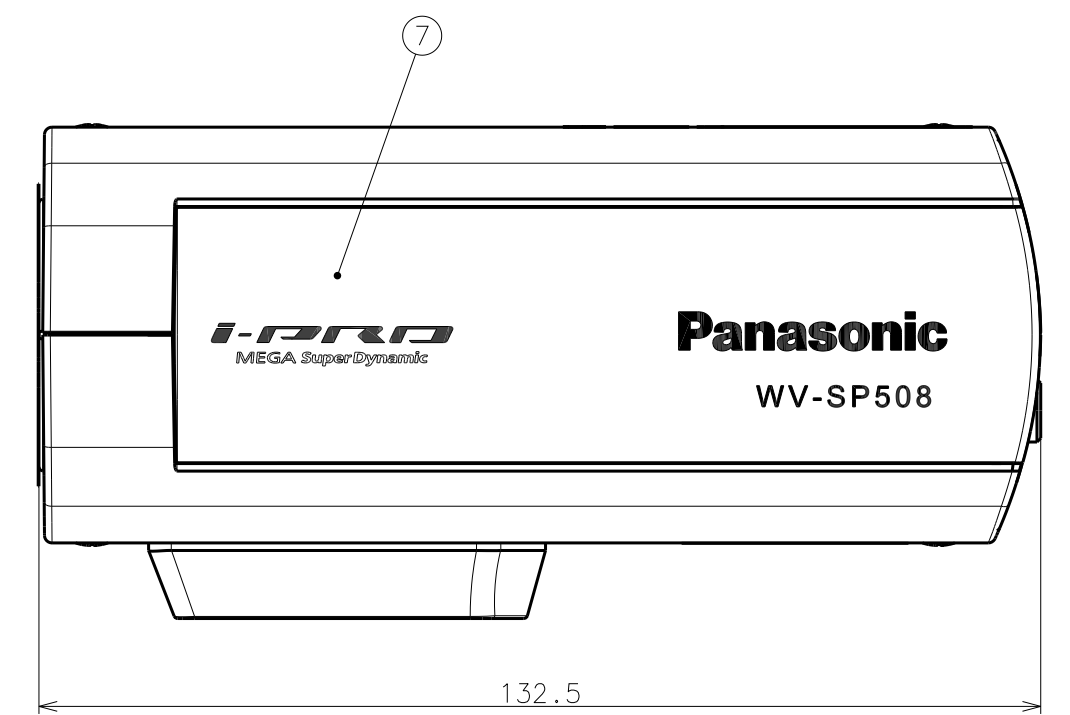
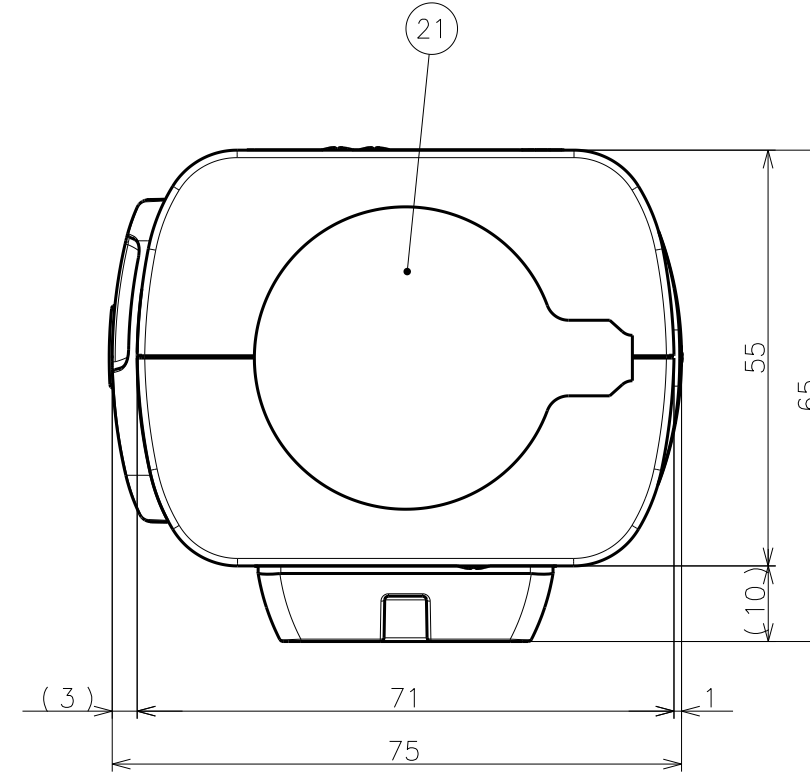
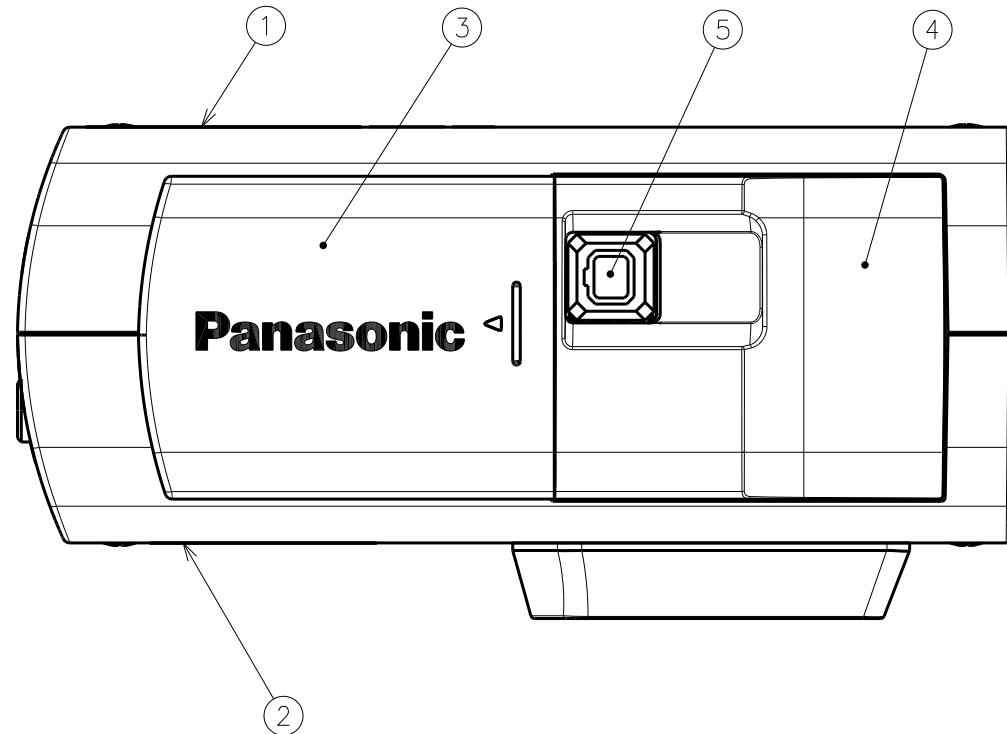
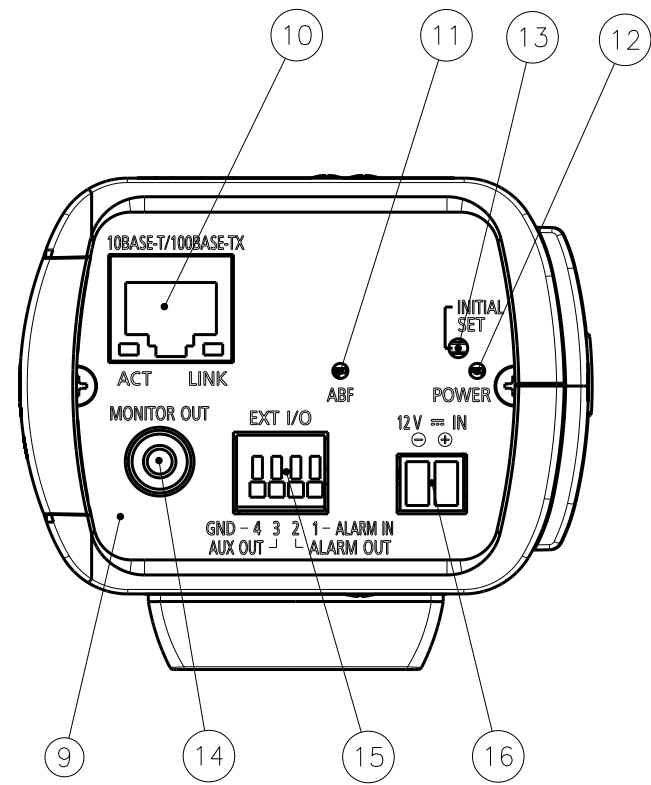
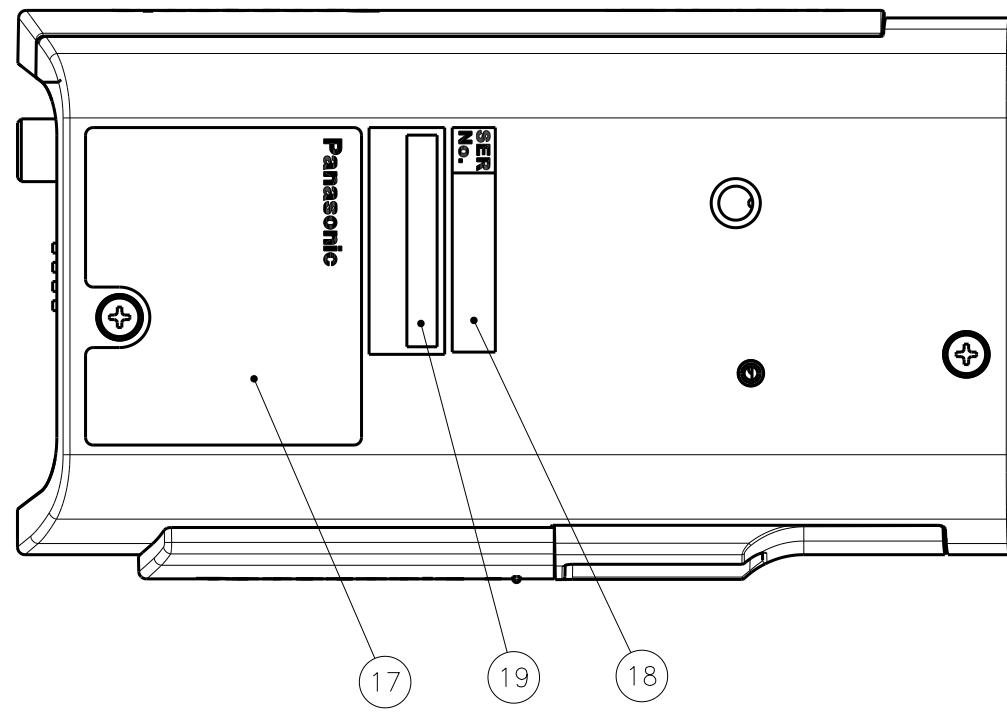


・パナソニックグループ化学物質管理ランク最新版(製品版)を遵守すること。
 URL:http://panasonic.co.jp/eco/topics/suppliers/
 ・Observe the Panasonic Group Chemical Substances Management Rank Guidelines
 latest version (For Products).
 URL:http://panasonic.net/eco/topics/suppliers/

No.	Part Name	Material	Process・Remark
1	Upper Cover	ABS	
2	Lower Cover	ABS	
3	Side Cover	ABS	
4	Side Panel(SD CARD)	ABS	
5	ALC Connector		
6	Mount Adaptor	ABS/PC	
7	Side Panel(Right)	ABS	
8	ABF Switch		
9	Rear Panel	Aluminium Plate	
10	RJ-45 Connector		
11	ABF LED		
12	POWER LED		
13	INITIAL SET Switch		
14	MONITOR OUTPUT Jack		
15	EXT I/O Connector		
16	DC 12V INPUT Terminal		
17	Name Plate	Polyester Film	
18	Serial Number Label	Polyester Film	
19	Code Label		
20	FCC/DOC Label	Polyester Film	
21	Mount Label		



SYM.	DATE	REVISION	SIGNED	CHECKED

Unit:mm

REMARK				MODEL	
WEIGHT: Approx. 420g				WV-SP508P	
SCALE	DESIGNED	DRAWN	CHECKED	APPROVED	NAME
1:1	OHYA	Kawamoto			APPEARANCE
	2011/AUG/06	2011/AUG/06			DRAWING/ Part NO.
					REF. NO.