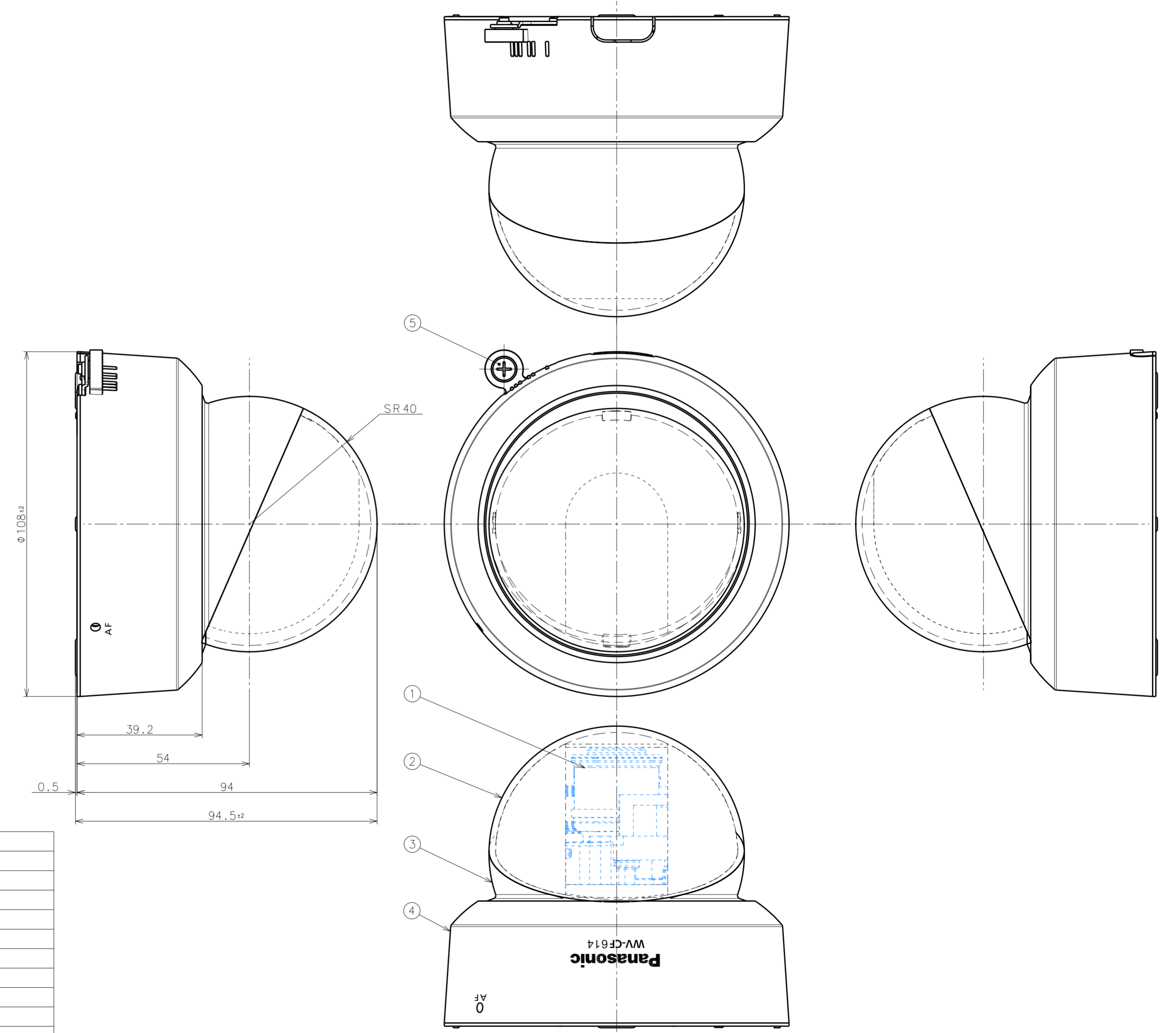
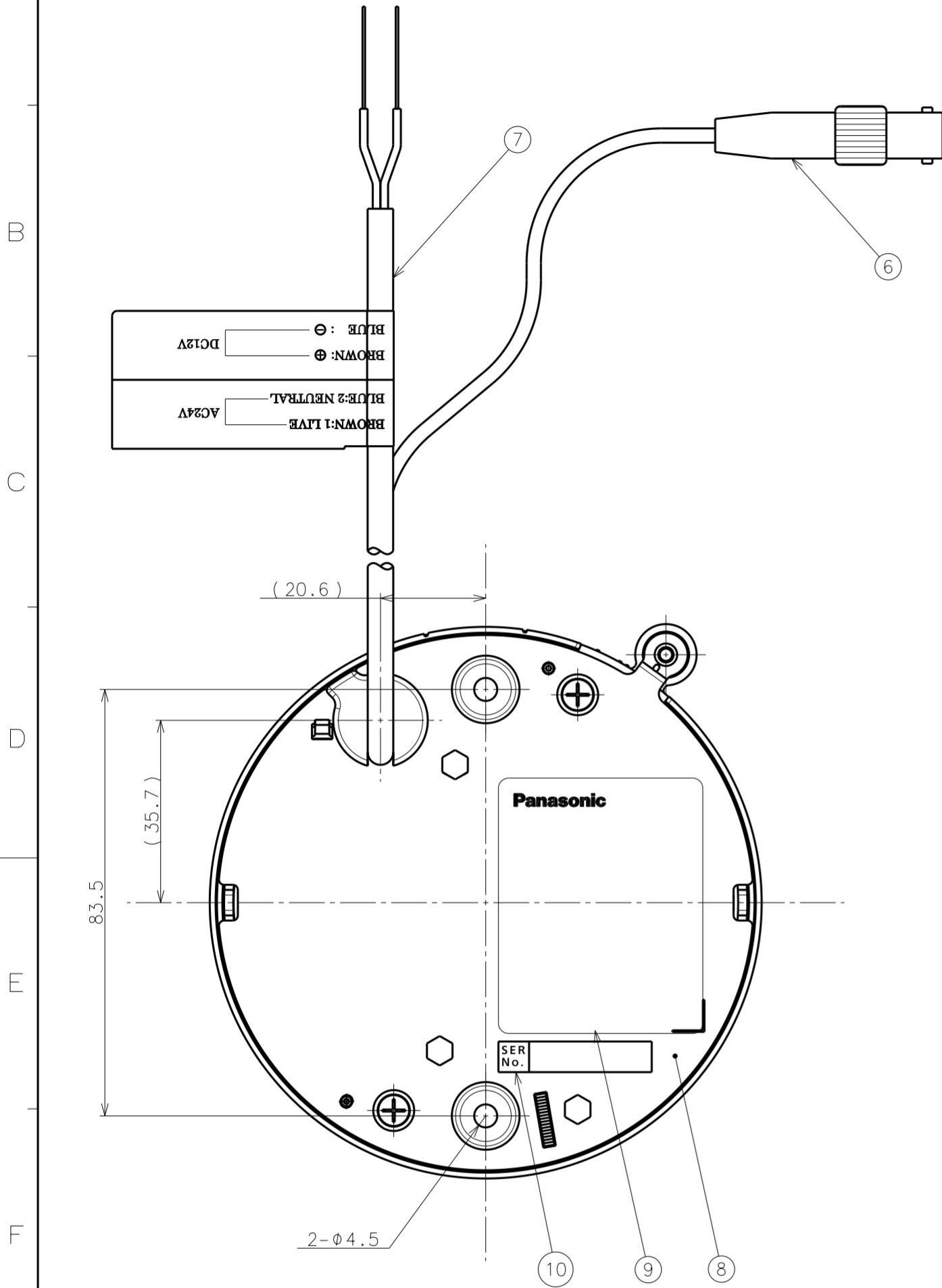


・パナソニックグループ化学物質管理ランク最新版（製品版）を遵守すること。
 URL: <http://panasonic.co.jp/eco/topics/suppliers/>
 ・Observe the Panasonic Group Chemical Substances Management Rank Guidelines latest version (For Products).
 URL: <http://panasonic.net/eco/topics/suppliers/>

SYM.	DATE	REVISION	SIGNED	CHECKED
△				
△				
△				



SYM.	ITEM OR PARTS No.	NAME	QTY	MATERIAL & SIZE	TREATMENT	REMARK
10		Serial Number Label	1	Polyester Film		
9		Name Plate Label	1	Polyester Film		
8		Main Chassis	1	EGC20/20QF1 t1.0		
7		Power Cable	1			
6		Video Output Connector	1			
5		Top Cover Fixing Screw	1			
4		Top Cover	1	ABS Regin		
3		Inner Dome	1	ABS Regin		
2		Dome Cover	1	PC Regin		
1		Lenz	1			

REMARK		MATERIAL & SIZE			PROCESS		MODEL	APPEARANCE
Weight: 320g±20g							WV-CF614E	
SCALE	DESIGNED	DRAWN	CHECKED	APPROVED		NAME		
1:1	Yoshikuni 2011.06.01	Hirako 2011.10.25	Yoshikuni 11.10.25			DRAWING/ Part NO.		
							REF.NO.	/