

NTSC WV-CP300 (120 V AC)	PAL WV-CP300 (220 ~ 240 V AC)
WV-CP304 (24 V AC or 12 V DC)	WV-CP304 (24 V AC or 12 V DC)
WV-CP310 (120 V AC)	WV-CP310 (220 ~ 240 V AC)
WV-CP314 (24 V AC or 12 V DC)	WV-CP314 (24 V AC or 12 V DC)

Lens: optional



(WV-CP310/WV-CP314) (WV-CP300/WV-CP304)



Compact Day/Night Fixed Camera with advanced features

Key Features

- High resolution: 650 TV lines
- High sensitivity with Day/Night function: 0.08 lx (Color), 0.008 lx (B/W) at F1.4. IR cut filter switches on/off to enhance the sensitivity in B/W mode. (WV-CP310/WV-CP314)
- High sensitivity with Day/Night (electrical) function: 0.08 lx (Color), 0.05 lx (B/W) at F1.4 (WV-CP300/WV-CP304)
- ABS (Adaptive Black Stretch) enhances visibility of dark area without degrading image quality in bright area.
- Focus Assist ensures easy installation.
- Various adjustment features including BLC (Back-Light Compensation), ATW (Auto Tracing White Balance) and ALC (Automatic Light Control)
- 16 axis matrix color compensation function enables wider range of natural color adjustment.
- Adaptive Digital Noise Reduction: Integration of 2D-DNR and 3D-DNR ensures noise reduction in various conditions.
- Electronic sensitivity enhancement: Auto (Up to 32x) / Fix (Up to 512x)
- Electronic shutter from 1/100 (NTSC), 1/120 (PAL) to 1/120,000 sec.
- Digital zoom: Up to 2x
- Auto Image Stabilizer for applications where vibration or wind is a concern
- Internal / Multiplexed Vertical Drive (VD2)* synchronization
- Over the coaxial cable data communication
- 16 alphanumeric camera title display

- Multi language: English, French, Italian, Spanish, German, Russian, Chinese, Japanese
- Lens Distortion Correction
- On screen display menu
- ELC mode for easier lens adjustment upon installation

* NTSC model only

Standard Accessories

• Installation Guide..... 1 pc.	The following items are for installation.
• CD-ROM* 1 pc.	Power Cord (Only for WV-CP300,WV-CP310)
 1 pc.
	Power Cord Plug (Only for WV-CP304,WV-CP314)
*The CD-ROM contains the operating instructions (PDF). 1 pc.

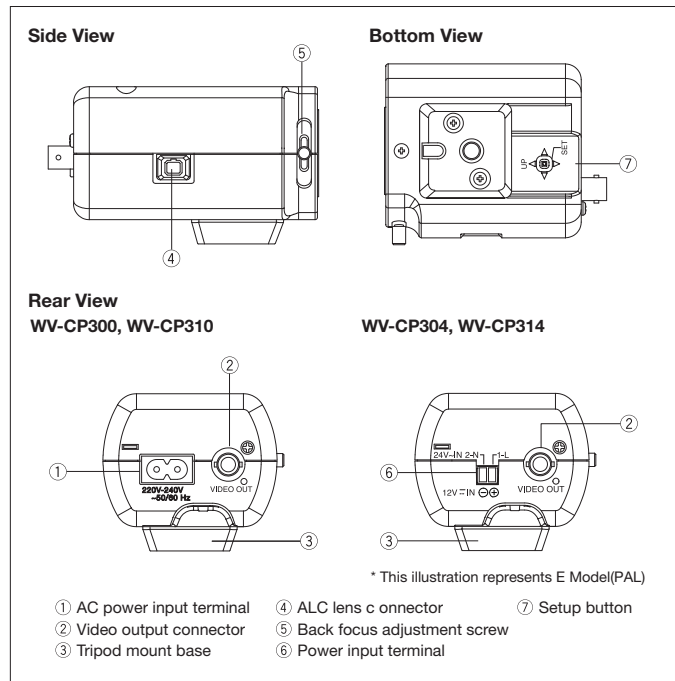
Optional Accessories

<p>1/3 type 2x Varifocal Lens WV-LZA61/2S (3.8 ~ 8 mm) F1.4 (Wide) F1.8 (Tele)</p> 	<p>1/3 inch High Resolution 2x Varifocal Lens WV-LZA62/2 (2.8 ~ 6 mm) F1.4 (Wide) F2.1 (Tele)</p> 	<p>1/3 inch 8x Varifocal Lens WV-LZ62/8S (5 ~ 40 mm) F1.6 (Wide) F1.9 (Tele)</p> 
--	--	---

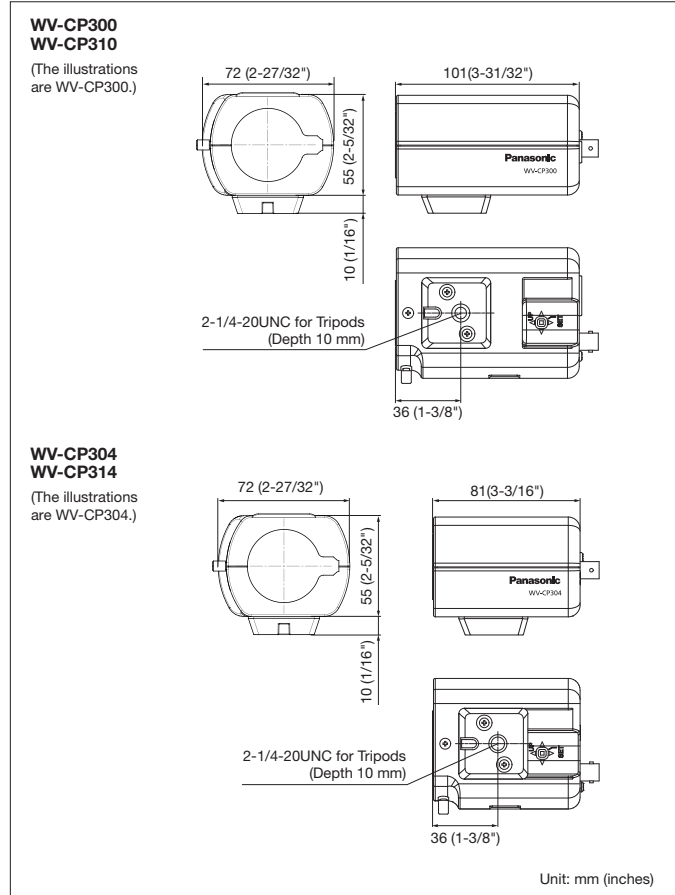
Specifications

TV System	NTSC	PAL
Camera	1/3 type interline transfer CCD	
Image Sensor	976 (H) x 494 (V)	976 (H) x 582 (V)
Effective Pixels	976 (H) x 494 (V)	976 (H) x 582 (V)
Scanning Mode	2:1 interlace	
Scanning Area	4.8 (H) x 3.6 (V) mm	
Scanning Frequency	Horizontal: 15.734 kHz Vertical: 59.94 Hz	Horizontal: 15.625 kHz Vertical: 50.00 Hz
Horizontal Resolution	650 TV lines	
Minimum Illumination	Color: WV-CP310/WV-CP314 0.08 lx (F1.4, Sens Up: Off, AGC: High) WV-CP300/WV-CP304 0.08 lx (F1.4, Sens Up: Off, AGC: High) B/W: WV-CP310/WV-CP314 0.008 lx (F1.4, Sens Up: Off, AGC: High) WV-CP300/WV-CP304 0.05 lx (F1.4, Sens Up: Off, AGC: High)	
Signal-to-Noise Ratio	52 dB (AGC: OFF)	
White Balance	AWC (2,000 ~ 10,000 K), ATW1 (2,700 ~ 8,000 K), ATW2 (2,400 ~ 8,000 K)	
Light Control	ALC/ALC+ELC	
AGC	ON (LOW, MID, HIGH) / OFF	
Electronic Shutter	OFF (1/60), AUTO, 1/100, 1/250, 1/500, 1/1,000, 1/2,000, 1/4,000, 1/10,000, 1/120,000	OFF (1/50), AUTO, 1/120, 1/250, 1/500, 1/1,000, 1/2,000, 1/4,000, 1/10,000, 1/120,000
Electronic Sensitivity UP	32x max. AUTO, 512x max. FIX	
Day & Night	WV-CP310/WV-CP314 : Day & Night (IR) Off / Auto1 / Auto2 / On WV-CP300/WV-CP304 : Day & Night (Electoral) Off / Auto	
Digital Noise Reduction	High or Low	
Scene File	2 patterns	
Video Motion Detection	OFF / MOTION DET / SCENE CHANGE	
Privacy Zone	ON (1) / ON (2) / OFF, up to 8 zones	
Auto Image Stabilizer	ON / OFF	
Camera Title	16 alphanumeric characters	
Synchronization	Internal (INT) / Multiplexed Vertical Drive (VD2)	Internal (INT)
Input/Output	Video Output	1.0 V [p-p] / NTSC composite 75
Controller Interface	Coaxial Multiplex System	
General	Setup Method	OSD setup menu
Language	English, Russian, German, French, Italian, Spanish, Chinese, Japanese	
Safety / EMC Standard	UL (UL60665), FCC (Part 15 ClassA), C-UL (E60665), DOC (ICES-003)	CE (EN60065, EN55022 ClassB, EN55024), GOST (GOST R 51558)
Power Source and Power Consumption	WV-CP310/WV-CP300: 120 V AC, 60 Hz, 1.9 W WV-CP314/WP-CP304: 12 V DC, 210 mA 24 V AC, 60 Hz, 2.3 W	WV-CP310/WV-CP300: 220-240 V AC, 50/60 Hz, 2.3 W WV-CP314/WP-CP304: 12 V DC, 180 mA 24 V AC, 50/60 Hz, 2.1 W
Ambient Operating Temperature	-10 °C ~ +50 °C (14 °F ~ 122 °F)	
Ambient Operating Humidity	90 % or less (without condensation)	
Dimensions	WV-CP310/WV-CP300: 72 mm (W) x 55 mm (H) x 101 mm (D) WV-CP314/WP-CP304: 72 mm (W) x 55 mm (H) x 81 mm (D)	
Mass (approx.)	WV-CP310: 190 g WV-CP314: 160 g WV-CP300: 190 g WV-CP304: 160 g	WV-CP310: 180g WV-CP314: 160g WV-CP300: 180g WV-CP304: 150g
Finish	ABS resin / Sail White	

Part Names and Functions



Appearance



Trademarks and registered trademarks

– Microsoft, and Windows are registered trademarks of Microsoft Corporation in the U.S. and other countries.

Important

– Safety Precaution: carefully read the operating instructions and installation manual before using this product.

– "Super Dynamic", "SDII", "SDIII", "SD5", "SD5Link", "SD6", "i-PRO" and "i-PRO SmartHD" logos are trademarks or registered trademarks of Panasonic Corporation.

- All TV pictures are simulated.
- Weights and dimensions are approximate.
- Specifications are subject to change without notice.
- These products may be subject to export control regulations.
- All product pictures are NTSC models.

DISTRIBUTED BY:

Panasonic[®]

<http://panasonic.net/security/>

Printed in Japan (2A-082AL)