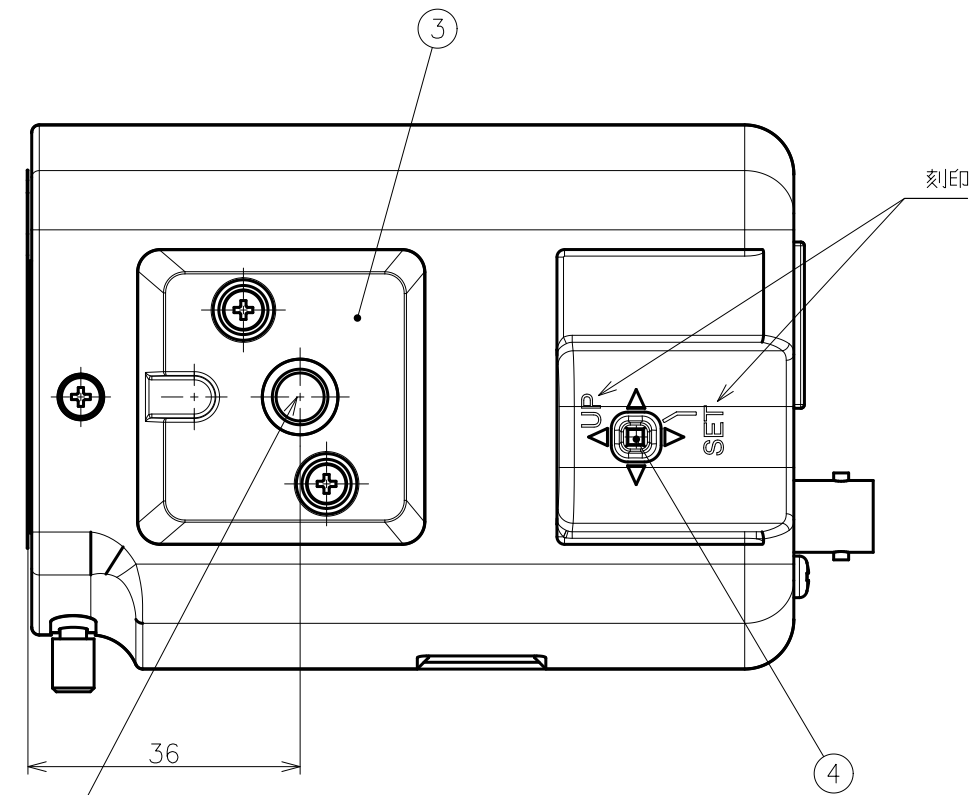
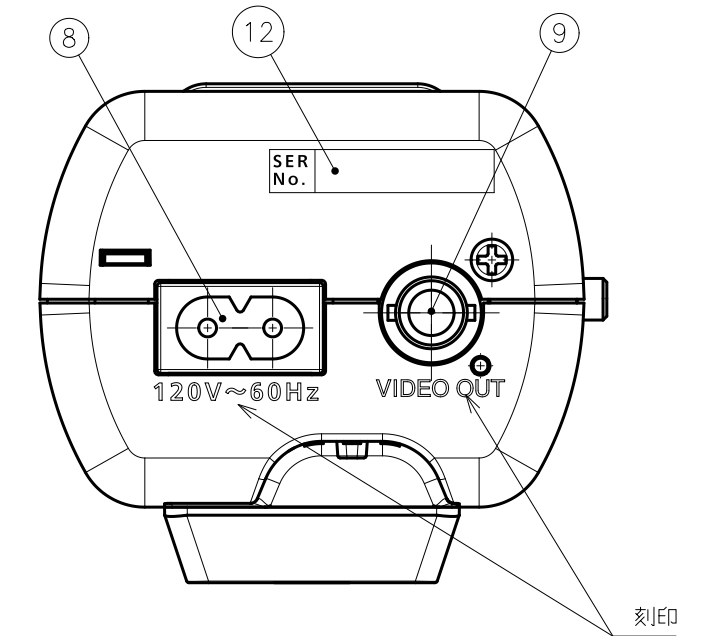
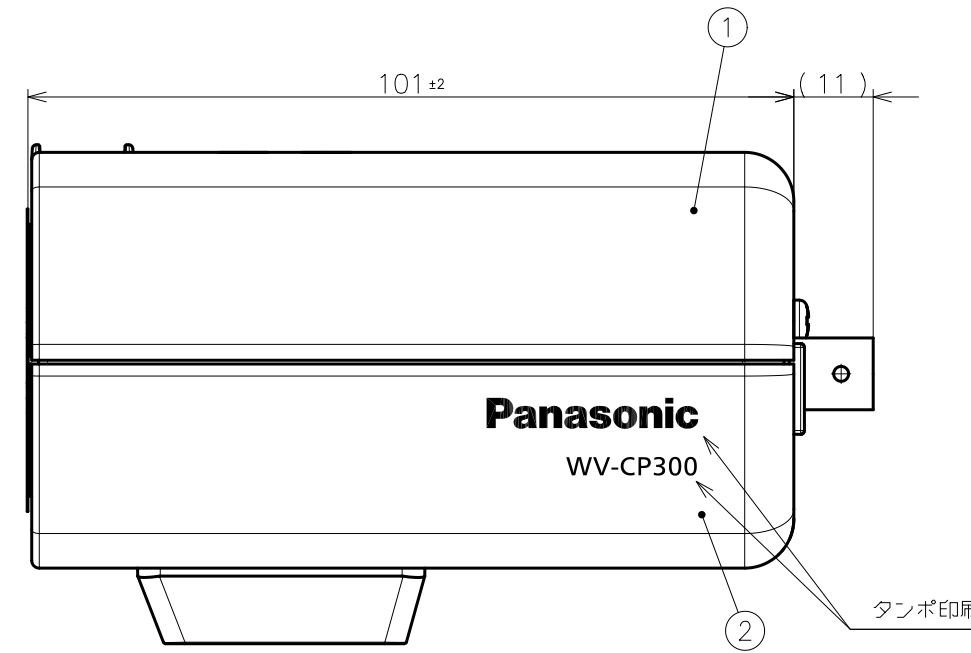
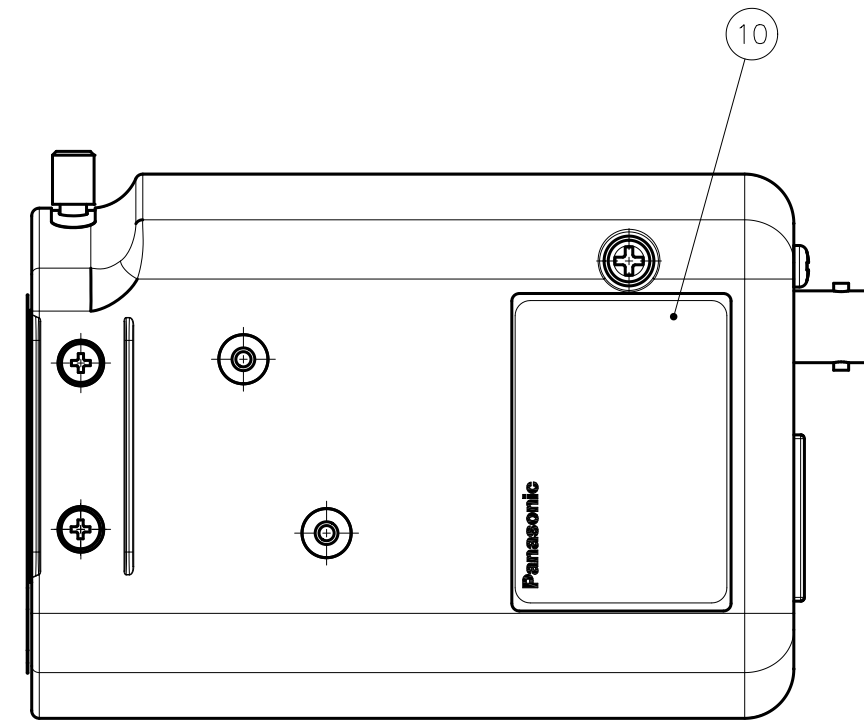
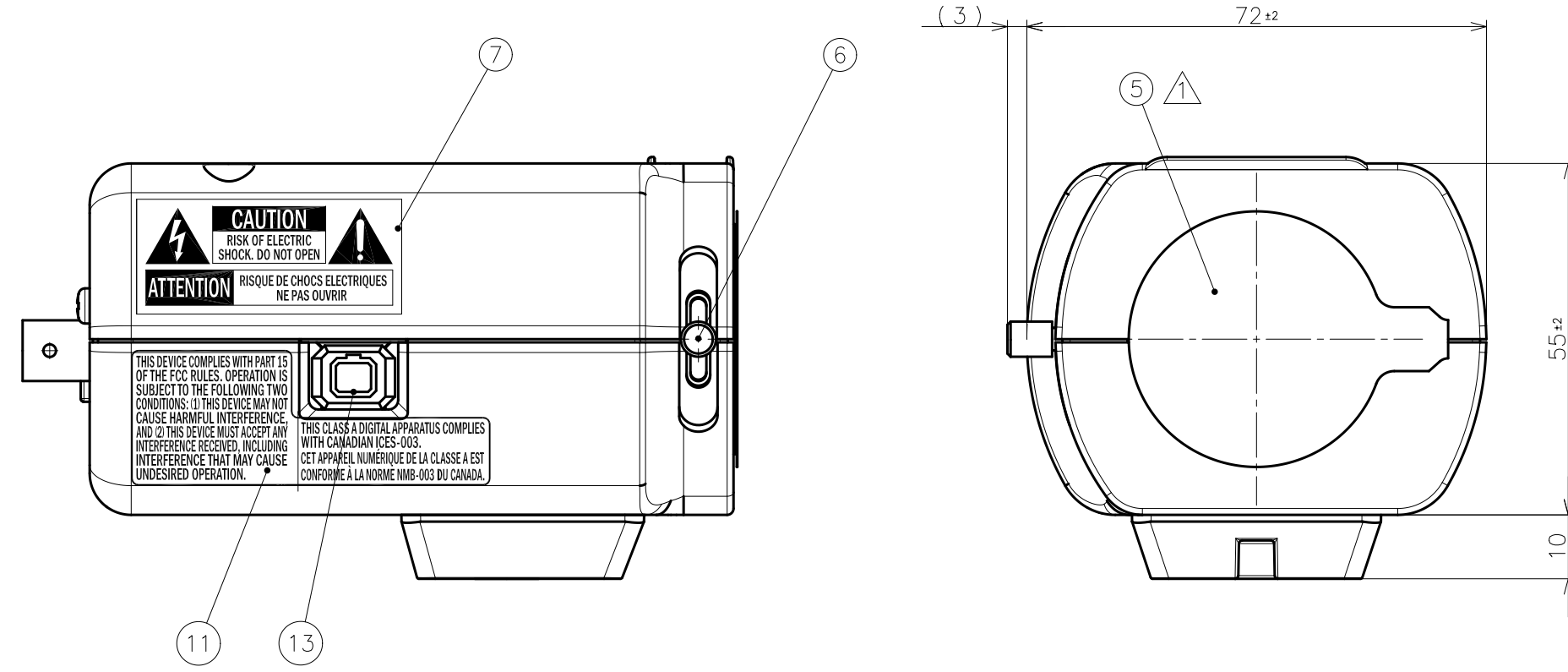


・パナソニックグループ化学物質管理ランク最新版(製品版)を遵守すること。  
 URL:http://panasonic.co.jp/eco/topics/suppliers/  
 ・Observe the Panasonic Group Chemical Substances Management Rank Guidelines latest version (For Products).  
 URL:http://panasonic.net/eco/topics/suppliers/

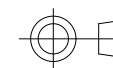
SYM.	DATE	REVISION	SIGNED	CHECKED
△ x 1	2011.12.02	Lens mount label の方向修正	嶋田	先川原
△				
△				
△				



SYM.	ITEM OR PARTS No.	NAME	QTY	MATERIAL & SIZE	TREATMENT	REMARK
13		ALC lens connector	1			
12		Serial number label	1	Polyester Film		
11		FCC/DOC label	1	Polyester Film		
10		Name label	1	Polyester Film		
9		Video output connector	1			
8		AC power input terminal	1			
7		Caution label	1	Polyester Film		
6		Back focus adjustment screw	1	SWCH		
5		Lens mount label	1	PP FILM		
4		Setup button	1	ABS (V-0)		
3		Tripod mount base	1	ABS/PC		
2		Lower case	1	ABS (V-0)		
1		Upper case	1	ABS (V-0)		

1/4-20UNC for Tripod  
(Depth 10mm)

Unit:mm



REMARK		MATERIAL & SIZE		PROCESS		MODEL	WV-CP300P
SCALE	DESIGNED	DRAWN	CHECKED	APPROVED	NAME	箱入規格/Main Assembly Standards <外観図>	
1:1	M.Shimada 2011.11.02	J.Hirako 2011.11.02		Sakigawara 2011.11.22	DRAWING/ Part NO.	Page M-Mb1 of M-Mb1	

REF.NO.	ISSUE 1-2	1
---------	-----------	---