



## 47-inch FULL HD LCD Display TH-47LF60W

### ● Product specification (design and specification subject to change without notice)

#### ■ DISPLAY PANEL

Screen Size (Diagonal)	47-inch (1192 mm)
Panel type	IPS / E-LED
Aspect ratio	16:9
Effective Display Area (W x H)	1039 x 584 mm
Number of pixels (H x V)	1920 x 1080 pixels
Brightness	700 cd/m <sup>2</sup>
Contrast Ratio	1300:1
Dynamic Contrast Ratio	500000:1
Response Time	12 ms (G to G)
Viewing Angle (Horizontal / Vertical)	178° / 178°
Panel Life Time*	approx. 60000 hours

\* An approximate time until the panel brightness decreases to half of its original value.

#### ■ CONNECTION TERMINAL

VIDEO IN	BNC x 1	1.0 Vp-p (75Ω)
AUDIO IN (L/R)	Pin jack (L/R) x 1 set	0.5 Vrms
HDMI IN	HDMI TYPE A x 2	
Component IN	BNC x 1 set	Y : 1.0 Vp-p (75Ω) P <sub>B</sub> : 0.7 Vp-p (75Ω) P <sub>R</sub> : 0.7 Vp-p (75Ω)
AUDIO IN (L/R)	Pin jack (L/R) x 1 set	0.5 Vrms
DVI-D IN	DVI-D 24pin x 1	Compliance with DVI Revision 1.0 Compatible with HDCP 1.1
AUDIO IN (L/R)	Stereo mini jack (M3) x 1 (Shared with PC IN)	0.5 Vrms
PC IN	Mini D-sub 15pin x 1 (female)	Y/G : with sync 1.0 Vp-p (75Ω) : without sync 0.7 Vp-p (75Ω) P <sub>B</sub> /C <sub>B</sub> /B : 0.7 Vp-p (75Ω) P <sub>R</sub> /C <sub>R</sub> /R : 0.7 Vp-p (75Ω) HD/VD : 1.0 - 5.0 Vp-p (high impedance)
AUDIO IN (L/R)	Stereo mini jack (M3) x 1 (Shared with DVI-D IN)	0.5 Vrms
DVI-D OUT	DVI-D 24pin x 1	Compliance with DVI Revision 1.0 Compatible with HDCP 1.1

#### ■ CONTROL

SERIAL IN / OUT	D-sub 9pin x 1 / x 1, RS-232C Compatible
DIGITAL LINK	RJ45 x 1 (Shared with LAN)
LAN	RJ45 x 1, 100BASE-TX, Compatible with PLink (Shared with DIGITAL LINK)
IR IN / OUT	IR x 1 / x 1

#### ■ AUDIO

AUDIO OUT	Stereo mini jack (M3) x 1
Built in Speaker	10 W [5 W + 5 W]

#### ■ ELECTRICAL

Power Requirements	220-240 V AC, 50Hz / 60Hz
Power Consumption	140 W
Power off condition	0.3 W
Stand-by condition	0.5 W

#### ■ MECHANICAL

Dimensions (W x H x D)	1076 x 621 x 68 mm
Bezel Width	16 mm
Carton Dimensions (W x H x D)	1210 x 826 x 204 mm
Weight	approx. 16.7 kg
Gross weight	approx. 21.8 kg
Cabinet Material / Color	Plastic / Black
Pitch for Wall-Hanging	VESA Compliant 400 x 400 mm (Installed by: M6 screws / Screw hole depth 16 mm))

#### ■ INSTALLATION REQUIREMENT

Orientation	Landscape / Portrait
Tilting Angle	0-20 degrees forward with landscape setting

\*Please contact your sales representative with regard to the tilt angle before installation.

#### ■ ENVIRONMENTAL

Operating environment	Temperature	: 0 °C to 40 °C
	Humidity	: 20 % to 80 % (Non condensation)
Storage environment	Temperature	: -20 °C to 60 °C
	Humidity	: 20 % to 80 % (Non condensation)

**MAIN FEATURE**

Digital Zoom	Yes (x1~x4)
Video Wall	Yes (N x M, up to 5 x 5)
Daisy Chain	Yes
1:1 Pixel mode	Yes
Automatic Picture Position	Yes
Screen Saver	Yes
PC Power Management	Yes
ECO mode	Yes
Button / Input lock	Yes
Orientation Landscape / Portrait	Yes
Remote-control User Level	Yes
Power-on Screen Delay	Yes
Seam Hides Video Off Mode	Yes
Input Search	Yes
Operating Time	24h/7d

In case of running for a long time, the moving image is recommended to be displayed. If you display a still picture for an extended period, the image retention might remain on the screen. However, image retention can gradually disappear by displaying a moving images.

**REMOTE CONTROL TRANSMITTER**

Power Requirements	DC 3V (2 x AA Size batteries)
Operating distance	approx. 7 m in front of LCD Display
Weight	approx. 100 g including batteries

**OPTIONAL ACCESSORIES**

Pedestal	TY-ST42P50
----------	------------

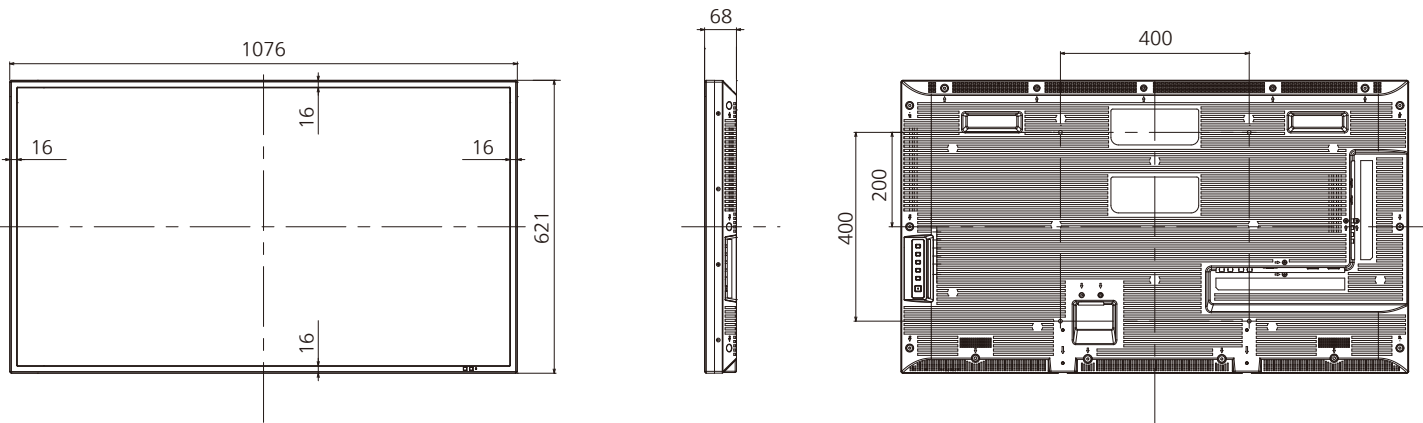
**STANDARD (CERTIFICATIONS)**

SAFETY REGULATIONS	EN60065, IEC60065, GOST, AS/NZS60065, SASO, IEC60065/SS, IEC60065/PAI, IEC60065
RADIATION REGULATIONS	EN55013, EN55020, EN55022 Class-B, EN55024, EN61000-3-2 Class-D, EN61000-3-3, CISPR13, CISPR20, CISPR22 Class-B, CISPR24

**INCLUDED ACCESSORIES**

- Operating instruction book
- CD-ROM (Operating instruction)
- Remoto control transmitter
- Batteries (R6 x 2)
- Crammer x 3
- AC power cord (approx. 2 m)

**DIMENSIONS**



**CONNECTION TERMINAL**

**SIDE**



**BOTTOM**



## ● APPLICABLE INPUT SIGNALS

	Signal name	Horizontal frequency (kHz)	Vertical frequency (Hz)	VIDEO IN	COMPONENT IN RGB IN/PC IN (Dot clock (MHz))	DVI-D IN (Dot clock (MHz))	HDMI 1 HDMI 2/ DIGITAL LINK
1	NTSC	15.73	59.94	Y			
2	PAL	15.63	50.00	Y			
3	PAL60	15.73	59.94	Y			
4	SECAM	15.63	50.00	Y			
5	NTSC 4.43	15.73	59.94	Y			
6	PAL M	15.73	59.94	Y			
7	PAL N	15.63	50.00	Y			
8	525 (480) / 60i	15.73	59.94		* (13.5)	* (27.0)	*
9	525 (480) / 60p	31.47	59.94		* (27.0)	* (27.0)	*
10	625 (575) / 50i	15.63	50.00		* (13.5)		
11	625 (576) / 50i	15.63	50.00			* (27.0)	*
12	625 (575) / 50p	31.25	50.00		* (27.0)		*
13	625 (576) / 50p	31.25	50.00			* (27.0)	*
14	750 (720) / 60p	45.00	60.00		* (74.25)	* (74.25)	*
15	750 (720) / 50p	37.50	50.00		* (74.25)	* (74.25)	*
16	1125 (1080) / 60p	67.50	60.00		* (148.5) *1	* (148.5)	*
17	1125 (1080) / 60i	33.75	60.00		* (74.25) *1	* (74.25)	*
18	1125 (1080) / 50p	56.26	50.00		* (148.5) *1	* (148.5)	*
19	1125 (1080) / 50i	28.13	50.00		* (74.25) *1	* (74.25)	*
20	1125 (1080) / 24sF	27.00	48.00		* (74.25) *2		
21	1125 (1080) / 30p	33.75	30.00		* (74.25) *1	* (74.25)	*
22	1125 (1080) / 25p	28.13	25.00		* (74.25) *1	* (74.25)	*
23	1125 (1080) / 24p	27.00	24.00		* (74.25) *1	* (74.25)	*
24	640 × 400 @70 Hz	31.46	70.07		* (25.17)		
25	640 × 480 @60 Hz	31.47	59.94		* (25.18)	* (25.18)	*
26	640 × 480 @72 Hz	37.86	72.81		* (31.5)		
27	640 × 480 @75 Hz	37.50	75.00		* (31.5)		
28	640 × 480 @85 Hz	43.27	85.01		* (36.0)		
29	800 × 600 @56 Hz	35.16	56.25		* (36.0)		
30	800 × 600 @60 Hz	37.88	60.32		* (40.0)	* (40.0)	*
31	800 × 600 @72 Hz	48.08	72.19		* (50.0)		
32	800 × 600 @75 Hz	46.88	75.00		* (49.5)		
33	800 × 600 @85 Hz	53.67	85.06		* (56.25)		
34	852 × 480 @60 Hz	31.47	59.94		* (33.54)	* (34.24)	*
35	1024 × 768 @50 Hz	39.55	50.00			* (51.89)	*
36	1024 × 768 @60 Hz	48.36	60.00		* (65.0)	* (65.0)	*
37	1024 × 768 @70 Hz	56.48	70.07		* (75.0)		
38	1024 × 768 @75 Hz	60.02	75.03		* (78.75)		
39	1024 × 768 @85 Hz	68.68	85.00		* (94.5)		
40	1066 × 600 @60 Hz	37.64	59.94		* (53.0)	* (53.0)	*
41	1152 × 864 @60 Hz	53.70	60.00			* (81.62)	*
42	1152 × 864 @75 Hz	67.50	75.00		* (108.0)		
43	1280 × 768 @60 Hz	47.70	60.00		* (80.14)		
44	1280 × 960 @60 Hz	60.00	60.00		* (108.0)		
45	1280 × 960 @85 Hz	85.94	85.00		* (148.5)		
46	1280 × 1024 @60 Hz	63.98	60.02		* (108.0)	* (108.0)	*
47	1280 × 1024 @75 Hz	79.98	75.03		* (135.0)		
48	1280 × 1024 @85 Hz	91.15	85.02		* (157.5) *3		
49	1366 × 768 @50 Hz	39.55	50.00			* (69.92)	*
50	1366 × 768 @60 Hz	48.36	60.00		* (86.71)	* (87.44)	*
51	1400 × 1050 @60 Hz	65.22	60.00			* (122.61)	*
52	1600 × 1200 @60 Hz	75.00	60.00		* (162.0)	* (162.0)	*
53	1920 × 1080 @60 Hz	67.50	60.00		* (148.5)	* (148.5)	*
54	1920 × 1200 @60 Hz	74.04	59.95			* (154.0)	*
55	Macintosh 13" (640 × 480)	35.00	66.67		* (30.24)		
56	Macintosh 16" (832 × 624)	49.72	74.54		* (57.28)		
57	Macintosh 21" (1152 × 870)	68.68	75.06		* (100.0)		

\*1:Based on SMPTE 274M standard.

\*2:Based on SMPTE RP211 standard.

\*3:Not compatible with SYNC ON G.

• The signal format automatically detected may differ from the actual input signal in display.