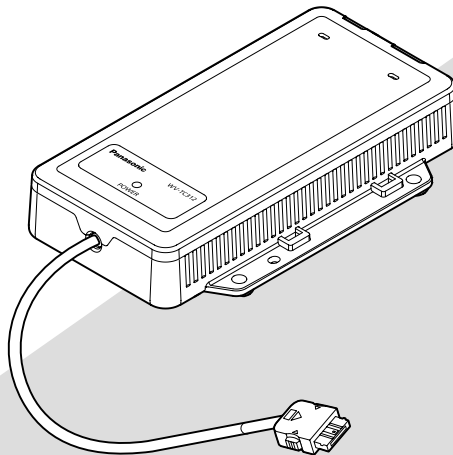


Panasonic

Operating Instructions

Conversion box

Model No. **WV-TC312/WV-TC312E**



(The stand is removed from the conversion box in this illustration.)

Before attempting to connect or operate this product, please read these instructions carefully and save this manual for future use.

The model number is abbreviated in some descriptions in this manual.

WARNING:

- To prevent fire or electric shock hazard, do not expose this apparatus to rain or moisture.
- The apparatus should not be exposed to dripping or splashing and that no objects filled with liquids, such as vases, should be placed on the apparatus.
- Batteries (battery pack or batteries installed) shall not be exposed to excessive heat such as sunlight, fire or the like.
- The installation shall be carried out in accordance with all applicable installation rules.
- The connections should comply with local electrical code.

For U.S. and Canada:

WV-TC312

For Europe and other countries:

WV-TC312E

For Canada

This Class A digital apparatus complies with Canadian ICES-003.

For U.S.A

NOTE: This equipment has been tested and found to comply with the limits for a Class A digital device, pursuant to Part 15 of the FCC Rules. These limits are designed to provide reasonable protection against harmful interference when the equipment is operated in a commercial environment. This equipment generates, uses, and can radiate radio frequency energy and, if not installed and used in accordance with the instruction manual, may cause harmful interference to radio communications.

Operation of this equipment in a residential area is likely to cause harmful interference in which case the user will be required to correct the interference at his own expense.

FCC Caution: To assure continued compliance, (example - use only shielded interface cables when connecting to computer or peripheral devices). Any changes or modifications not expressly approved by the party responsible for compliance could void the user's authority to operate this equipment.

For U.S.A

The model number and serial number of this product may be found on the surface of the unit. You should note the model number and serial number of this unit in the space provided and retain this book as a permanent record of your purchase to aid identification in the event of theft.

Model No. _____

Serial No. _____

For Europe

We declare under our sole responsibility that the product to which this declaration relates is in conformity with the standard or other normative document following the provisions of Directive 2004/108/EC.

Wir erklären in alleiniger Verantwortung, daß das Produkt, auf das sich diese Erklärung bezieht, mit der folgenden Norm oder normativen Dokument übereinstimmt. Gemäß den Bestimmungen der Richtlinie 2004/108/EC.

Nous déclarons sous notre propre responsabilité que le produit auquel se réfère la présente déclaration est conforme à la norme spécifiée ou à tout autre document normatif conformément aux dispositions de la directive 2004/108/CE.

Nosotros declaramos bajo nuestra única responsabilidad que el producto a que hace referencia esta declaración está conforme con la norma u otro documento normativo siguiendo las estipulaciones de la directiva 2004/108/CE.

Noi dichiariamo sotto nostra esclusiva responsabilità che il prodotto a cui si riferisce la presente dichiarazione risulta conforme al seguente standard o altro documento normativo conforme alle disposizioni della direttiva 2004/108/CE.

Wij verklaren als enige aansprakelijke, dat het product waarop deze verklaring betrekking heeft, voldoet aan de volgende norm of ander normatief document, overeenkomstig de bepalingen van Richtlijn 2004/108/EC.

Vi erklærer os eneansvarlige for, at dette produkt, som denne deklaration omhandler, er i overensstemmelse med standard eller andre normative dokumenter i følge bestemmelserne i direktiv 2004/108/EC.

Vi deklarerar härmed vårt fulla ansvar för att den produkt till vilken denna deklaration hänvisar är i överensstämmelse med standarddokument eller annat normativt dokument som framställs i direktiv 2004/108/EC.

Ilmoitamme yksinomaisella vastuullamme, että tuote, jota tämä ilmoitus koskee, noudattaa seuraavaa standardia tai muuta ohjeellista asiakirjaa, jotka noudattavat direktiivin 2004/108/EC säädöksiä.

Vi erklærer oss alene ansvarlige for at produktet som denne erklæringen gjelder for, er i overensstemmelse med følgende norm eller andre normgivende dokumenter som følger bestemmelsene i direktiv 2004/108/EC.

Contents

Important safety instructions.....	4
Limitation of liability.....	4
Disclaimer of warranty.....	5
Preface	5
Precautions	5
Major operating controls	6
Installation	8
Connection	10
Specifications.....	11
Standard accessories.....	11

Important safety instructions

- 1) Read these instructions.
- 2) Keep these instructions.
- 3) Heed all warnings.
- 4) Follow all instructions.
- 5) Clean only with dry cloth.
- 6) Do not install near any heat sources such as radiators, heat registers, stoves, or other apparatus (including amplifiers) that produce heat.
- 7) Only use attachments/accessories specified by the manufacturer.
- 8) Refer all servicing to qualified service personnel. Servicing is required when the apparatus has been damaged in any way, such as power-supply cord or plug is damaged, liquid has been spilled or objects have fallen into the apparatus, the apparatus has been exposed to rain or moisture, does not operate normally, or has been dropped.

Limitation of liability

THIS PUBLICATION IS PROVIDED "AS IS" WITHOUT WARRANTY OF ANY KIND, EITHER EXPRESS OR IMPLIED, INCLUDING BUT NOT LIMITED TO, THE IMPLIED WARRANTIES OF MERCHANTABILITY, FITNESS FOR ANY PARTICULAR PURPOSE, OR NON-INFRINGEMENT OF THE THIRD PARTY'S RIGHT.

THIS PUBLICATION COULD INCLUDE TECHNICAL INACCURACIES OR TYPOGRAPHICAL ERRORS. CHANGES ARE ADDED TO THE INFORMATION HEREIN, AT ANY TIME, FOR THE IMPROVEMENTS OF THIS PUBLICATION AND/OR THE CORRESPONDING PRODUCT (S).

Disclaimer of warranty

IN NO EVENT SHALL Panasonic System Networks Co., Ltd. BE LIABLE TO ANY PARTY OR ANY PERSON, EXCEPT FOR REPLACEMENT OR REASONABLE MAINTENANCE OF THE PRODUCT, FOR THE CASES, INCLUDING BUT NOT LIMITED TO BELOW:

- (1) ANY DAMAGE AND LOSS, INCLUDING WITHOUT LIMITATION, DIRECT OR INDIRECT, SPECIAL, CONSEQUENTIAL OR EXEMPLARY, ARISING OUT OF OR RELATING TO THE PRODUCT;
- (2) PERSONAL INJURY OR ANY DAMAGE CAUSED BY INAPPROPRIATE USE OR NEGLIGENT OPERATION OF THE USER;
- (3) ALL MALFUNCTIONS OR TROUBLES FROM UNAUTHORIZED DISASSEMBLE, REPAIR OR MODIFICATION OF THE PRODUCT BY THE USER, REGARDLESS OF THE CAUSE OF THE MALFUNCTION OR TROUBLE;
- (4) INCONVENIENCE OR ANY LOSS ARISING WHEN IMAGES ARE NOT DISPLAYED, DUE TO ANY REASON OR CAUSE INCLUDING ANY FAILURE OR PROBLEM OF THE PRODUCT;
- (5) ANY PROBLEM, CONSEQUENTIAL INCONVENIENCE, OR LOSS OR DAMAGE, ARISING OUT OF THE SYSTEM COMBINED BY THE DEVICES OF THIRD PARTY;
- (6) ANY CLAIM OR ACTION FOR DAMAGES, BROUGHT BY ANY PERSON OR ORGANIZATION BEING A PHOTOGENIC SUBJECT, DUE TO VIOLATION OF PRIVACY WITH THE RESULT OF THAT SURVEILLANCE-CAMERA'S PICTURE, INCLUDING SAVED DATA, FOR SOME REASON, BECOMES PUBLIC OR IS USED FOR ANY PURPOSE;
- (7) LOSS OF REGISTERED DATA CAUSED BY ANY FAILURE.

Preface

WV-TC312 Conversion Box is used with WV-TW310 series Wearable Camera and WV-TB311 Battery Container.

With this box, user can provide WV-TW310 series with DC power from a PoE hub or external 12 V DC adapter exclusively, and can connect the WV-TW310 series to the network.

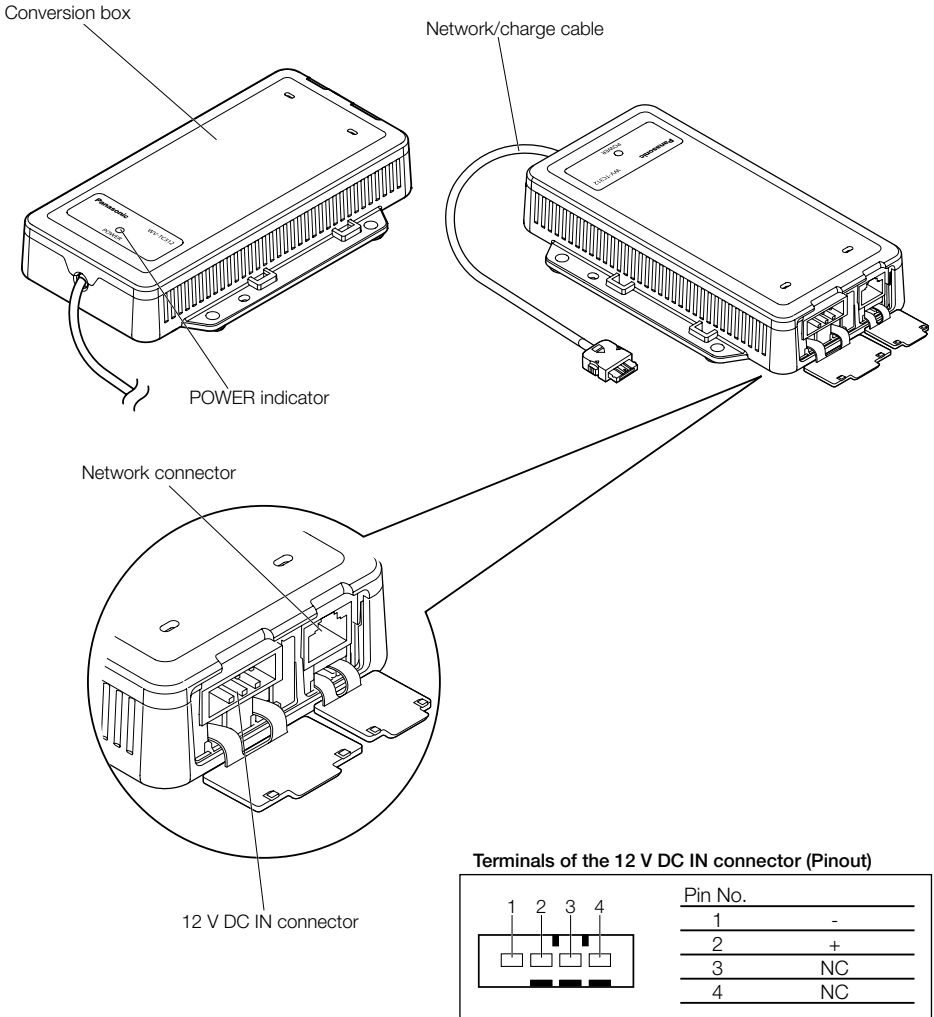
By using attached mounting adaptor with the box, User can put the Wearable Camera and/or Battery Container on the adaptor while charging.

Precautions

IMPORTANT:

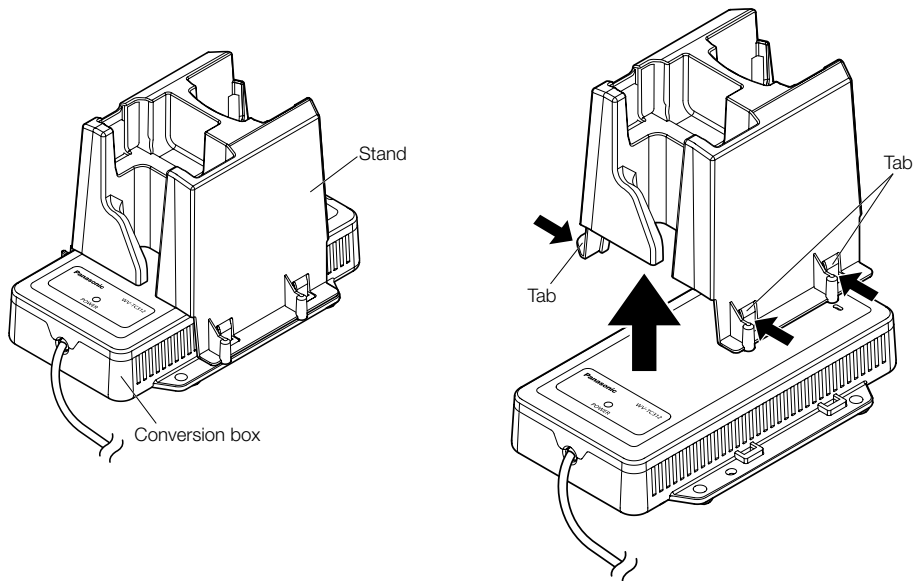
- Refer to the Installation Guide of the Wearable Camera WV-TW310 series for details on installation and so on.
-

Major operating controls



The battery container (optional) and the camera can be stored in the stand mounted to the conversion box. With the battery container (optional) and the camera stored in the stand, the conversion box can be connected to 12 V DC or a PoE hub, making recharging the battery container (optional) possible, a LAN cable can also be connected to the conversion box, making it possible to view saved images on a computer monitor.

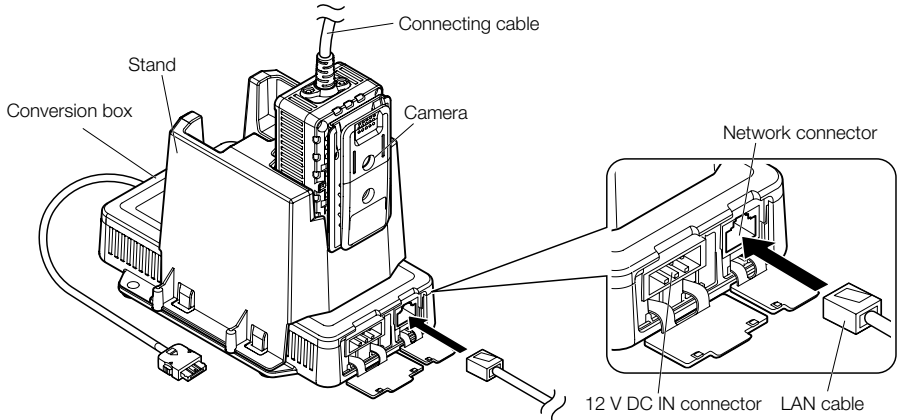
When removing the stand from the conversion box, lift up the stand while pressing the 4 tabs on the stand at the same time.



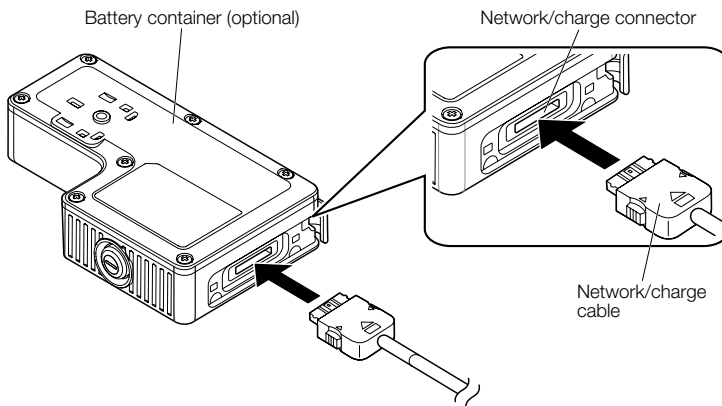
Installation

Connecting the conversion box to the battery container (optional)

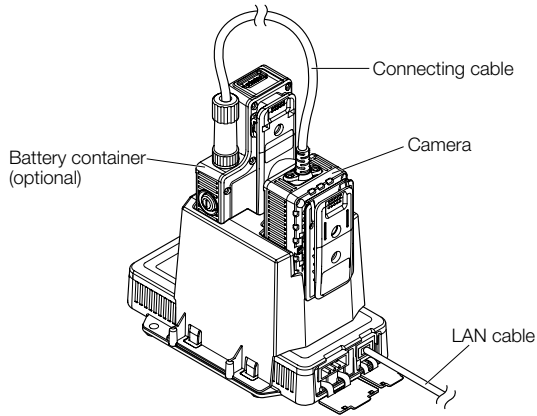
- 1 Connect the power to the conversion box.
Connect 12 V DC or PoE hub for the power source.



- 2 Connect the network/charge cable of the conversion box to the network/charge connector of the battery container (optional).
Insert the cable into the connector until a click is heard. Ensure that they are connected in the correct direction.



- 3** Connect the connecting cable of the camera to the connector of the battery container (optional). Then charging starts.



IMPORTANT:

- Recharging will not begin if the temperature of the internal battery pack is outside of the allowable temperature range (0 °C to +50 °C {32 °F to 122 °F}).
- Charging begins automatically when the temperature enters the allowable range.
- Recharging will stop after 6 hours from when the connection was made. (Under normal conditions, recharging finishes within 3.5 hours.)
- Exposing the battery to high temperatures may cause battery deterioration (reduced battery capacity and recharging cycle).

Note:

- When the camera is connected to a PoE hub without the battery container (optional) connected, the power indicator of the conversion box may blink. This is not a malfunction.
-

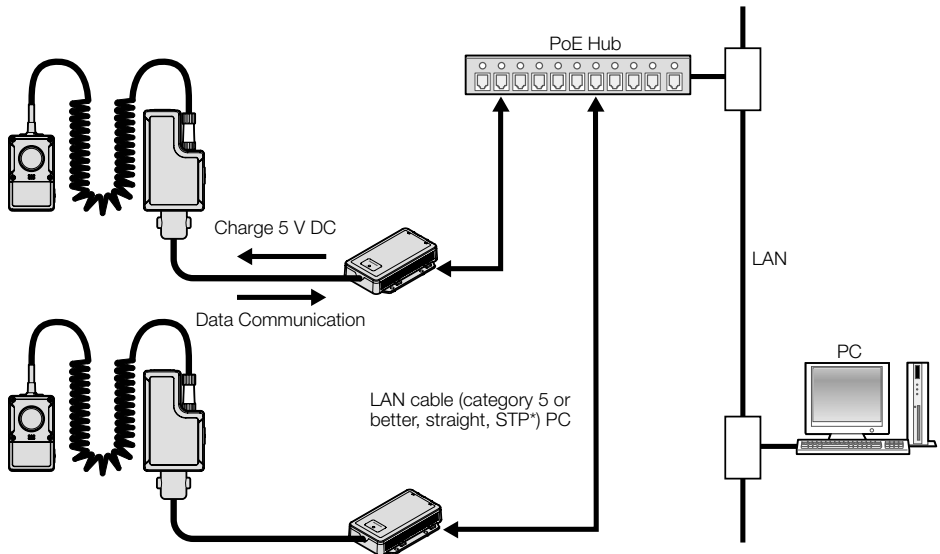
Connection

Caution:

- ONLY CONNECT 12 V DC CLASS 2 POWER SUPPLY or LIMITED POWER SOURCE.

Before starting the connection, turn off the power for this camera and the devices to be connected, and then prepare the required devices and cables.

Connection example when connecting to a network using a PoE hub



<Required cable>

LAN cable (category 5 or better, straight, STP*)

* E models only

IMPORTANT:

- Use a switching hub or a router which is compliant with 10BASE-T/100BASE-TX.
- Power supply is required for each camera. When using a PoE device (hub), 12 V DC power supply is unnecessary.

Specifications

• Basic

Power source:	12 V DC, PoE (IEEE802.3af compliant)
Power consumption:	12 V DC*: 650 mA, PoE: 11 W (Class 0 device) * ONLY CONNECT 12 V DC CLASS 2 POWER SUPPLY or LIMITED POWER SOURCE.
Ambient operating temperature:	-10 °C to +50 °C {14 °F to 122 °F}
Ambient operating humidity:	Less than 90 % (no condensation)
Dimensions:	97 mm (W) x 97 mm (H) x 155 mm (D) {3-13/16 inches (W) x 3-13/16 inches (H) x 6-3/32 inches (D)} (Including the stand. Excluding the cable and projection.)
Mass:	Approx. 300 g {0.66 lbs.}
Finish:	Black
LED:	POWER (GREEN)

• Network

Network:	10BASE-T/100BASE-TX, RJ45 connector
----------	-------------------------------------

Standard accessories

Operating Instructions (this document)	1 pc.
Warranty card (For WV-TC312)	1 pc.

Information for Users on Collection and Disposal of Old Equipment and used Batteries



These symbols on the products, packaging, and/or accompanying documents mean that used electrical and electronic products and batteries should not be mixed with general household waste.

For proper treatment, recovery and recycling of old products and used batteries, please take them to applicable collection points, in accordance with your national legislation and the Directives 2002/96/EC and 2006/66/EC.

By disposing of these products and batteries correctly, you will help to save valuable resources and prevent any potential negative effects on human health and the environment which could otherwise arise from inappropriate waste handling.

For more information about collection and recycling of old products and batteries, please contact your local municipality, your waste disposal service or the point of sale where you purchased the items.

Penalties may be applicable for incorrect disposal of this waste, in accordance with national legislation.



For business users in the European Union

If you wish to discard electrical and electronic equipment, please contact your dealer or supplier for further information.

[Information on Disposal in other Countries outside the European Union]

These symbols are only valid in the European Union. If you wish to discard these items, please contact your local authorities or dealer and ask for the correct method of disposal.



Cd

Note for the battery symbol (bottom two symbol examples):

This symbol might be used in combination with a chemical symbol. In this case it complies with the requirement set by the Directive for the chemical involved.

For U.S. and Canada:

Panasonic System Communications Company of North America, Unit of Panasonic Corporation of North America

www.panasonic.com/business/
For customer support, call 1.800.528.6747
Three Panasonic Way, Secaucus,
New Jersey 07094 U.S.A.

Panasonic Canada Inc.

5770 Ambler Drive, Mississauga,
Ontario, L4W 2T3 Canada
(905)624-5010
www.panasonic.ca

For Europe and other countries:

Panasonic Corporation

<http://panasonic.net>

Importer's name and address to follow EU rules:

Panasonic Testing Centre
Panasonic Marketing Europe GmbH
Winsbergring 15, 22525 Hamburg F.R.Germany