

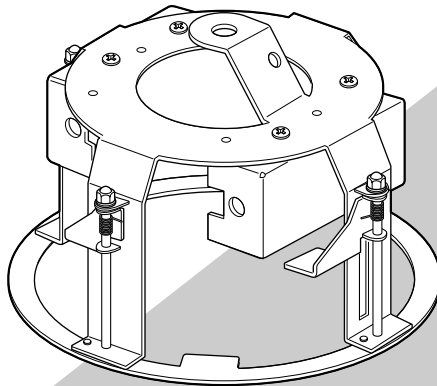
Panasonic

Operating Instructions

Ceiling Mount Bracket

Model No. WV-Q175

WV-Q175E



Before attempting to connect or operate this product,
please read these instructions carefully and save this manual for future use.

The model number is abbreviated in some descriptions in this manual.

CONTENTS

Preface	3
Precautions	3
Major operating controls and their functions	5
Installations	5
Specifications	10
Standard accessories	11

Preface

This ceiling embedded bracket is exclusively designed to mount a color CCTV camera or a network camera. Refer to the catalog or the operating instructions of the camera for supported cameras.

This bracket is an embedded type to reduce the exposed portion of the camera body.

Precautions

- **Refer installation work to the dealer.**

Installation work requires technique and experiences. Failure to observe this may cause fire, electric shock, injury, or damage to the product.

- Be sure to consult the dealer.

- **Use only the specified camera.**

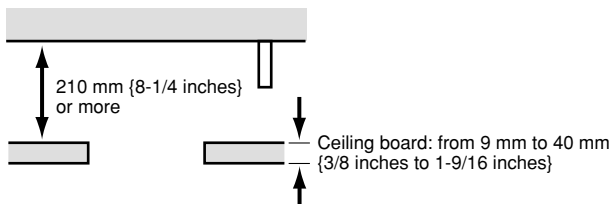
Failure to observe this may cause a fall of an inappropriate camera resulting in injury or accidents.

- Refer to the catalog or the operating instructions of the camera for supported cameras.

- **Select an installation area.**

If a selected area is too weak to support the total weight, a fall of the product may occur resulting in injury.

- Installation work shall be started after sufficient reinforcement.
- The installation area shall have 210 mm {8-1/4 inches} or more space behind the ceiling.
- The thickness of the ceiling board for installation can range from 9 mm to 40 mm {3/8 inches to 1-9/16 inches}.



- **Avoid installing this bracket in the locations where salt damage occurs or corrosive gas is produced.**

Otherwise, the mounting portions will deteriorate and accidents such as a fall of the camera may occur.

- **The screws and fixation mechanisms shall be tightened securely.**

Failure to observe this may cause a fall of the camera resulting in injury.

- **Periodic inspections shall be conducted.**

Rust on the metal parts or screws may cause a fall of the product resulting in injury.

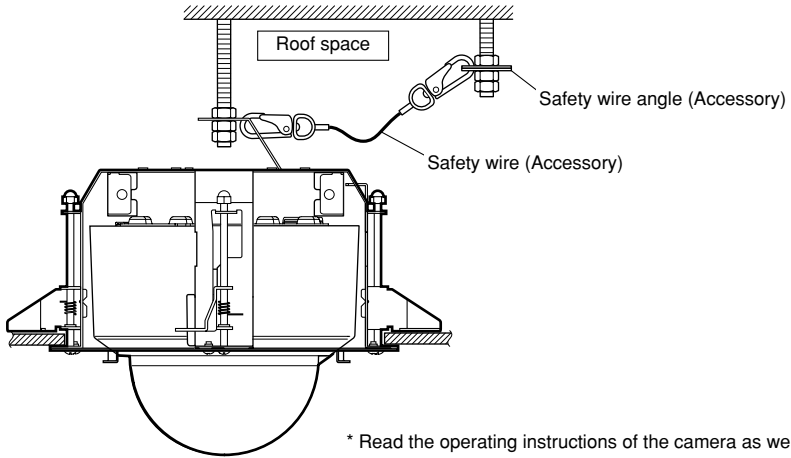
- Consult the dealer for the inspections.

- **Do not rub the edges of metal parts with your hand.**

Failure to observe this may cause injury.

- Make sure that the installation area is strong enough to hold the total weight of the camera assembly before installation.
- The camera and the ceiling mount bracket should be fixed using the provided fixing screws, and make sure that the both of them are fixed firmly.
- When the ceiling mount bracket is not necessary anymore, remove from the ceiling.
- Avoid installing in the following locations.
 - Locations where it may get wet from rain or water splash (not only outdoor)
 - Locations where a chemical agent is used such as a swimming pool
 - Locations subject to steam and oil smoke such as a kitchen
 - Locations where radiation or x-ray emissions are produced
 - Locations where it may be damaged by briny air such as seashores
 - Locations where the temperature is not within the ambient temperature of the camera in use and this product
 - Locations subject to vibrations (This product is not designed for on-vehicle use.)
 - Locations where the temperature may rapidly change such as the peripheral areas of the air outlets of air conditioners or doors facing outside. (In case of installing the camera in such locations, the dome cover may become foggy or condensation may be caused on the cover.)
- The screws and bolts must be tightened with an appropriate tightening torque according to the material and strength of the installation area. After tightening the screws or bolts, perform visual check to ensure tightening is enough and there is no backlash.

Major operating controls and their functions



Installations

Be sure to read "Precautions" before installation. It is recommended to read them while referring the operating instructions of the camera together.

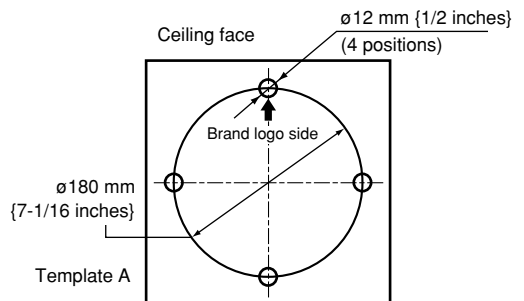
1. Put Template A (accessory) against the ceiling and make a hole.

- ① Make 4 holes of 12 mm {1/2 inches} in diameter.

Note: Make these holes so that the Panasonic logo is directed to the desired side.

- ② Remove the center part from the template.
- ③ Make a hole of 180 mm {7-1/16 inches} in diameter.

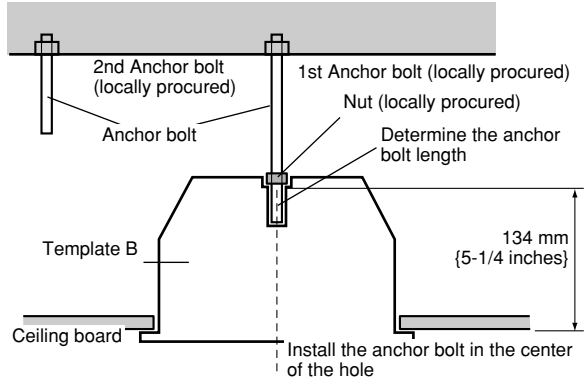
The ceiling holes are shown in the drawing at right. →



Important: Make a hole precisely. When the opened hole is bigger or deformed too much, the ceiling mount bracket cannot be stuck on the ceiling board securely.

2. Install two anchor bolts (locally procured: M10 recommended) into the concrete ceiling.

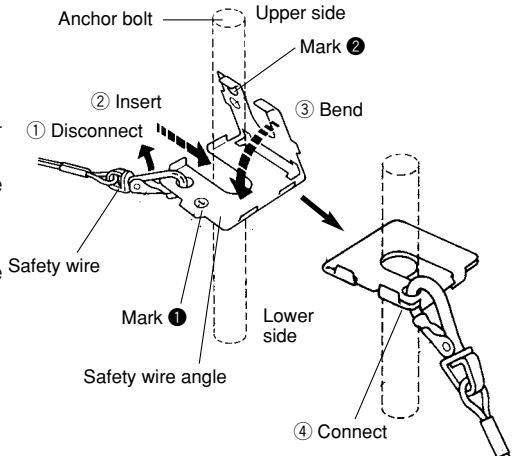
- ① Install an anchor bolt in the center of the hole made in the step 1.
- ② Determine the anchor bolt length by use of Template B (accessory).
- ③ Use Template B to decide the nut position, and fix it. (Mount the nut so that the distance between the bottom surfaces of the nut and ceiling is adjusted to 134 mm {5-1/4 inches}.)



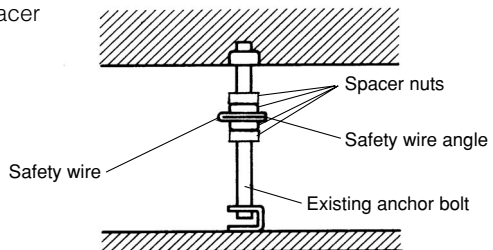
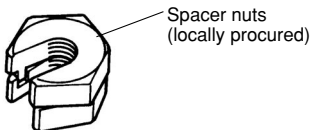
Note: If there is already an anchor bolt installed, the anchor bolt can be used as a 2nd anchor bolt. Make sure that the distance between the 1st and 2nd anchor bolts is 1 000 mm (3.28 feet) or less before use.

3. Mount the safety wire angle (accessory) on the 2nd anchor bolt and connect the safety wire (accessory) to the angle.

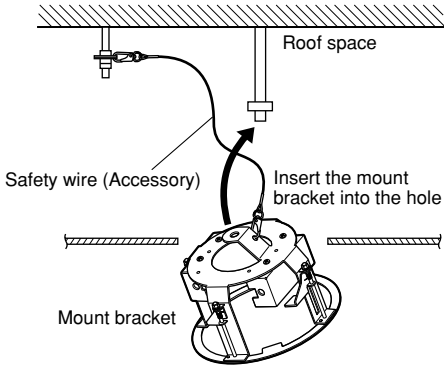
- ① Disconnect the safety wire from the safety wire angle.
- ② Engage the face marked ① with the anchor bolt.
- ③ Bend the face marked ②.
- ④ Connect the safety wire to the safety wire angle again.



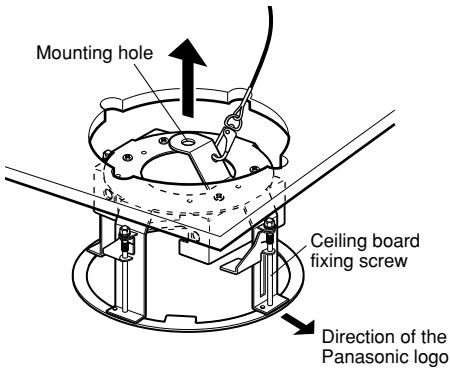
Note: To use the anchor bolt that was already installed, the use of 2 spacer nuts (locally procured) is helpful.



4. Connect this mount bracket to the tip of the safety wire.



5. Insert the 1st anchor bolt into the mounting hole of the mount bracket.

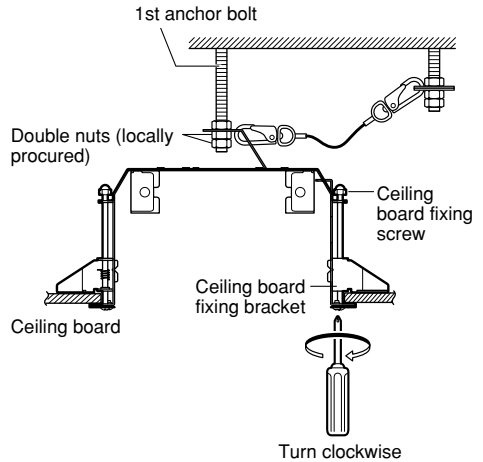


Note: The Panasonic logo will be directed to the ceiling board fixing screw which is secured on the side described in the illustration. When inserting the mount bracket into the ceiling, fit the bracket in the 4 mounting holes of 12 mm {1/2 inches} in diameter on the ceiling.

6. Secure the mount bracket to the ceiling board with the ceiling board fixing screws (4 positions).

Turning the ceiling board fixing screws clockwise provides ceiling board tightening between the bottom of the mount bracket and ceiling board fixing bracket resulting in mount bracket securing. (Recommended tightening torque: 0.78 N·m {0.58 lbf·ft})

Important: When securing this bracket on the ceiling, make sure that the four ceiling board fixing brackets are open as shown in the following figure.



Important: When the ceiling board is the plasterboard, make sure that no crack was made on the ceiling board by clamping.

7. Use double nuts (locally procured) to secure the mount bracket after inserting the 1st anchor bolt.

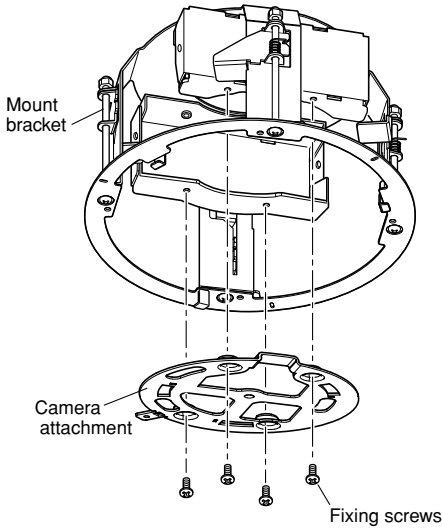
8. Follow the procedure according to the model of the camera to be installed.

<Installing WV-CF504>

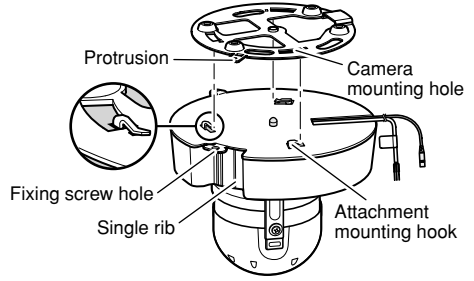
- ① Mount the camera attachment (supplied with the camera) to this bracket.

Use 4 fixing screws (accessory) to secure the camera attachment firmly as shown in the drawing.

(Recommended tightening torque: 0.78 N·m {0.58 lbf·ft})

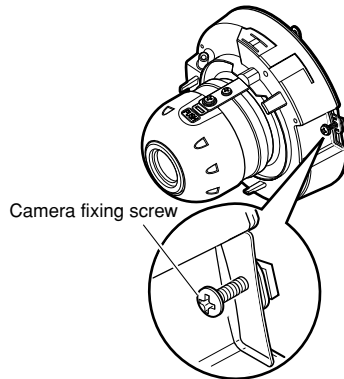


- ② Connect the camera cables.
- ③ Mount the camera.
- a. Align the single rib on the camera with the protrusion on the camera attachment.
 - b. Engage the camera's attachment mounting hooks with the mounting holes on the camera attachment, and then rotate the camera in the direction of the arrow to secure the camera to the camera attachment without any backlash.



Note: When the camera is secured, the camera attachment protrusion is aligned with the camera fixing screw hole and the double rib on the camera.

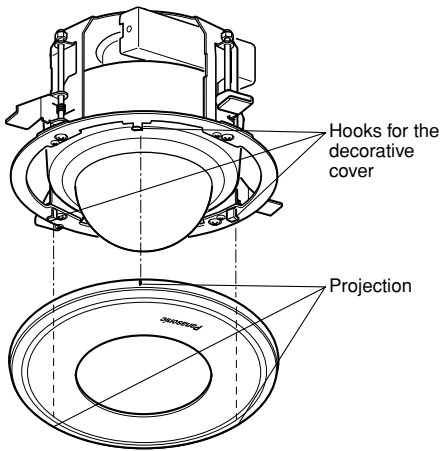
- ④ Secure the camera to the camera attachment with the camera fixing screw.
- (Recommended tightening torque: 0.78 N·m {0.58 lbf·ft}).



- ⑤ Adjust the camera.
- Refer to the operating instructions of the camera.

9. Mount the decorative cover on this mount bracket.

- Mount the decorative cover on the camera mounting plate with engaging the projections of the decorative cover with the hooks for the decorative cover.
- Turn the decorative cover clockwise until the cover clicks while pressing the cover upward to lock the cover.



Note: Mount the decorative cover on the mount bracket so that the Panasonic logo is directed to the side which was determined when making the mounting holes.

Specifications

Ambient temperature	-10 °C to +50 °C {-14 °F to 122 °F}
Dimensions	204.4 mm {8-1/16 inches} in diameter x 143.4 mm {5-5/8 inches} in height
Mass	Approx. 700 g {1.55 lbs}
Finish	Main body: Metal Decorative cover: ABS plastic

Standard accessories

Operating Instructions (this book) 1 pc.

The following are for installation.

Safety wire 1 pc.

Safety wire angle 1 pc.

Template A 1 pc.

Template B 1 pc.

Fixing screw (M4 x 8) 5 pcs. (incl. 1 spare screw)

For U.S. and Canada:

**Panasonic System Communications
Company of North America,
Unit of Panasonic Corporation
of North America**

www.panasonic.com/business/
For customer support, call 1.800.528.6747
Three Panasonic Way, Secaucus,
New Jersey 07094 U.S.A.

Panasonic Canada Inc.

5770 Ambler Drive, Mississauga,
Ontario, L4W 2T3 Canada
(905)624-5010
www.panasonic.ca

For Europe and other countries:

Panasonic Corporation

<http://panasonic.net>

Importer's name and address to follow EU rules:

Panasonic Testing Centre
Panasonic Marketing Europe GmbH
Winsbergring 15, 22525 Hamburg F.R.Germany