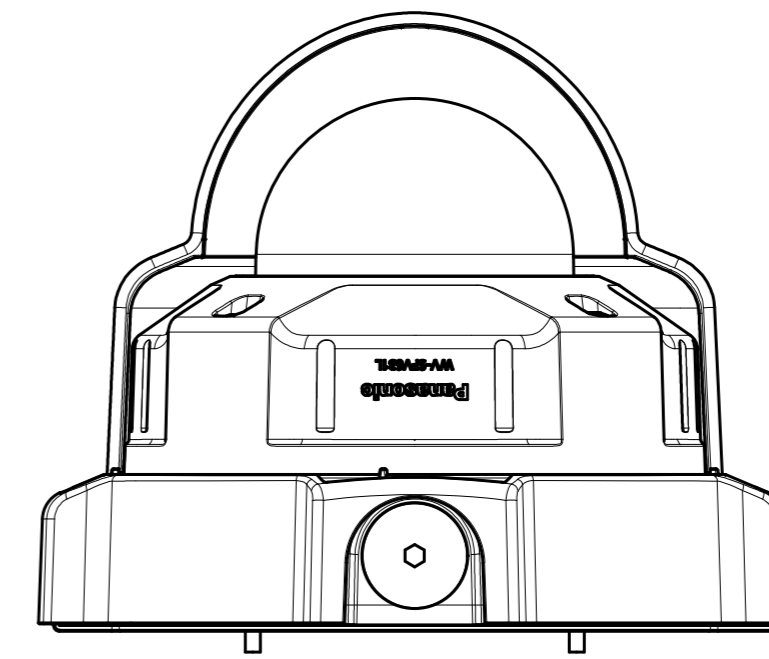
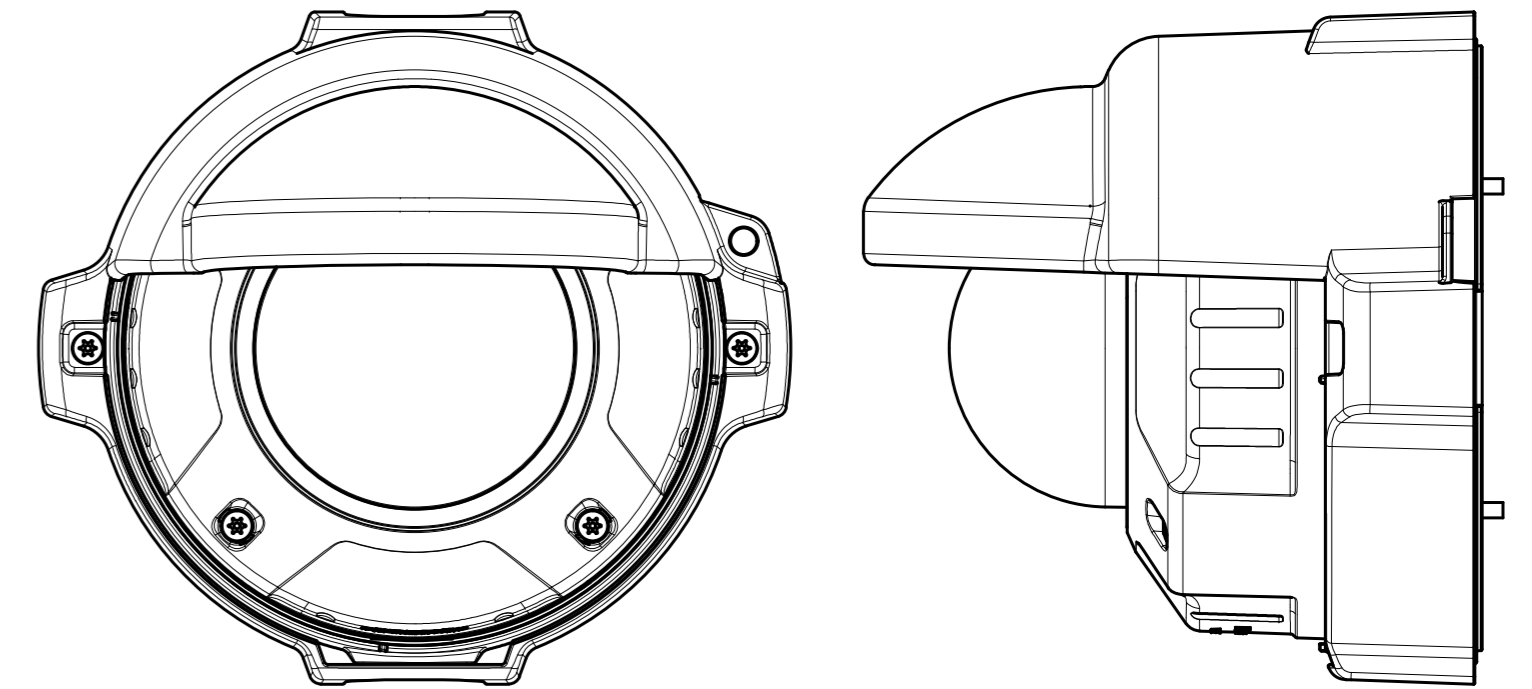
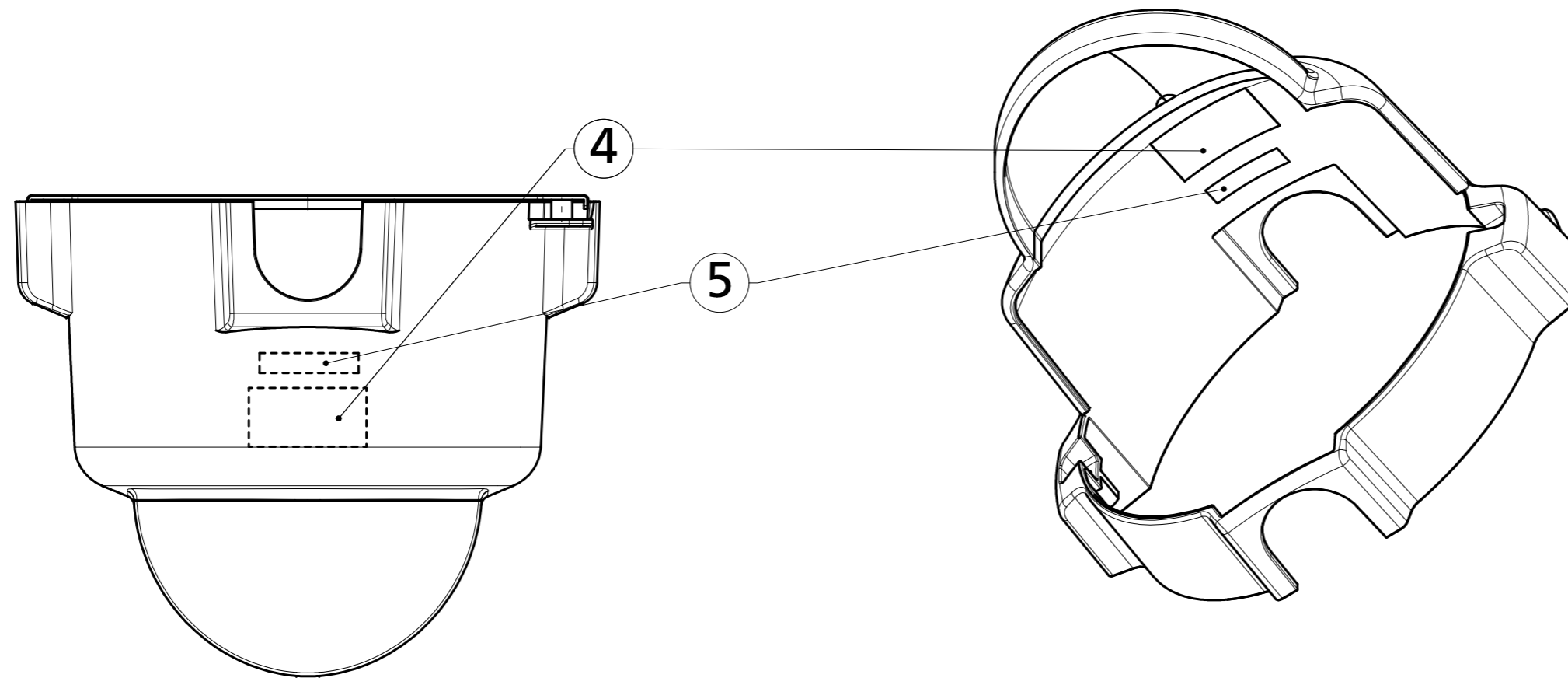
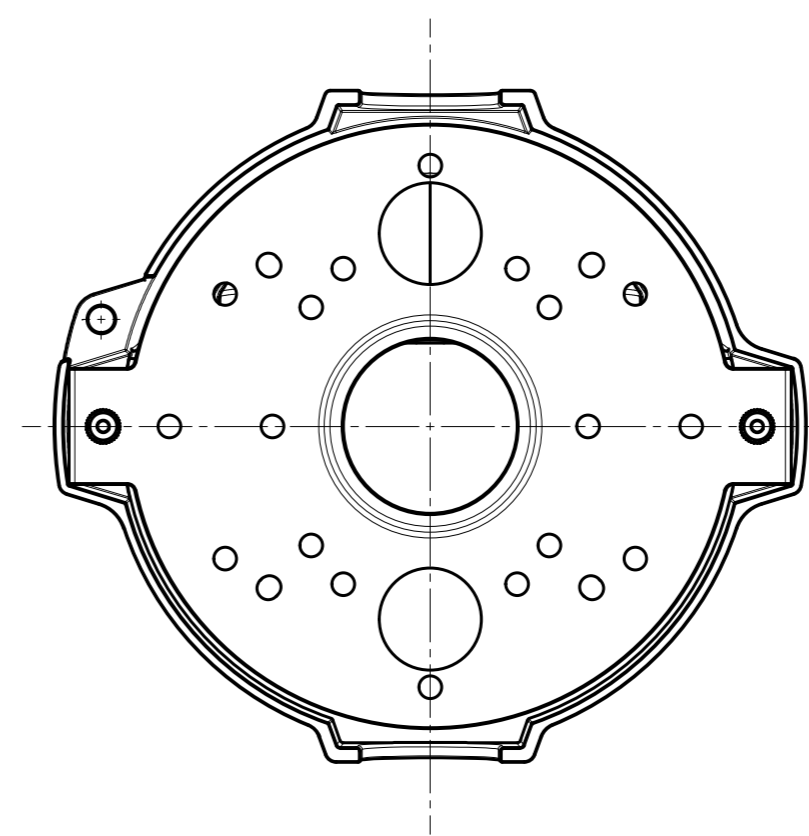
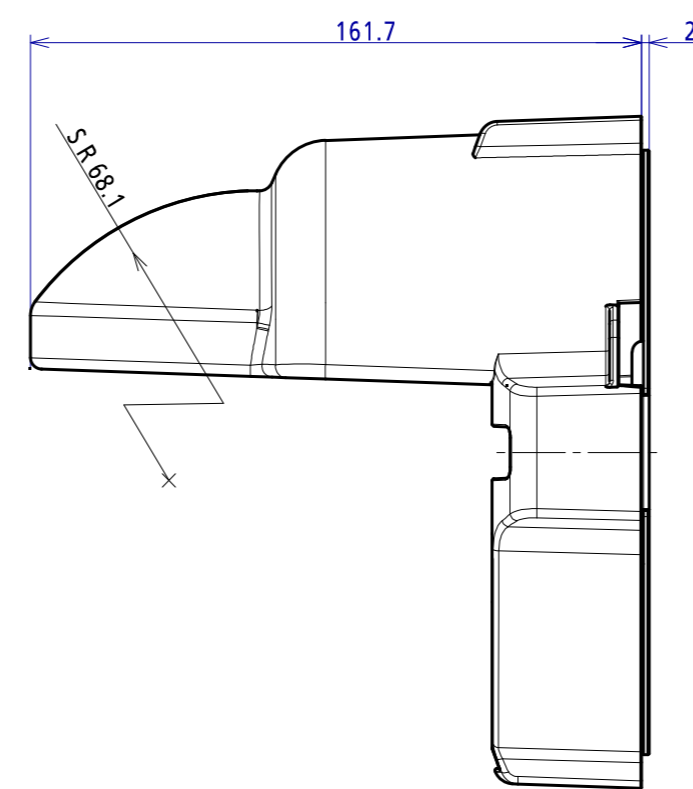
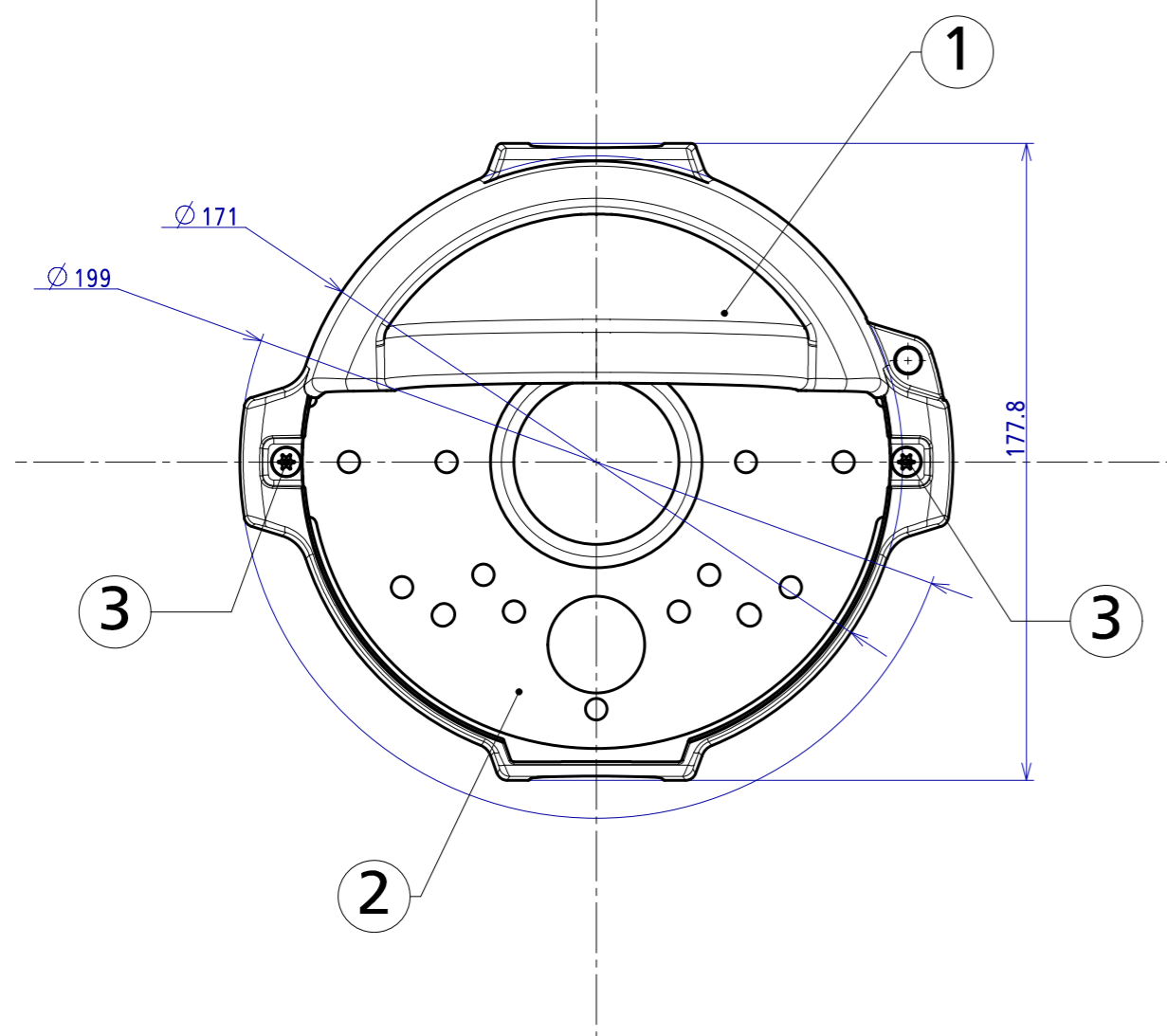


Mark	Drawing No. or Parts No.	Drawing Name or Parts Name	Qt.	Material · Dimension	Process	Remark
1	PGKV1217ZA/C1	SUN SHADE	1	ADC12	COLOR:LIGHT GRAY	
2	PGKV1220ZA/C1	BASE COVER OPTION	1	SUS 430 (t=1.5mm)	Degreasing	
3	PGHD1092ZA/C4	TORX M4 FOR SUNSHADE	2	SUSXM7	Degreasing	
4	PGGT1687ZA/C1	NAME LABEL	1			
5	YVZC700RB50	SERIAL NO. LABEL	1	POLYESTER FILM	PRINT	



Appearance of Sun Shade which is fixed with WV-SFV631L/611L serie.



Unit:mm