

65-inch Class FULL HD LED Display

TH-65LFE7U

● Product specification (design and specification subject to change without notice)

■ DISPLAY PANEL

Screen Size (Diagonal)	64.5-inch (1639 mm)
Panel type	VA / E-LED
Aspect ratio	16:9
Effective Display Area (W x H)	56.3" x 31.7" (1429 x 804 mm)
Number of Pixels (H x V)	1920 x 1080 pixels
Brightness	350 cd/m ² (Typ)
Contrast Ratio	5000:1
Response Time	9.5 ms (G to G)
Viewing Angle (Horizontal / Vertical)	176° / 176°
Panel Life Time	approx. 50000 hours*
Panel Surface Treatment	Anti-glare treatment (Haze 1%)

* An approximate time until the panel brightness decreases to half of its original value.

■ CONNECTION TERMINAL

HDMI IN	HDMI TYPE A Connector x 2	
DVI-D IN	DVI-D 24pin x 1	Compliance with DVI Revision 1.0 Compatible with HDCP 1.1
AUDIO IN (L/R)	Stereo mini jack (M3) x 1 (Shared with PC IN)	0.5 V rms
PC IN	Mini D-sub 15pin x 1 (Female)	G : with sync 1.0 Vp-p (75Ω) : without sync 0.7 Vp-p (75Ω) B : 0.7 Vp-p (75Ω) R : 0.7 Vp-p (75Ω) HD/VD : 1.0 - 5.0 Vp-p (high impedance)
AUDIO IN (L/R)	Stereo mini jack (M3) x 1 (Shared with DVI-D IN)	0.5 V rms
5V CHARGE OUT	5 V 500 mA (Max)	

■ CONTROL

SERIAL IN / OUT	D-sub 9pin x 1, RS-232C Compatible
LAN	RJ45 x 1 10BASE-T / 100BASE-TX, Compatible with PLink
IR IN / OUT	Stereo mini jack (M3) x 1 / x 1

■ AUDIO

AUDIO OUT	Stereo mini jack (M3) x 1
Built in Speaker	20 W [10 W + 10 W] (10% THD)

■ ELECTRICAL

Power Requirements	110 - 127 V AC, 50/60 Hz.
Power Consumption	135 W
Power Off Condition	0.4 W
Stand-by Condition	0.5 W

■ MECHANICAL

Dimensions (W x H x D)	57.4" x 33.1" x 2.1" (1458 x 840 x 52 mm)
Bezel Width	0.5" (10.8 mm) (L/R/T), 0.7" (17.9 mm) (B)
Carton Dimensions (W x H x D)	62.4" x 37.4" x 9.0" (1576 x 948 x 227) mm
Weight	approx. 73.9 lbs (33.5 kg)
Gross Weight	approx. 90.4 lbs (41 kg)
Cabinet Material / Color	Front : Metal, Plastic Rear : Metal / Black
Pitch for Wall-Hanging	VESA Compliant 15.8" x 15.8" (400 x 400 mm) (Installed by: M6 screws / Screw hole depth 0.83" [21 mm])

■ ENVIRONMENTAL

Operating Environment	Temperature	: 32°F to 104°F (0°C to 40°C)
	Humidity	: 20% to 80% (Non condensation)
Storage Environment	Temperature	: -4°F to 140°F (-20°C to 60 °C)
	Humidity	: 20% to 80% (Non condensation)

■ STANDARD (CERTIFICATIONS)

SAFETY REGULATIONS	UL60065, CAN / CSA-22.2No60065:03
RADIATION REGULATIONS	FCC Part 15 Class-B, ICES-003

■ REMOTE CONTROL TRANSMITTER

Power Requirements	DC 3 V (2 x AA Size batteries)
Operating distance	approx. 32 ft (7 m) in front of LCD Display
Weight	approx. 3.5 oz (100 g) including batteries

■ INCLUDED ACCESSORIES

- AC cord - Remote Control Transmitter - Batteries	
UPC Code	885170184978

MAIN FEATURE

Digital Zoom	Yes
Multi Screen	Yes
Power ON Screen Delay	Yes
Seam Hides Video Off Mode	Yes
1:1 Pixel mode	Yes
Automatic Picture Position	Yes
Screen Saver	Yes
PC Power Management	Yes
DVI-D Power Management	Yes
HDMI Power Management	Yes
ECO Mode	Yes
Input Lock	Yes
Button Lock	Yes
Remote-control User Level	Yes
Orientation	Portrait / Landscape
Input Search	Yes
Early Warning Software compatible	Yes
Operating Time*	16h/day

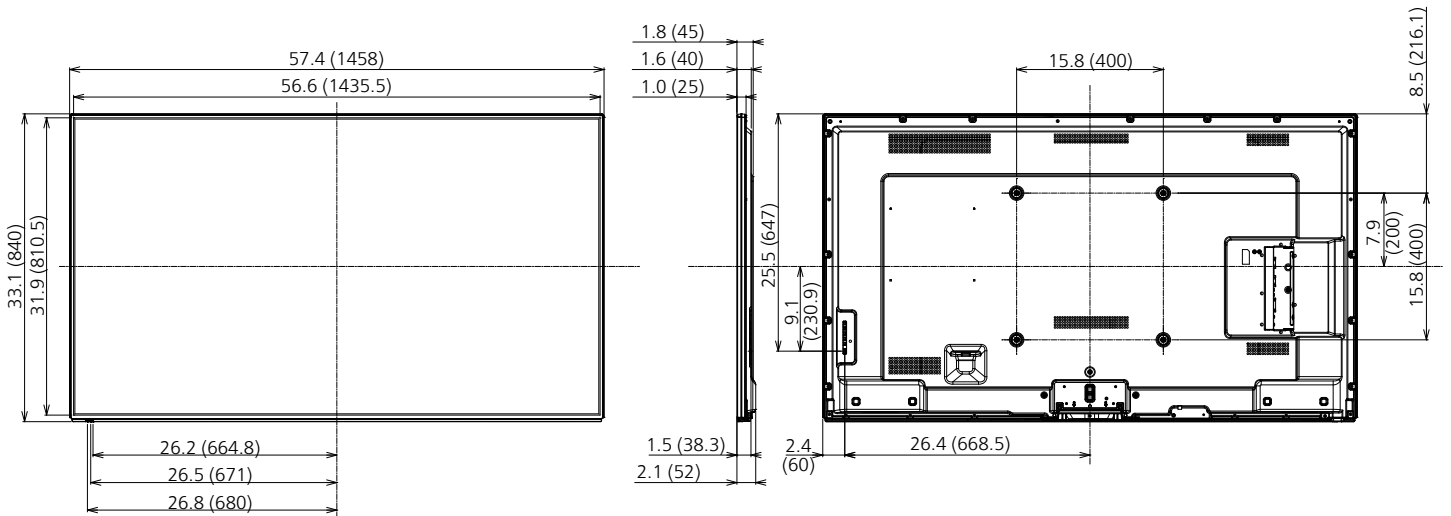
* In case of running for a long time, the moving image is recommended to be displayed. If you display a still picture for an extended period, the image retention might remain on the screen. However, image retention can gradually disappear by displaying movie images.

OPTIONAL ACCESSORIES

Pedestal	TY-ST65PE7
Early Warning Software	ET-SWA100

DIMENSIONS

Cautions: This drawing is not a scale
Units : inches (mm)



CONNECTION TERMINAL



APPLICABLE INPUT SIGNALS

PC signals

*Mark: Applicable input signal

	Signal name	Horizontal frequency (kHz)	Vertical frequency (Hz)	PC IN (Dot clock (MHz))	DVI-D IN (Dot clock (MHz))	HDMI
1	640 x 400 @70Hz	31.46	70.07	* (25.17)		
2	640 x 480 @60Hz	31.47	59.94	* (25.18)	* (25.18)	*
3	640 x 480 @72Hz	37.86	72.81	* (31.5)		
4	640 x 480 @75Hz	37.50	75.00	* (31.5)		
5	640 x 480 @85Hz	43.27	85.01	* (36.0)		
6	800 x 600 @56Hz	35.16	56.25	* (36.0)		
7	800 x 600 @60Hz	37.88	60.32	* (40.0)	* (40.0)	*
8	800 x 600 @72Hz	48.08	72.19	* (50.0)		
9	800 x 600 @75Hz	46.88	75.00	* (49.5)		
10	800 x 600 @85Hz	53.67	85.06	* (56.25)		
11	852 x 480 @60Hz	31.47	59.94		* (34.24)	*
12	1024 x 768 @50Hz	39.55	50.00		* (51.89)	*
13	1024 x 768 @60Hz	48.36	60.00	* (65.0)	* (65.0)	*
14	1024 x 768 @70Hz	56.48	70.07	* (75.0)		
15	1024 x 768 @75Hz	60.02	75.03	* (78.75)		
16	1024 x 768 @85Hz	68.68	85.00	* (94.5)		
17	1066 x 600 @60Hz	37.64	59.94		* (53.0)	*
18	1152 x 864 @60Hz	53.70	60.00		* (81.62)	*
19	1152 x 864 @75Hz	67.50	75.00	* (108.0)		
20	1280 x 768 @60Hz	47.70	60.00	* (80.14)		
21	1280 x 960 @60Hz	60.00	60.00	* (108.0)		
22	1280 x 960 @85Hz	85.94	85.00	* (148.5)		
23	1280 x 1024 @60Hz	63.98	60.02	* (108.0)	* (108.0)	*
24	1280 x 1024 @75Hz	79.98	75.02	* (135.0)		
25	1280 x 1024 @85Hz	91.15	85.02	* (157.5) *1		
26	1366 x 768 @50Hz	39.55	50.00		* (69.92)	*
27	1366 x 768 @60Hz	48.36	60.00	* (86.71)	* (87.44)	*
28	1400 x 1050 @60Hz	65.22	60.00		* (122.61)	*
29	1600 x 1200 @60Hz	75.00	60.00	* (162.0)	* (162.0)	*
30	1920 x 1080 @60Hz	67.50	60.00	* (148.5)	* (148.5)	*
31	1920 x 1200 @60Hz	74.04	59.95		* (154.0)	*
32	Macintosh13" (640 x 480)	35.00	66.67	* (30.24)		
33	Macintosh16" (832 x 624)	49.72	74.55	* (57.28)		
34	Macintosh21" (1152 x 870)	68.68	75.06	* (100.0)		

*1 Not compatible with SYNC ON G.

- The signal format automatically detected may differ from the actual input signal in display.

Component signals

*Mark: Applicable input signal

	Signal name	Horizontal frequency (kHz)	Vertical frequency (Hz)	DVI-D IN (Dot clock (MHz))	HDMI
1	525 (480) / 60i	15.73	59.94	* (27.0)	*
2	525 (480) / 60p	31.47	59.94	* (27.0)	*
3	625 (575) / 50i	15.63	50.00		
4	625 (576) / 50i	15.63	50.00	* (27.0)	*
5	625 (575) / 50p	31.25	50.00		*
6	625 (576) / 50p	31.25	50.00	* (27.0)	*
7	750 (720) / 60p	45.00	60.00	* (74.25)	*
8	750 (720) / 50p	37.50	50.00	* (74.25)	*
9	1125 (1080) / 60p	67.50	60.00	* (148.5)	*
10	1125 (1080) / 60i	33.75	60.00	* (74.25)	*
11	1125 (1080) / 50p	56.25	50.00	* (148.5)	*
12	1125 (1080) / 50i	28.13	50.00	* (74.25)	*
13	1125 (1080) / 24sF	27.00	48.00		
14	1125 (1080) / 30p	33.75	30.00	* (74.25)	*
15	1125 (1080) / 25p	28.13	25.00	* (74.25)	*
16	1125 (1080) / 24p	27.00	24.00	* (74.25)	*