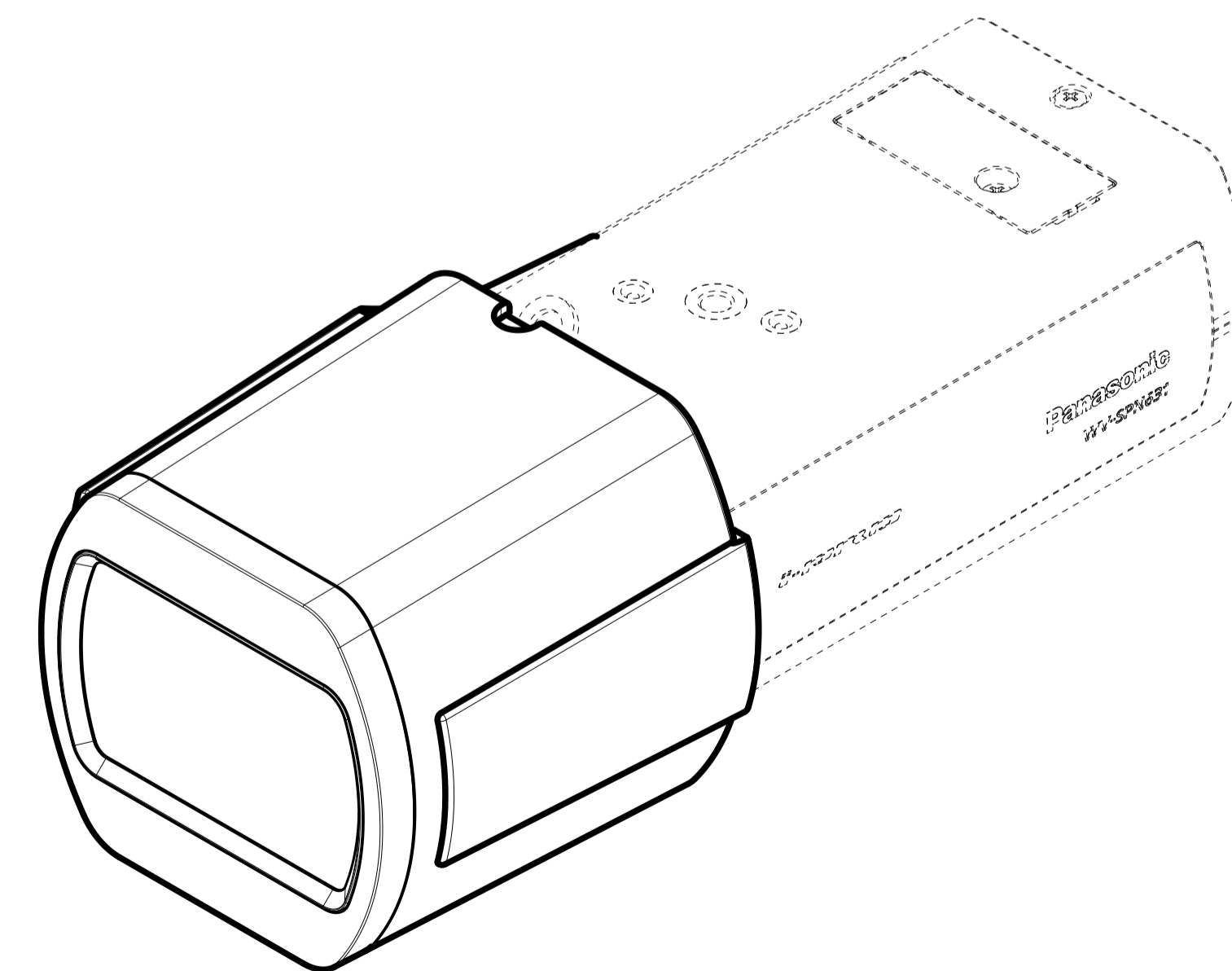
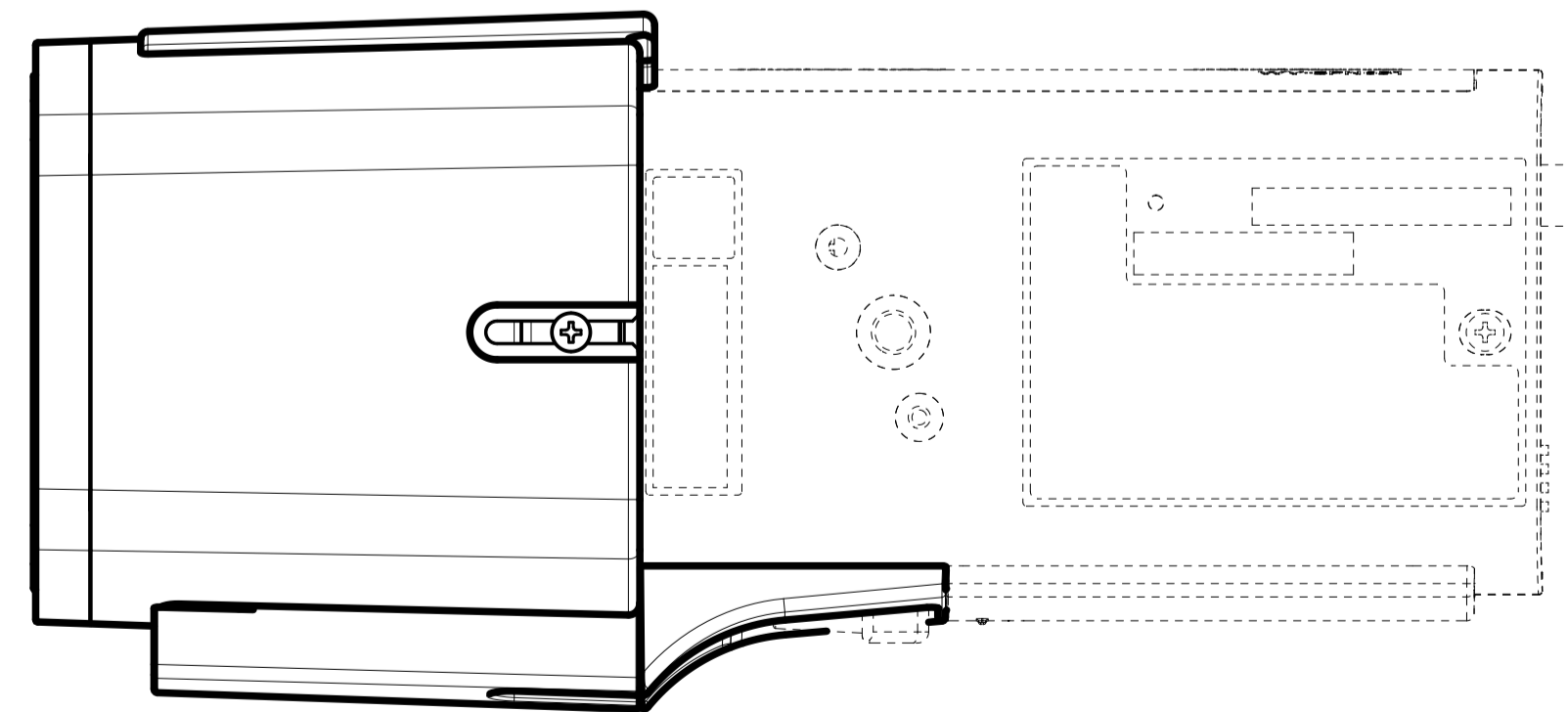
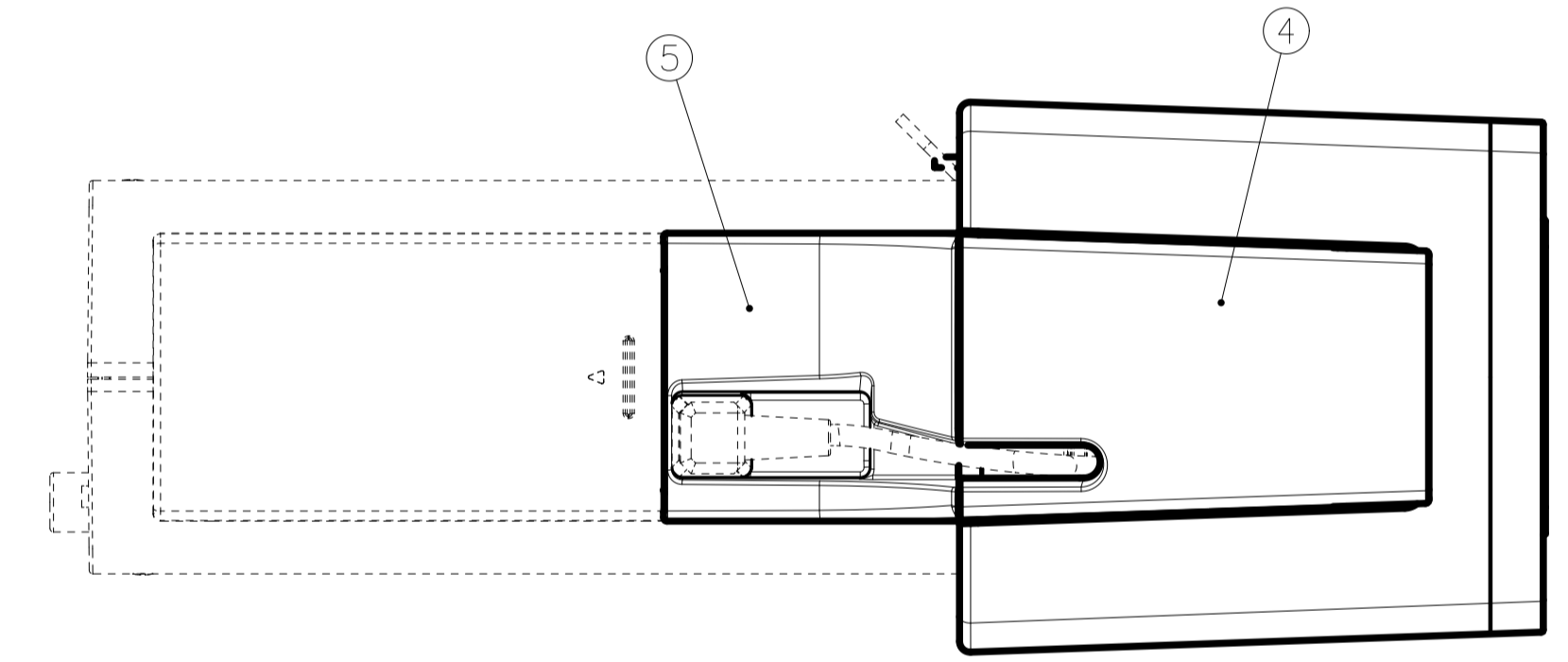
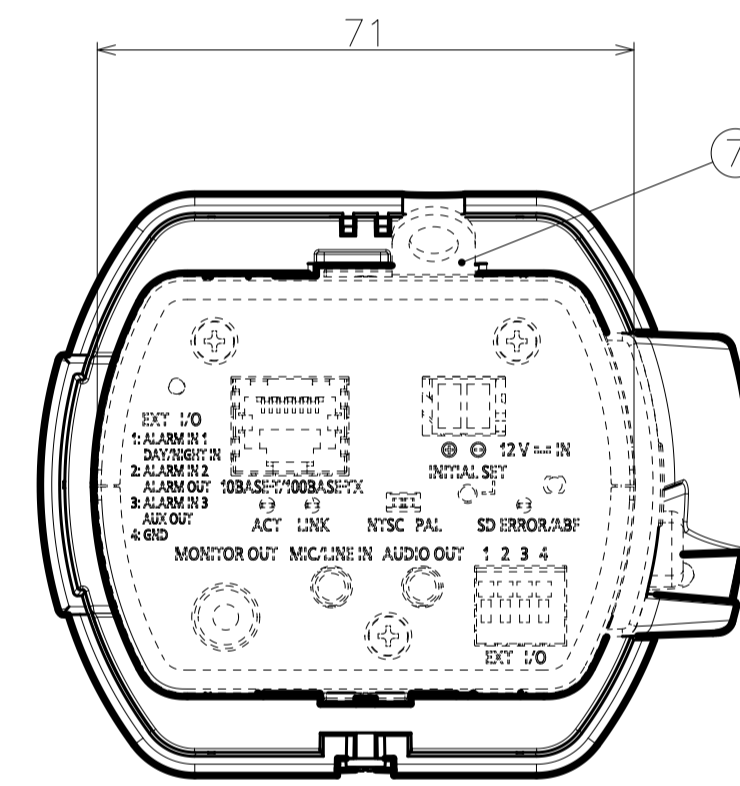
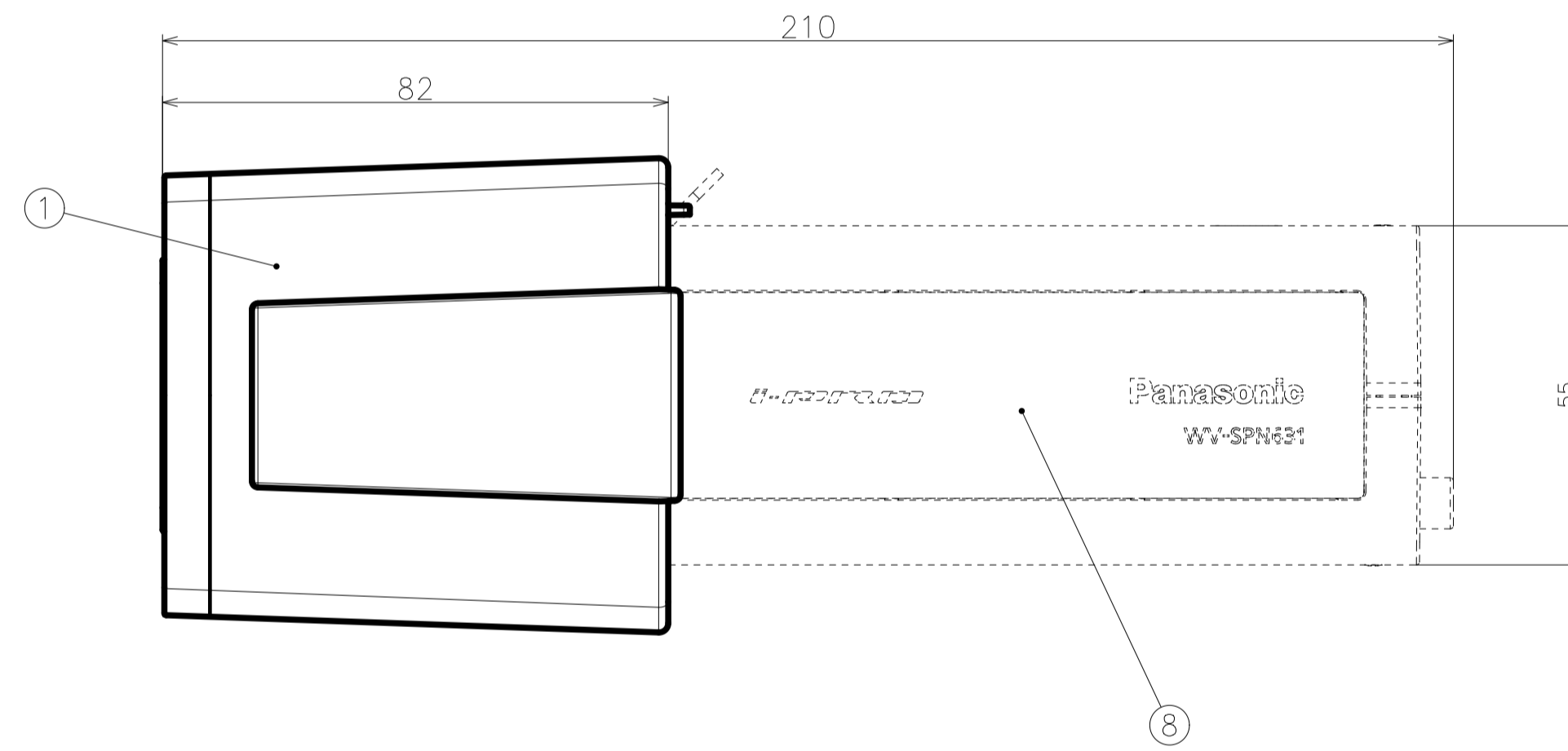
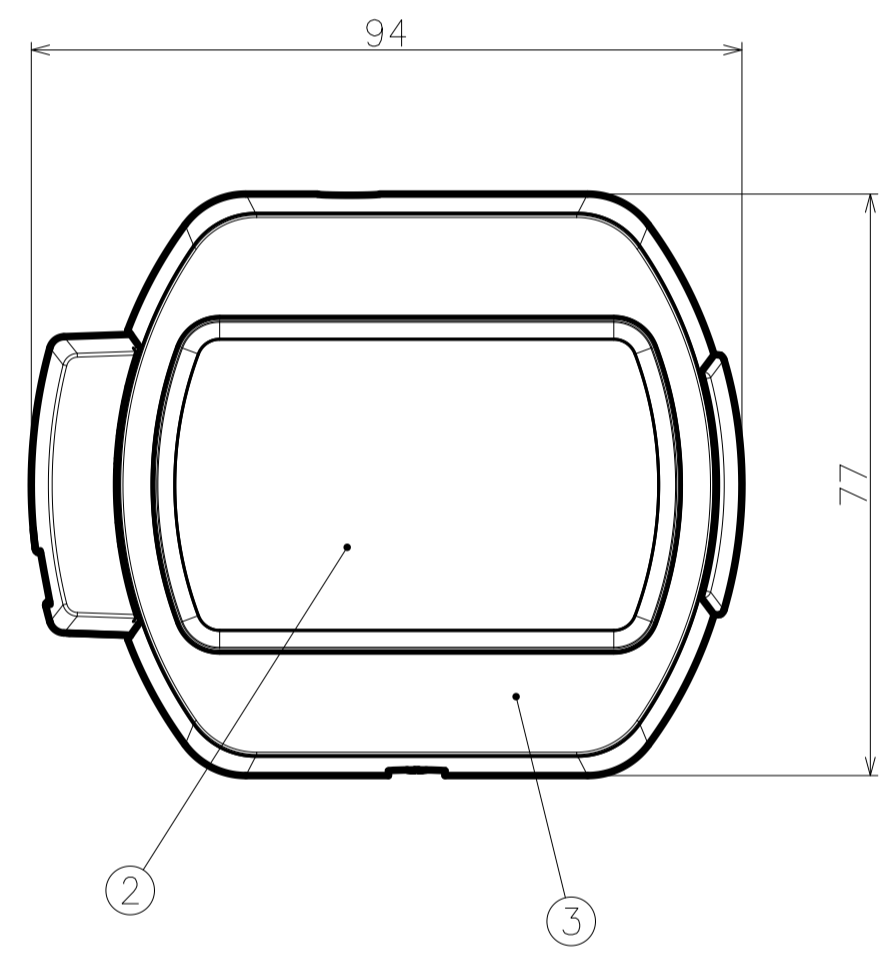
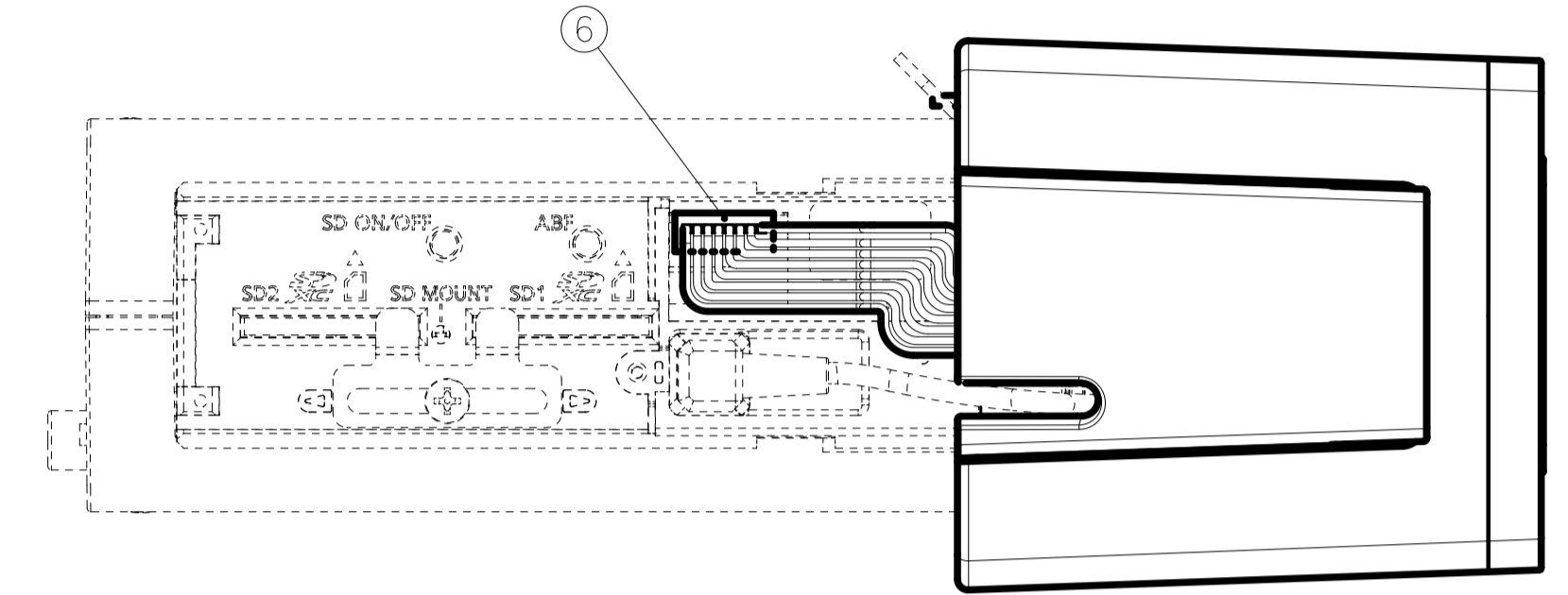
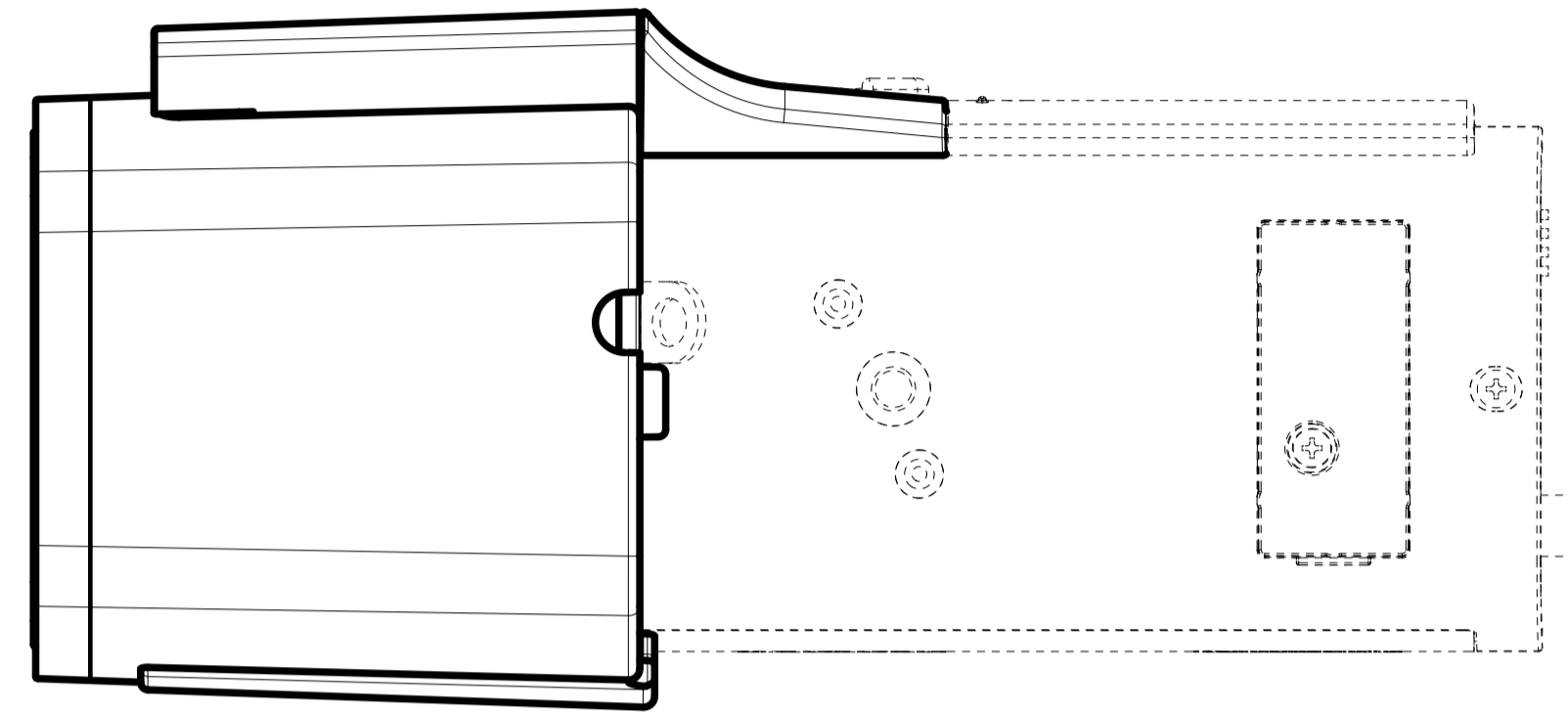


No.	PART NAME	MATERIAL	Process·Remark
1	LENS_HOOD	PC+ABS	
2	FRONT_PLATE	PMMA	
3	LED_COVER	PMMA	
4	REAR_CAP	PC+ABS	
5	CABLE_COVER	PC+ABS	
6	CONNECTOR	-	
7	MOUNT_ANGLE (Not included)	SUS304	
8	CAMERA UNIT (Not included)	-	



WV-SPN6FRL1

Unit:mm