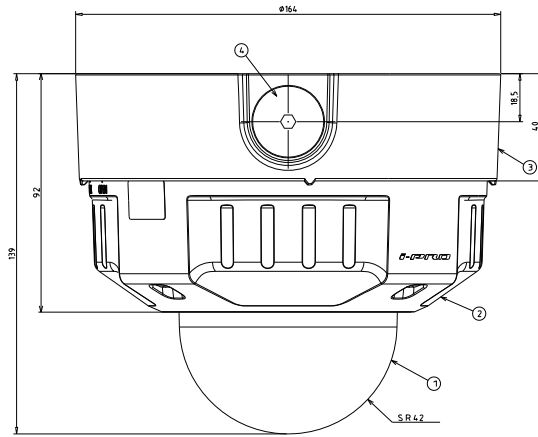
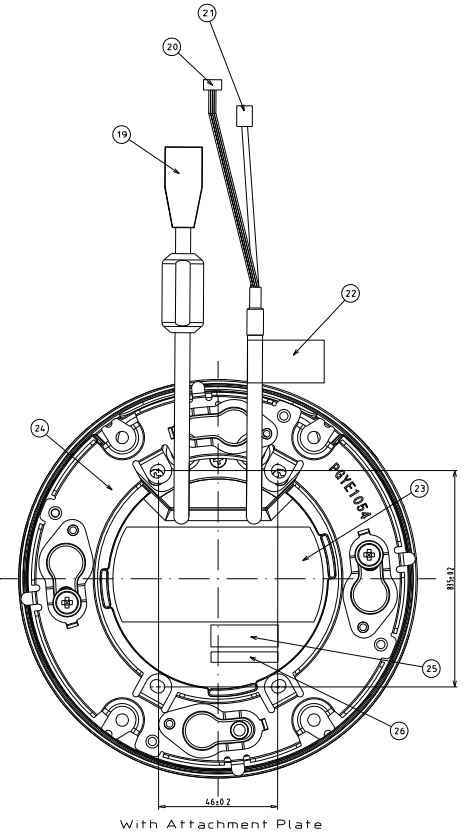


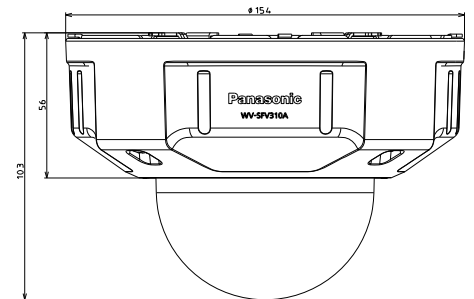
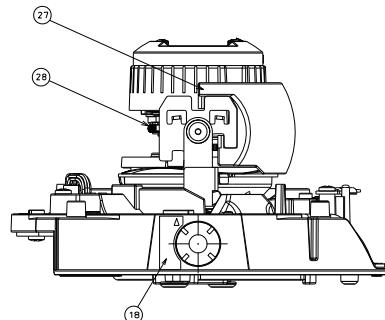
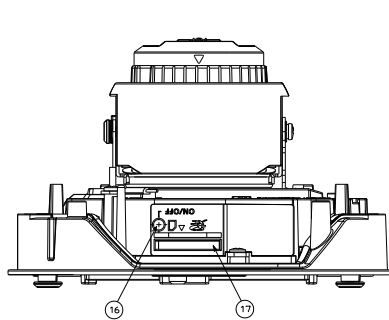
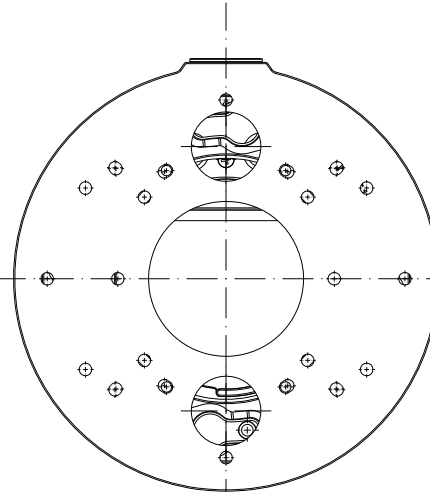
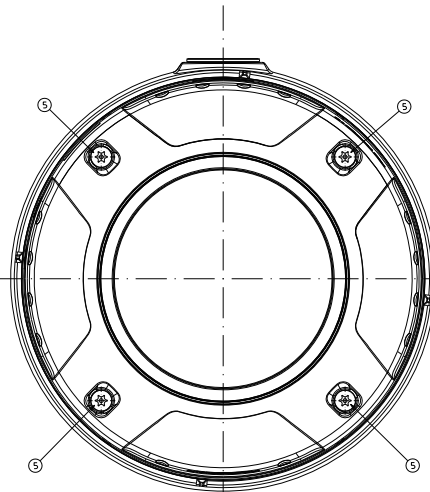
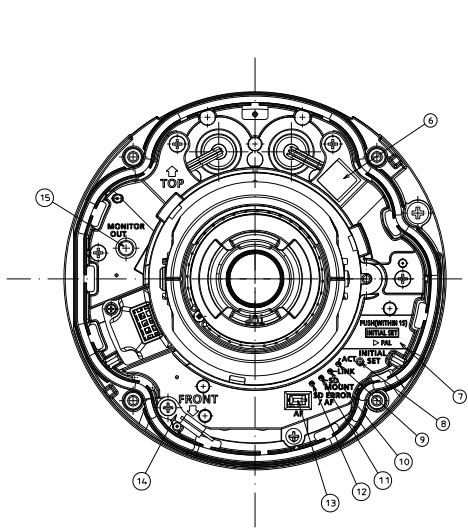
NO	Part Name	Material	Process	Remark
1	Clear Dome Cover	PC		With a Protection Film
2	Enclosure	ADC12		Coating(Light Gray)
3	Mounting Base Cover	ADC12		
4	Pipe Hole Cap	PA		
5	Enclosure Lock Screw	Stainless steel		
6	Data Matrix Label	Polyester Film		
7	NTSC/PAL Switch Label	Polyester Film		
8	INITIAL SET Switch			
9	ACCESS LED(LINK)			
10	Link LED(LINK)			
11	SD MOUNT LED			
12	SD ERROR / AF LED			
13	AF Switch (AF)			
14	Support Wire	SUS304		
15	MONITOR OUTPUT jack			
16	SD ON/OFF Switch			
17	SD Slot			
18	Positioning Label	Polyester Film		
19	Network Cabel			
20	Alarm I/O Cabel			
21	Power Cabel			
22	Wiring Attention Label	Polyester Film	Black	
23	Attachment plate	SECC		
24	Name Plate	Polyester Film		
25	Code Label			
26	Serial Number Label	Polyester Film		
27	Inner Case	PC		
28	ZOOM Knob			



Side-view
(with Mounting BASE COVER) 0.015m²



With Attachment Plate



Unit:mm

WV-SFV310A