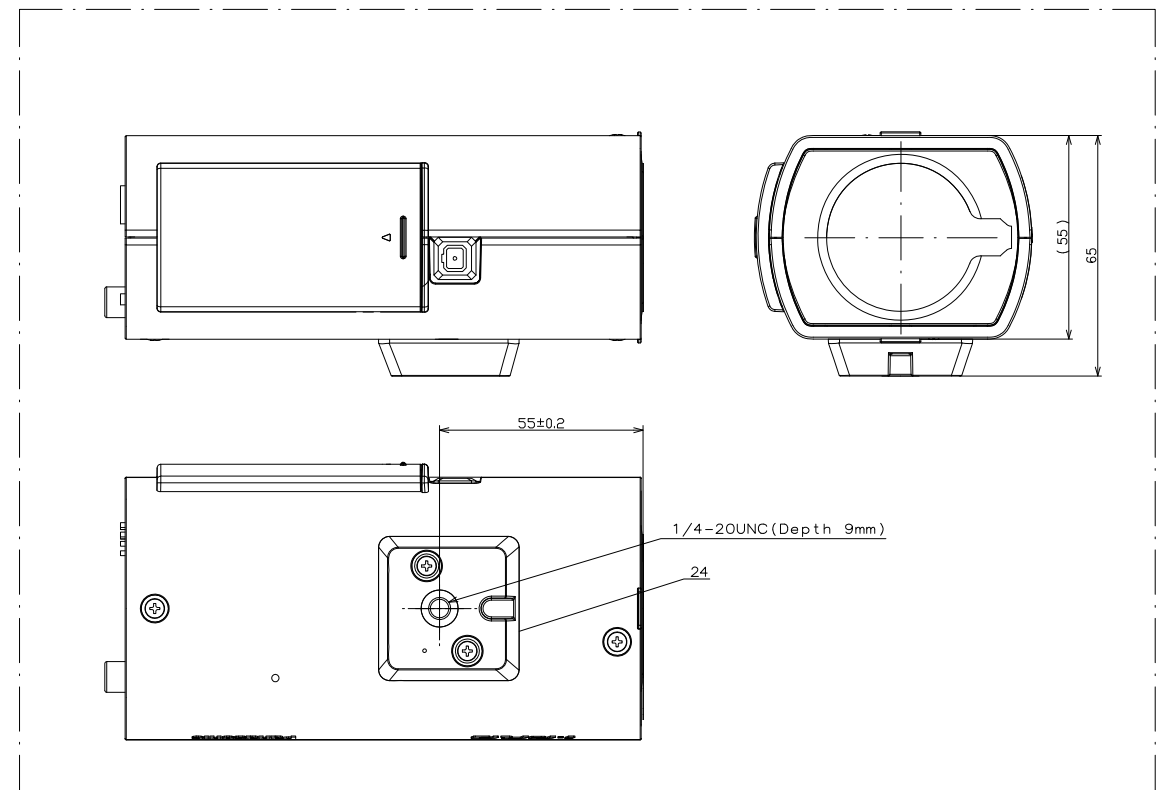
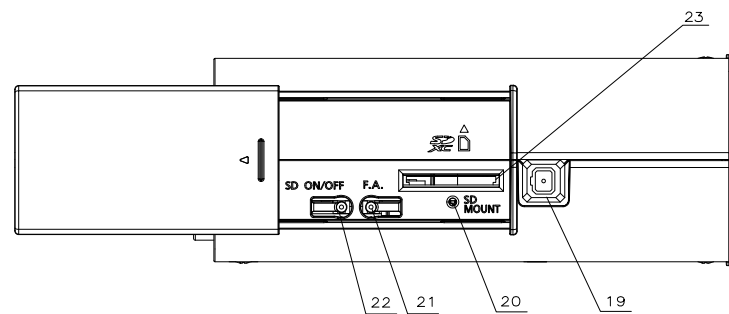
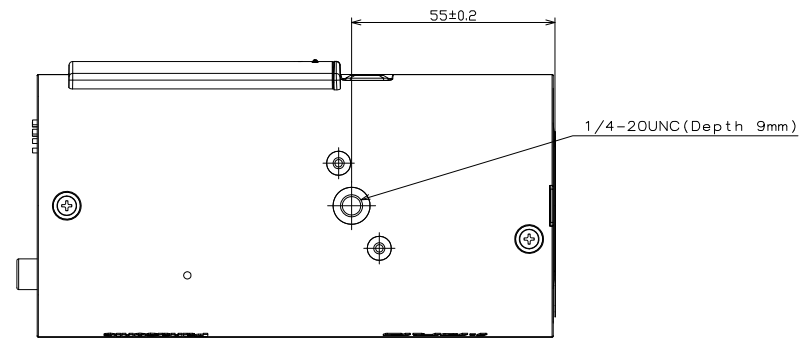
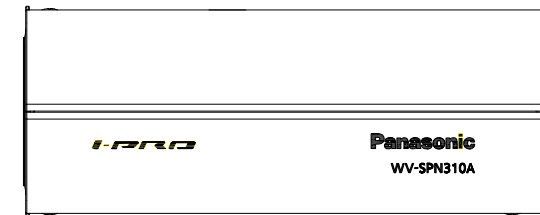
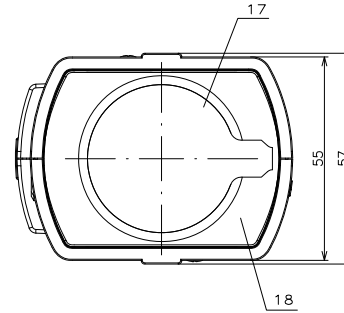
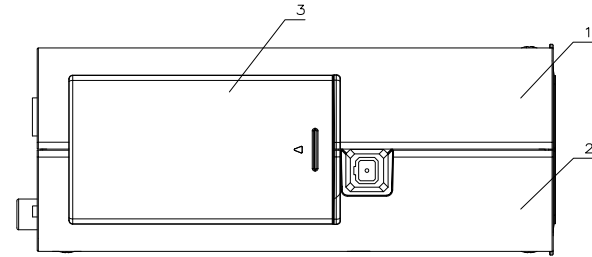
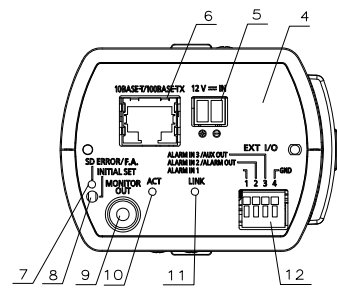
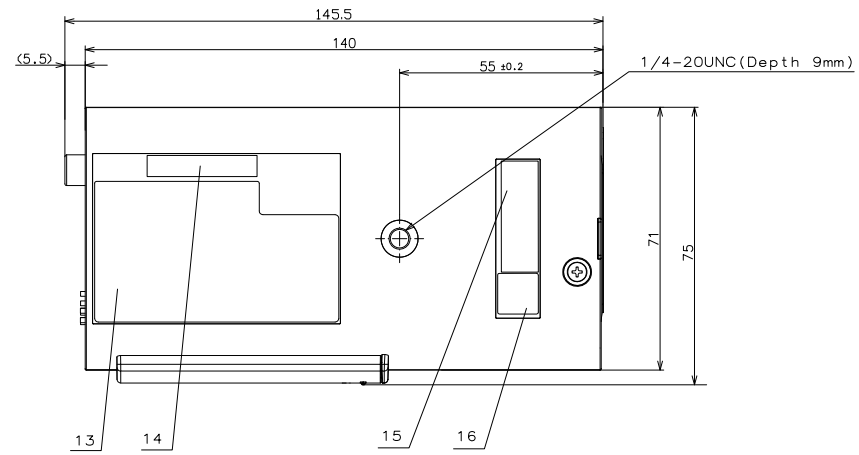


| NO. | NAME                 | Material           | Processing          |
|-----|----------------------|--------------------|---------------------|
| 1   | Upper Case           | PC+ABS             | Sail white          |
| 2   | Lower Case           | PC+ABS             | Sail white+Printing |
| 3   | SD Cover             | PC+ABS             | Sail white          |
| 4   | Rear Panel           | PC                 | Printing            |
| 5   | DC 12 Input Terminal |                    |                     |
| 6   | RJ-45 Connector      |                    |                     |
| 7   | SD ERROR/FA LED      |                    |                     |
| 8   | Initial Switch       |                    |                     |
| 9   | Monitor Out Jack     |                    |                     |
| 10  | ACT LED              |                    |                     |
| 11  | LINK LED             |                    |                     |
| 12  | EXT I/O Connector    |                    |                     |
| 13  | Name Plate           | Polyester Film     | Printing            |
| 14  | Serial No. Label     | Polyester Film     | Printing            |
| 15  | Code Label           | Polyester Film     | Printing            |
| 16  | Data Matrix Label    | Polyester Film     | Printing            |
| 17  | Lens Mount Label     | Polypropylene Film | Printing            |
| 18  | Front panel          | ABS                |                     |
| 19  | AIC LENS CONNECTOR   |                    |                     |
| 20  | SD MOUNT LED         |                    |                     |
| 21  | FA BUTTON            |                    |                     |
| 22  | SD ON/OFF BUTTON     |                    |                     |
| 23  | SD Slot              |                    |                     |
| 24  | TRIPOD ATTACHMENT    | PC+ABS             |                     |



Unit:mm

**WV-SPN310A**