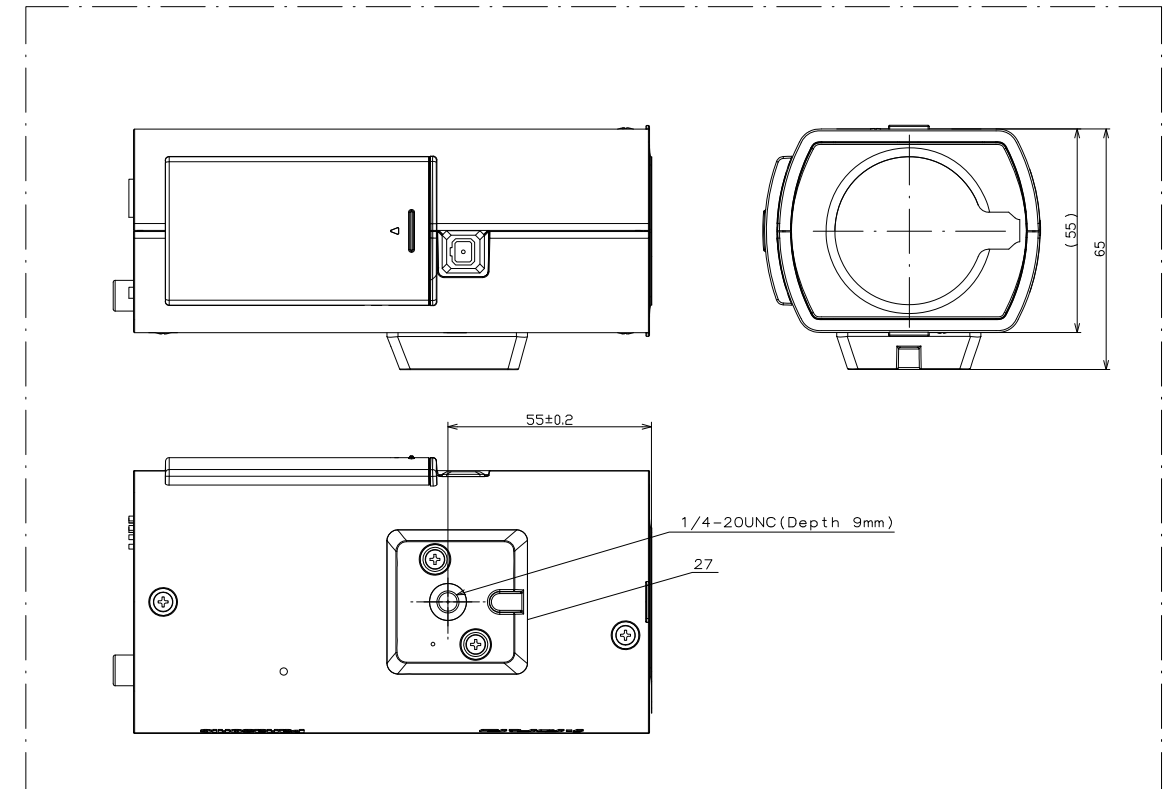
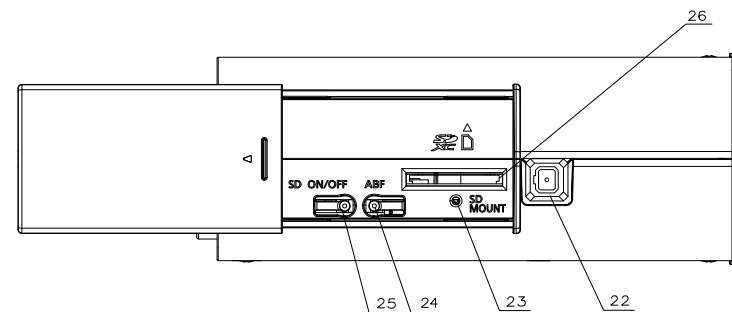
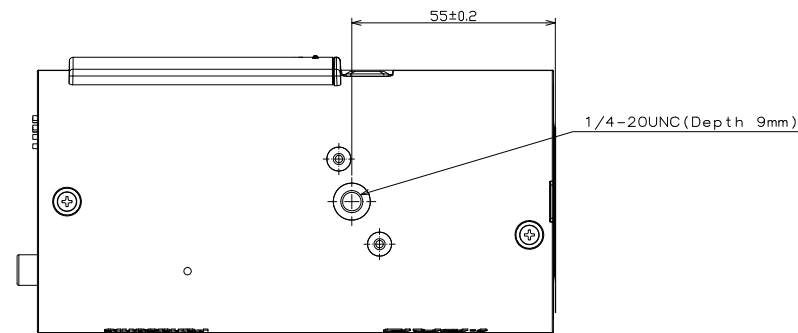
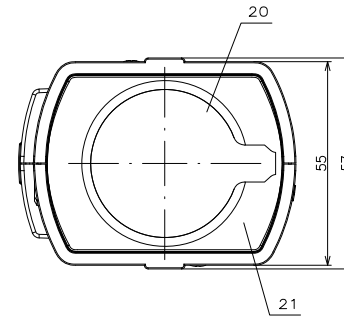
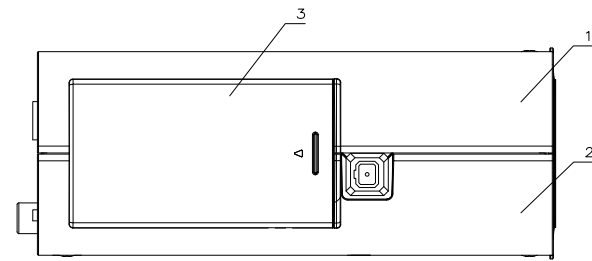
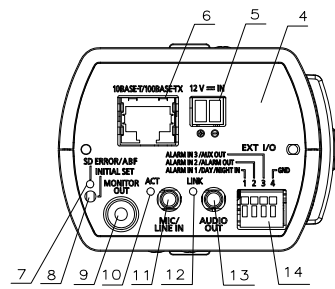
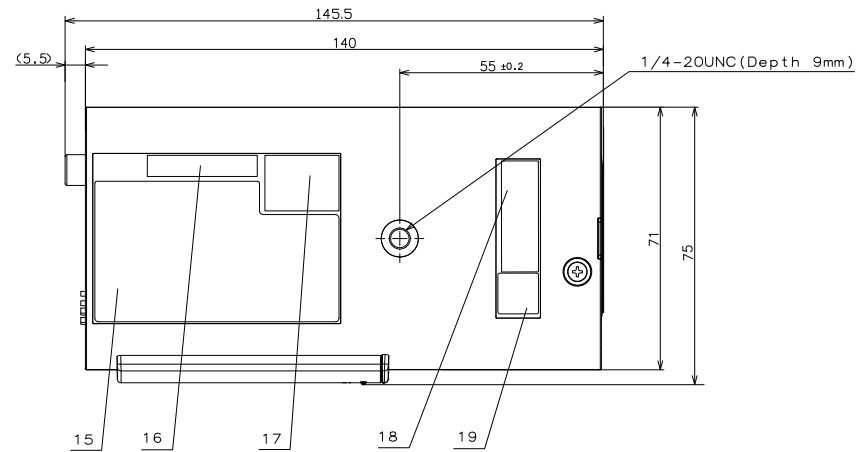


No.	NAME	Material	Processing
1	Upper Case	PC+ABS	Styl white
2	Lower Case	PC+AB	Styl white/Printing
3	SD Cover	PC+ABS	Styl white
4	Rev. Panel	PC	Printing
5	DC L. Input Terminal		
6	RS-485 Connector		
7	SD ERROR/ABF LED		
8	Initial Switch		
9	Monitor Cut Jack		
10	MT LED		
11	MIC/LINE IN Jack		
12	LINK LED		
13	AUDIO CUT Jack		
14	EXT. I/O Connector		
15	Name Plate	Polyester Film	Printing
16	Serial No. Label	Polyester Film	Printing
17	Product Year Label	Polyester Film	Printing
18	Color Label	Polyester Film	Printing
19	Data Matrix Label	Polyester Film	Printing
20	Lens Mount Label	Polystyrene Film	
21	Front Panel	ABS	
22	MT LED CONNECTOR		
23	SD MOUNT LED		
24	ABF BUTTON		
25	SD ON/OFF BUTTON		
26	SD Slot		
27	TRIPD ATTACHMENT	PC+ABS	



Unit:mm

**WV-SPN311A**