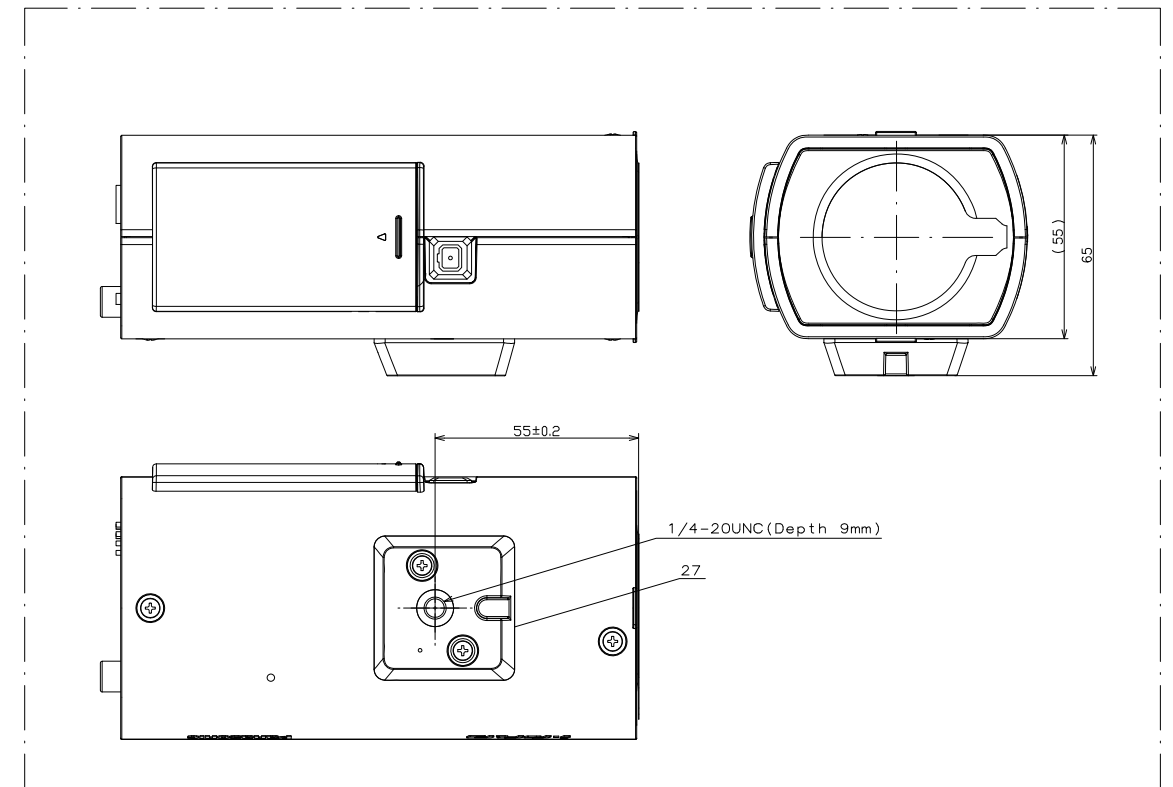
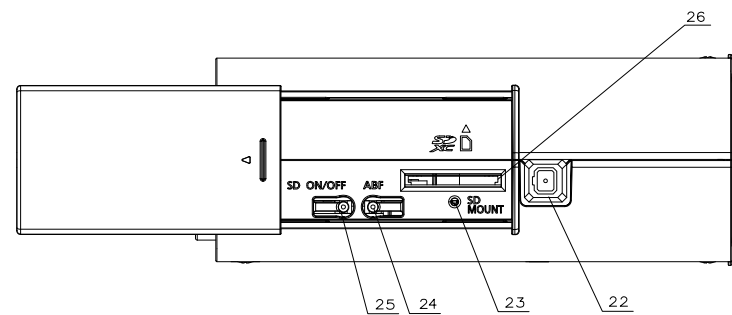
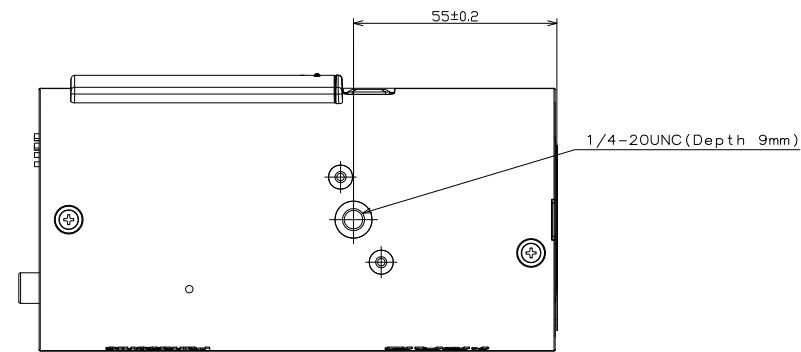
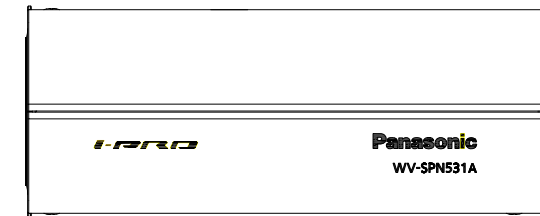
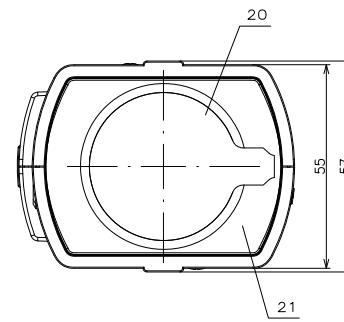
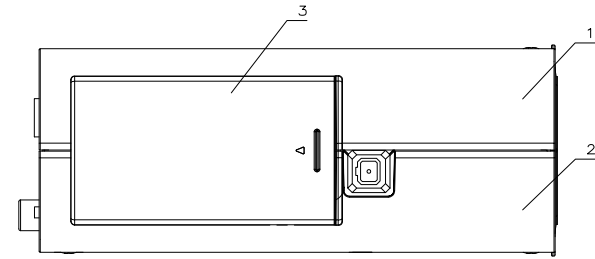
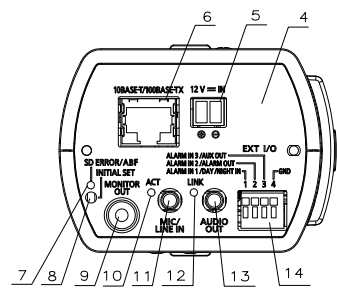
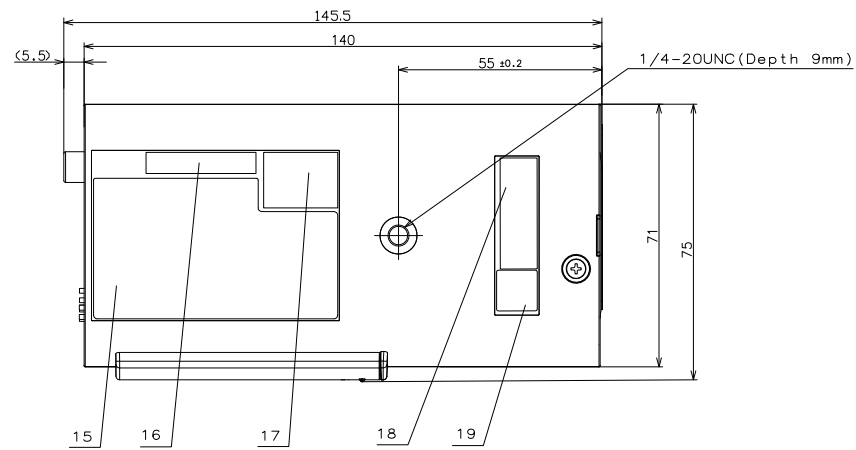


NO.	NAME	Material	Processing
1	Upper Case	PC-ABS	Sail white
2	Lower Case	PC-ABS	Sail white/Printing
3	SD Cover	PC-ABS	Sail white
4	Rear Panel	PC	Printing
5	DC 12 Input Terminal		
6	RJ-45 Connector		
7	SD ERROR/ABF LED		
8	Initial Switch		
9	Monitor Out Jack		
10	ACT LED		
11	MIC/LINE IN Jack		
12	LINK LED		
13	AUDIO OUT Jack		
14	EXT I/O Connector		
15	Name Plate	Polyester Film	Printing
16	Serial No. Label	Polyester Film	Printing
17	Product Year Label	Polyester Film	Printing
18	Code Label	Polyester Film	Printing
19	Data Matrix Label	Polyester Film	Printing
20	Lens Mount Label	Polypropylene Film	Printing
21	Front panel	ABS	
22	ALC LENS CONNECTOR		
23	SD MOUNT LED		
24	ABF BUTTON		
25	SD ON/OFF BUTTON		
26	SD Slot		
27	TRIPOD ATTACHMENT	PC-ABS	

WV-SPN311A_Lens_D_L.png



Unit:mm

WV-SPN531A