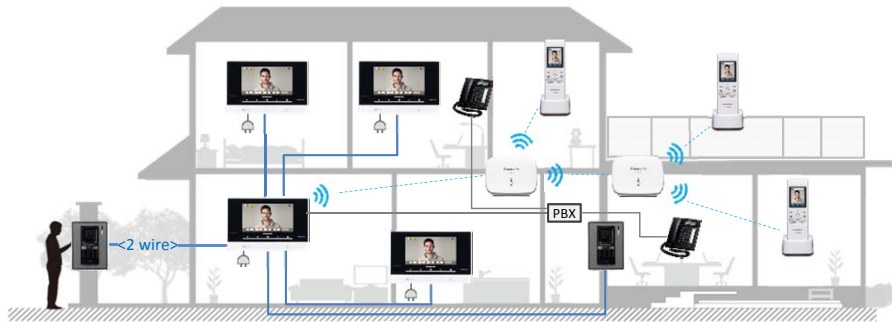


System Configuration

Expanded system example

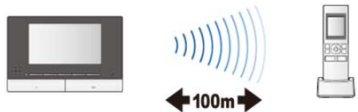


*A total of up to 6 extension monitors and wireless sub monitors can be registered to the main monitor.



DECT Repeater *Up to 2 repeater can be used.

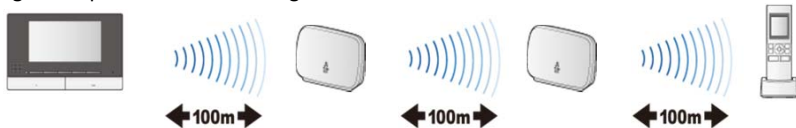
The DECT Repeater can also be connected to increase usage area.



• Using one repeater

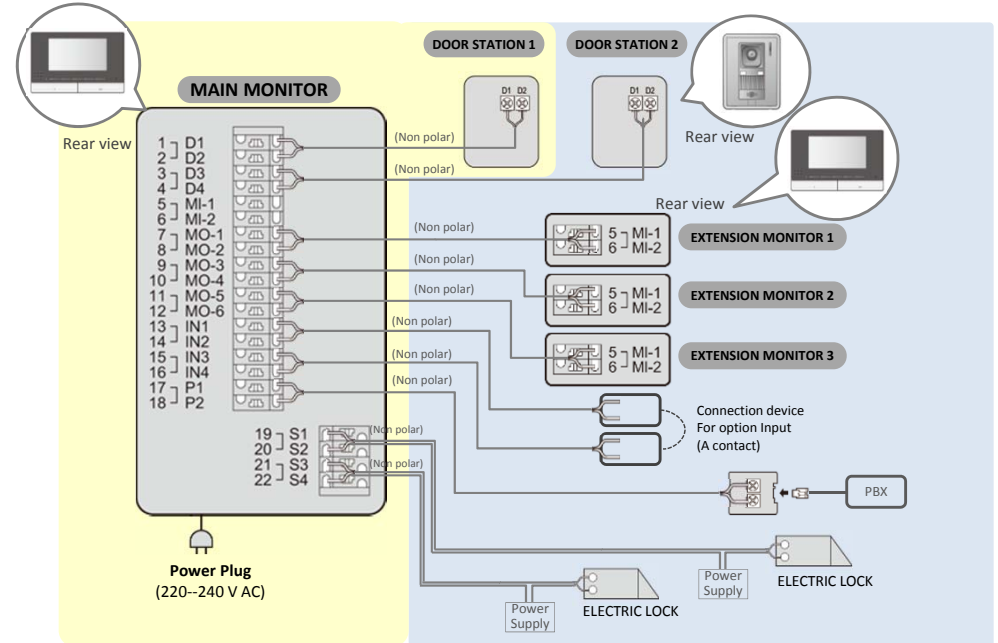


• Using two repeaters connected together



* Signal range differs depending on factors such as the structure of rooms or the types of walls used.

Wiring Schematic Diagram



Wire type and length

Wiring run	Wire type *1		
	Diameter		Length (Max.)
Door Station - Main monitor-Extension Monitor *2	Φ 0.65mm	22 AWG	100 m
	Φ 1.0 mm	18 AWG	130 m
	Φ 0.5 mm	CAT 5	50 m
Main monitor – Electric lock *3	ø 0.5 mm - ø 1.2 mm (24 AWG - 17 AWG)		According to the specifications of the connected device.
Main monitor – Connection device for option input (A contact)*3	ø 0.5 mm - ø 1.2 mm (24 AWG - 17 AWG)		According to the specifications of the connected device.
Main monitor - PBX	ø 0.65 mm	CAT 3 or 22 AWG	100 m

*1 Type: Single-pair cable with outer sheath (jacket)

Conductor: Copper solid

• A certified power supply wiring has to be used with this equipment. The relevant national installation and/or equipment regulations shall be considered. A certified power supply wiring not lighter than ordinary polyvinyl chloride flexible wiring according to IEC 60227 shall be used.

*2 When an extension monitor is used, make sure that the total wiring length from the door Station to the main monitor and then to the extension monitor, is within about 100 m.

*3 When using an electric lock or a connection device for option input (A contact), select a device that meets the following guidelines:

• Electric lock connection terminal (S1/S2, S3/S4):

- N/O dry closure contact
- 30 V AC (1 A)/24 V DC (1 A) or lower

• Connection device for option input (A contact) terminal (IN1/IN2/IN3/IN4):

- Input method: No-voltage contact
- Open-circuit voltage between terminals: DC 7 V or less
- Detection definite time: 0.1 second or more
- Short-circuit between terminals: 5 mA or less
- Resistance value: make: 500 Ω or less, break: 15 KΩ or more