

NTSC WV-CS954 (24 V AC) PAL WV-CS950 (220 ~ 240 V AC)
WV-CS954 (24 V AC)



30x Optical Zoom Day/Night Dome Camera featuring Super Dynamic III

Key Features

- **Super Dynamic III** technology delivers 128x (NTSC) / 160x (PAL) wider dynamic range compared to conventional cameras.
- High resolution: 540 TV lines typical/520 TV lines minimum (Color HIGH mode), 480 TV lines minimum (Color NORMAL mode), 570 TV lines minimum (B/W mode)
- High sensitivity with Day/Night function: 0.5 lux (Color) at F1.4 (Wide), 0.04 lux (B/W) at F1.4 (Wide). IR cut filter switches on/off to enhance the sensitivity in B/W mode.
- Adaptive Digital Noise Reduction: Integration of 2D-DNR and 3D-DNR ensures noise reduction in various conditions.
- Electronic sensitivity enhancement: Auto (Up to 32x) / Fix (Up to 32x)
- 30x zoom lens: 3.8 ~ 114 mm (approx. 300x with digital zoom)
- Pan/Tilt speed of max. 400°/s at preset mode and 0.065°/s super fine control at manual mode
- 256 preset positions that can be activated from the system controller with a switcher or recorder (specific models).
- Proportional pan/tilt speed: Pan/Tilt speed varies corresponding to zoom position for easier operation.
- 5 degrees upper view for various applications
- Patrol function replays manual camera control of up to 2 minutes including PTZ.
- Auto tracking: The camera automatically pans and tilts to follow a moving subject and keep it in the center of the image.
- VMD (Video Motion Detector) with Mask 8 x 6 areas
- Scene Change Detection alarms when lens is covered, spray painted, removed or defocused.
- Various I/O terminals: ALARM IN 1 ~ 4, ALARM OUT1/AUX OUT1, BW/AUX2 OUT
- Alarm sources include Terminal 1 ~ 4, VMD and Command alarm. Alarm actions include Terminal output, Camera positioning, Auto pan, Patrol, SEQ, Sort, Auto track, B/W and command output.

- Auto Image Stabilizer for applications where vibration or wind is a concern
- Internal/Line-lock/Multiplexed Vertical Drive (VD2) synchronization
- Area title: Displays OSD title for each of 8 panning directions (45 deg each). Pre-programmed title or customized title with up to 16 characters is available.
- Scene File can change various camera setting concurrently according to the scene upon selecting a preset position.
- Privacy Zone can mask up to 8 private areas, such as house windows and entrances/exits.
- 16 alphanumeric camera title display
- Multi language: English, French, Italian, Spanish, German, Russian, Chinese, Japanese
- Internal/Line-lock/Multiplexed Vertical Drive (VD2) synchronization
- Over the coaxial cable or RS-485 data communication

Standard Accessories

• Operating Instructions 1 pc.	• 8P Alarm Cable 1 pc.
The following items are for installation.	• 4P Alarm Cable 1 pc.
• Decorative Cover 1 pc.	• Connector for 24 V AC
• Dust Protection Sheet 1 pc.	(only for WV-CS954) 1 pc.

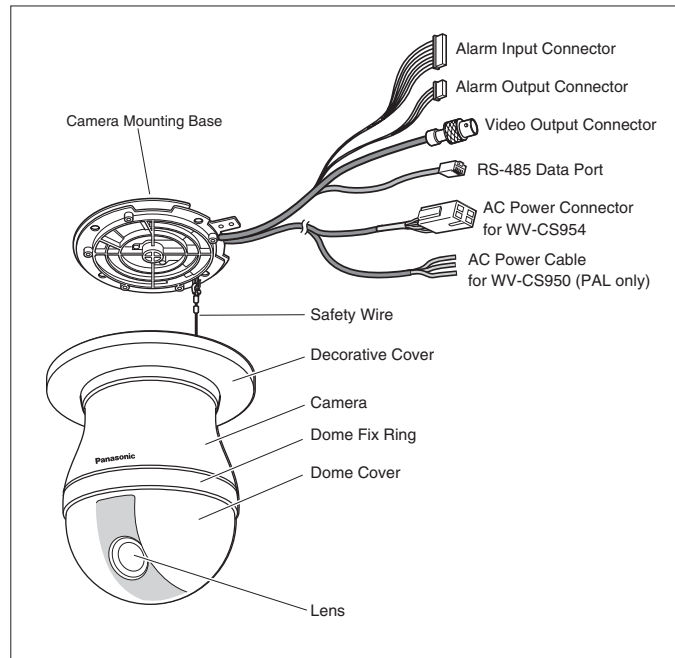
Optional Accessories

Ceiling Mount Bracket WV-Q105	Embedded Ceiling Mount Bracket WV-Q116	Pendant Mount Bracket WV-Q117	Wall Mount Bracket WV-Q118	Smoke Dome Cover WV-CS3S

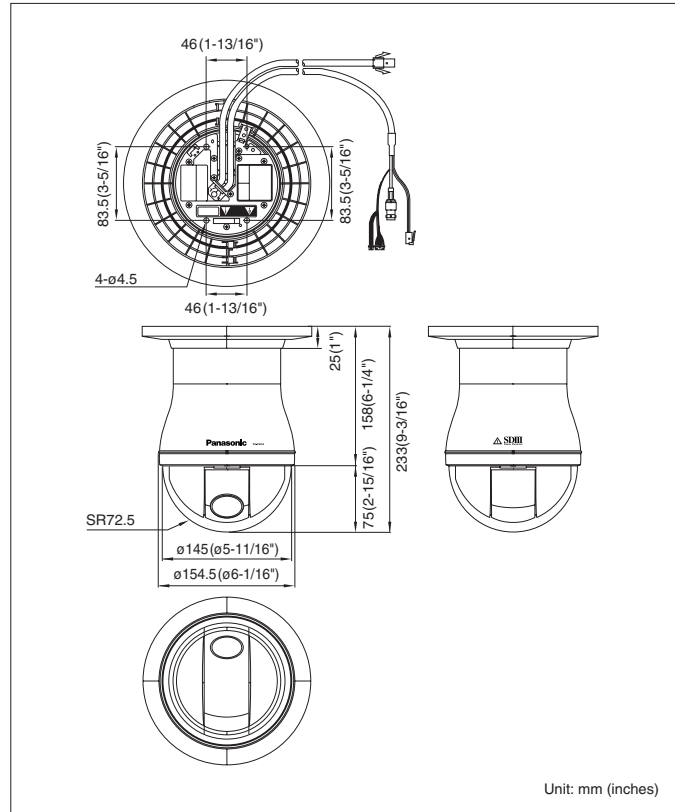
Specifications

TV System	NTSC	PAL
Camera	1/4 inch interline transfer CCD	
Effective Pixels	768 (H) x 494 (V)	752 (H) x 582 (V)
Scanning Mode	2:1 interlace	
Scanning Area	3.65 (H) x 2.74 (V) mm	3.65 (H) x 2.71 mm (V)
Scanning Frequency	Horizontal: 15.734 kHz Vertical: 59.94 Hz	Horizontal: 15.625 kHz Vertical: 50 Hz
Scanning Line	525 lines	
Horizontal Resolution	480 TV lines minimum (color NORMAL mode) 540 TV lines typical, 520 TV lines minimum (color HIGH mode) 570 TV lines minimum (B/W mode)	
Minimum Illumination	0.5 lux (Color) at F1.4 (Wide) 0.04 lux (B/W) at F1.4 (Wide)	
Signal-to-Noise Ratio	50 dB (AGC: OFF, Weight: ON)	
White Balance	AWC, ATW1, ATW2	
Light Control	ALC / MANUAL	
AGC	ON (LOW, MID, HIGH) / OFF	
Super Dynamic III	ON / OFF (With BLC masking)	
Dynamic Range	52 dB typical (Super Dynamic III: ON)	
Electronic Shutter	OFF (1/60), AUTO, 1/100, 1/250, 1/500, 1/1,000, 1/2,000, 1/4,000, 1/10,000 s	OFF (1/50), AUTO, 1/120, 1/250, 1/500, 1/1,000, 1/2,000, 1/4,000, 1/10,000 s
Electronic Sensitivity UP	OFF / AUTO (2x, 4x, 6x, 10x, 16x, 32x) / FIX (2x, 4x, 6x, 10x, 16x, 32x)	
Digital Noise Reduction	High or Low	
Resolution Mode	Normal or High	
Black and White Mode	Mode: AUTO / ON / OFF, Level: High / Low, with external control	
Digital Zoom	10x	
Scene File	10 patterns (Shutter, AGC, Sens UP, White balance, VMD)	
Scene Select Setting	INDOOR (L) / INDOOR (H) / OUTDOOR (L) / OUTDOOR (H)	
Video Motion Detection	Mask 8 x 6 areas	
Privacy Zone	OFF / Gray / Mosaic, 8 zones	
Auto Image Stabilizer	ON / OFF	
Camera Title	16 alphanumeric characters	
Auto Focus	Manual (one push) / AUTO (after PTZ operation)	
Synchronization	Internal (INT), Multiplexed Vertical Drive (VD2), Line-Lock (LL)	
Lens	Focal Length: 3.8 ~ 114 mm, 30x zoom (approx. 300x with digital zoom)	
Zoom Speed	approx. 6.0 second (Tele ~ Wide) in manual mode	
Zoom Limit	1x ~ 300x (Over 30x is digital zoom)	
Angular Field of View	Horizontal: 1.9° (Tele) ~ 52.0° (Wide), Vertical: 1.4° (Tele) ~ 40.0° (Wide)	
Maximum Aperture Ratio	1:1.4 (Wide) ~ 3.7 (Tele)	
Focusing Range	Object Distance 1.5 m ~ ∞	
Aperture Range	F1.4 ~ 22, Close	
Pan and Tilt	Panning Range: 360° endless	
Panning Speed	Manual: approx. 0.065°/s ~ 120°/s, 256 steps, Preset: approx. 400°/s	
Tilting Range	-5° ~ 185°	
Tilting Speed	Manual: approx. 0.065°/s ~ 120°/s, 256 steps, Preset: approx. 400°/s	
Proportional Pan/Tilt Control	Supported	
Number of Preset Positions	256	
Auto Mode	OFF, Home, SEQ, SORT, AUTO PAN, PATROL 1 ~ 4, AUTO TRACK	
Auto Track	Standard Auto track	
Patrol	2 min. (1 program), 1 min. (2 programs), 30 sec. (4 programs)	
Image Hold	ON / OFF	
Digital Flip	ON / OFF	
Area Title	8 area titles, 16 characters/area	
Preset Alarm	ON / OFF	
Alarm	Alarm Source: Terminal input, VMD, Command alarm	
Alarm Actions	Preset position 1 ~ 4, PATROL 1 ~ 4, AUTO TRACK 1 ~ 4, SEQ, SORT, AUTO PAN, B/W	
Input/Output	Video Output: 1.0 V [p-p] / NTSC composite 75 Ω / BNC Connector, Multiplexed VD2 and control data capable / 1.0 V [p-p] / PAL composite 75 Ω / BNC Connector, Multiplexed VD2 and control data capable	
RS-485 Control IF	1x RS-485 (RJ-11), 2/4wire, Full/Half duplex	
External I/O Terminals	4 inputs (POS1 ~ 4, AUTO PAN / SEQ / SORT / BW, PATROL 1 ~ 4, AUTO TRACK 1 ~ 4), 2 outputs (ALARM / AUX1, BW / AUX2)	
General	Setup Method: OSD setup menu	
Password Lock	ON / OFF	
Language	English, Russian (For setup menu and camera title), German, French, Italian, Spanish (For setup menu), Chinese, Japanese (Only for camera title. Setup menu will be English.)	
Safety/EMC Standard	UL (6500), FCC (Part15 ClassA), C-UL (E60065)	CE (EN60065, EN55022 ClassB, EN55024), GOST (GOST R 51558)
Power Source and Power Consumption	24 V AC, 60 Hz, 13 W	WV-CS950: 220 ~ 240 V AC, 50 Hz, 13 W WV-CS954: 24 V AC, 50 Hz, 13 W
Ambient Operating Temperature	-10 °C ~ +50 °C (-14 °F ~ 122 °F)	
Ambient Operating Humidity	90 % or less (without condensation)	
Dimensions	ø154.5 mm x 233 mm (H) (ø6-1/16" x 9-3/16" (H))	
Weight (approx.)	2.2 kg (4.84 lbs.)	

Part Names and Functions



Appearance



Trademarks and registered trademarks

- "Super Dynamic", "SDII", "SDIII" and "i-Pro" logos are trademarks or registered trademarks of Panasonic Corporation.

Important

- Safety Precaution: carefully read the operating instructions and installation manual before using this product.

- All TV pictures are simulated.
- Weights and dimensions are approximate.
- Specifications are subject to change without notice.
- These products may be subject to export control regulations.
- All product pictures are NTSC models.

DISTRIBUTED BY:

Panasonic®

<http://panasonic.net/security/>

Printed in Japan (2A-029AL)