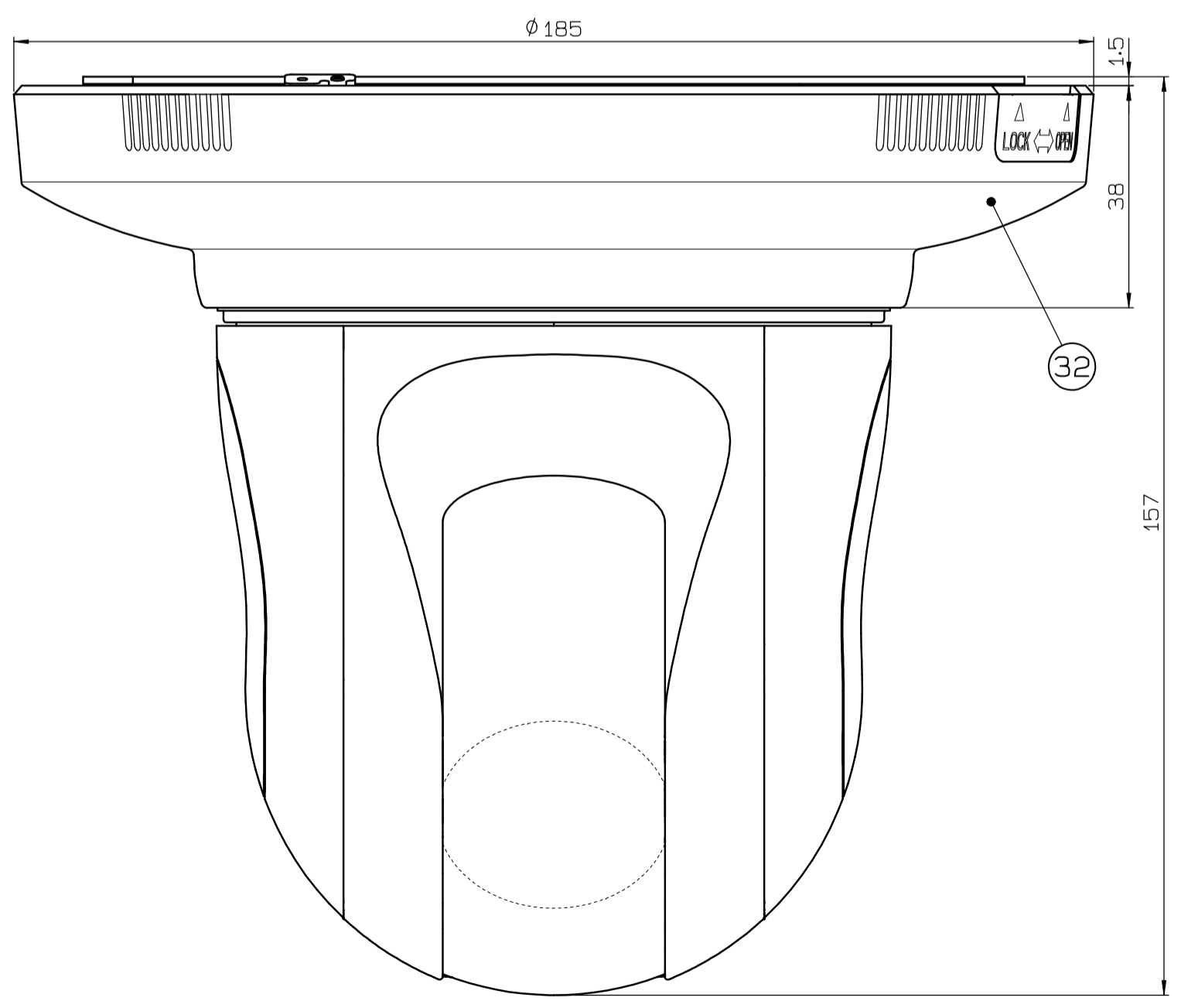
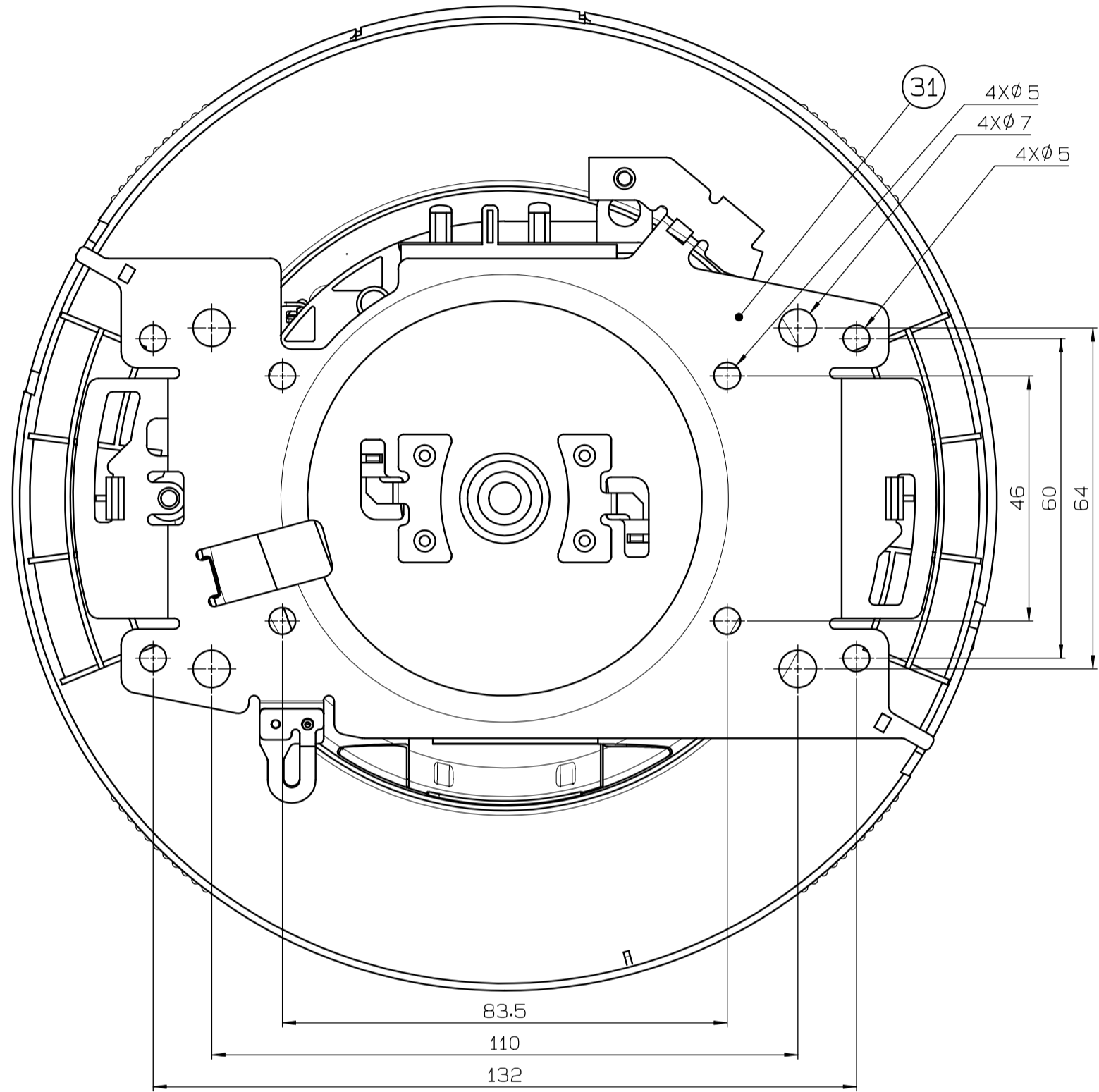
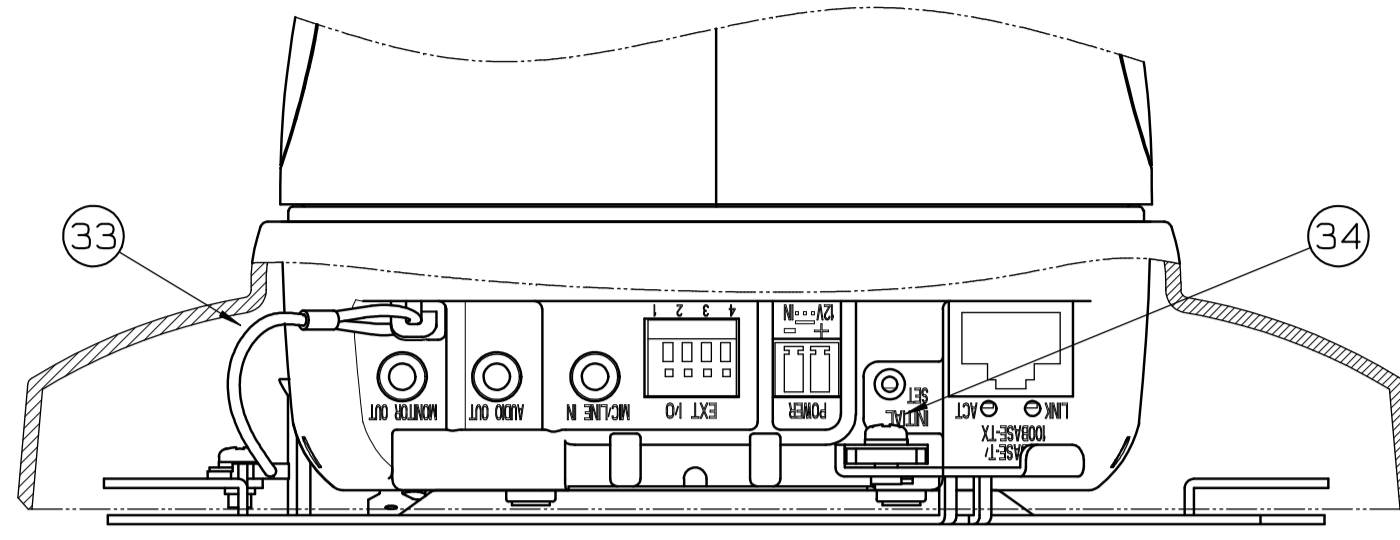


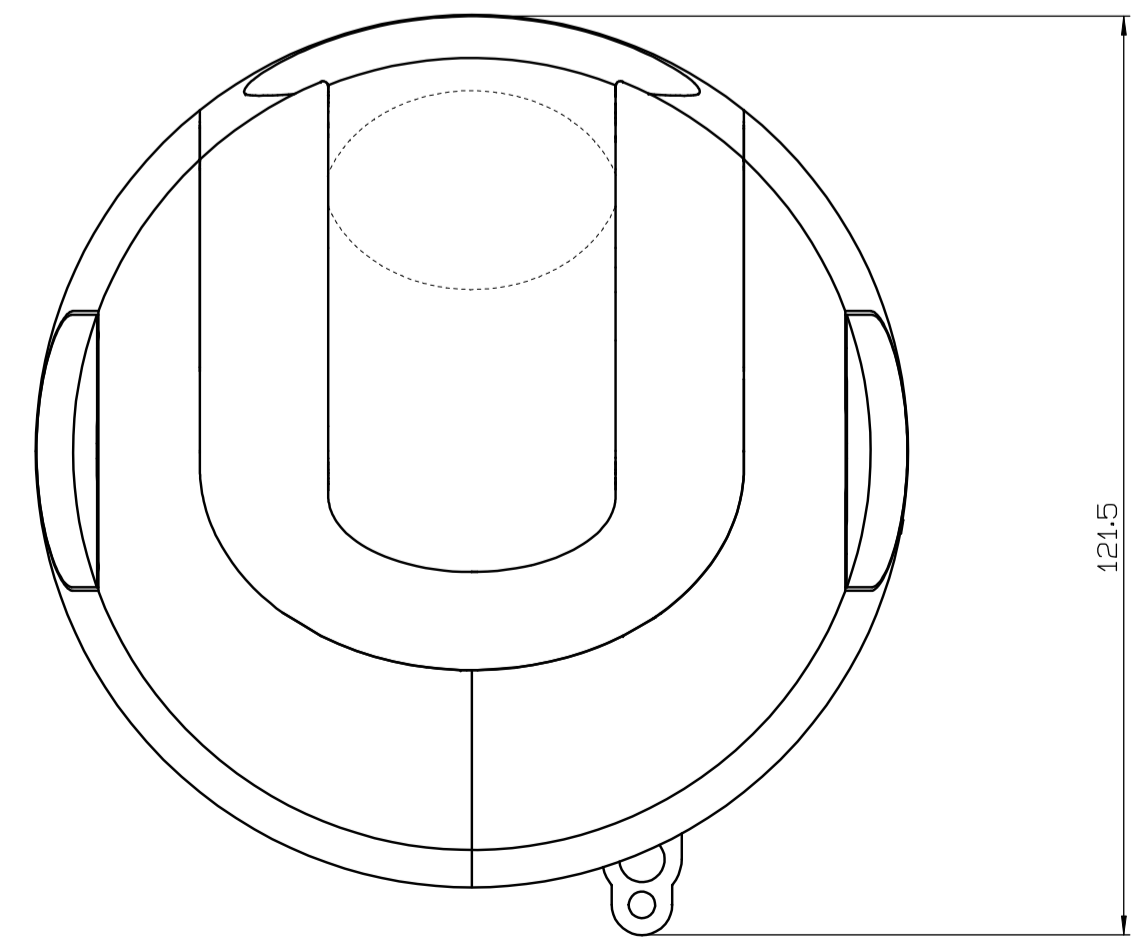
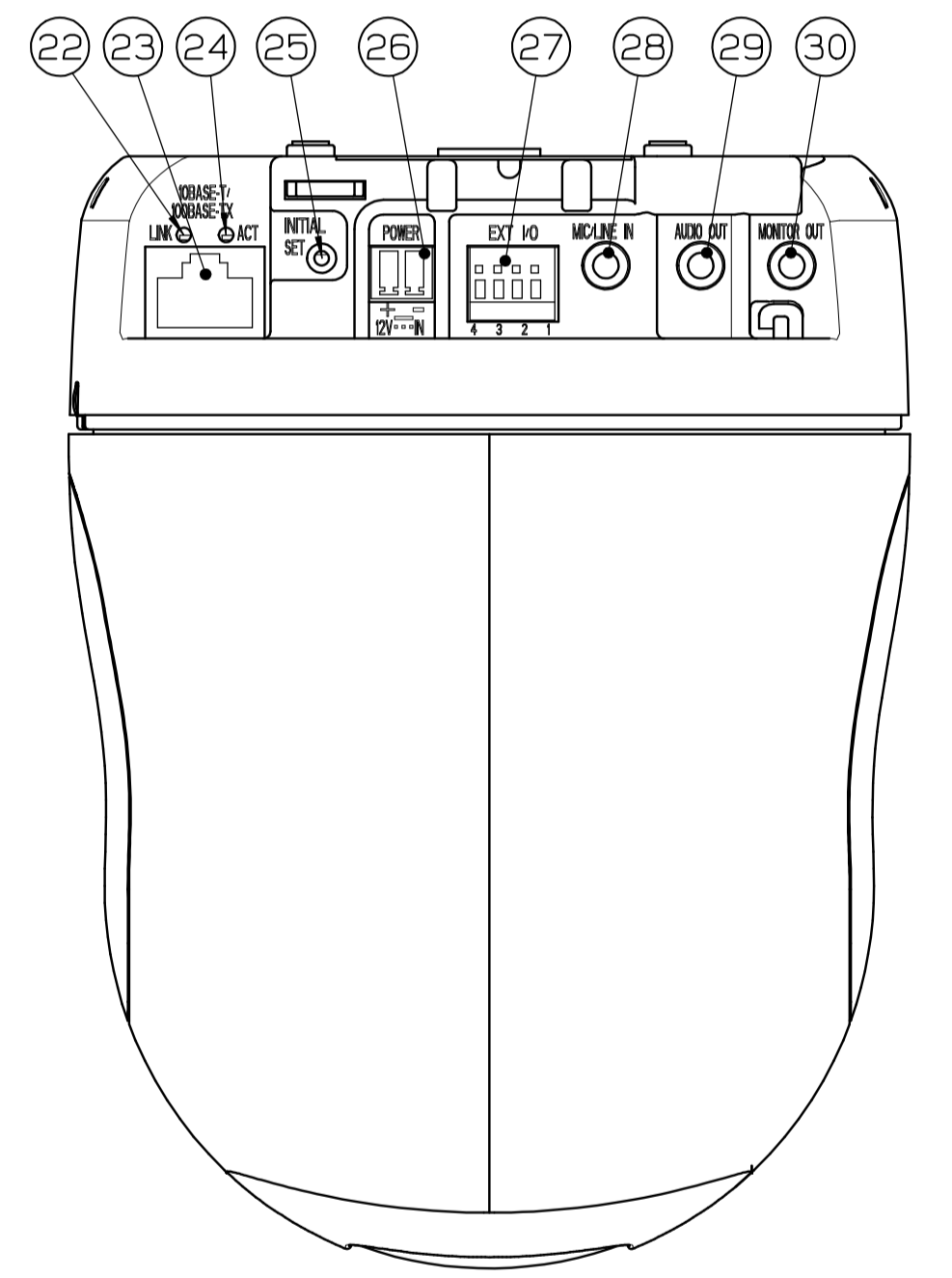
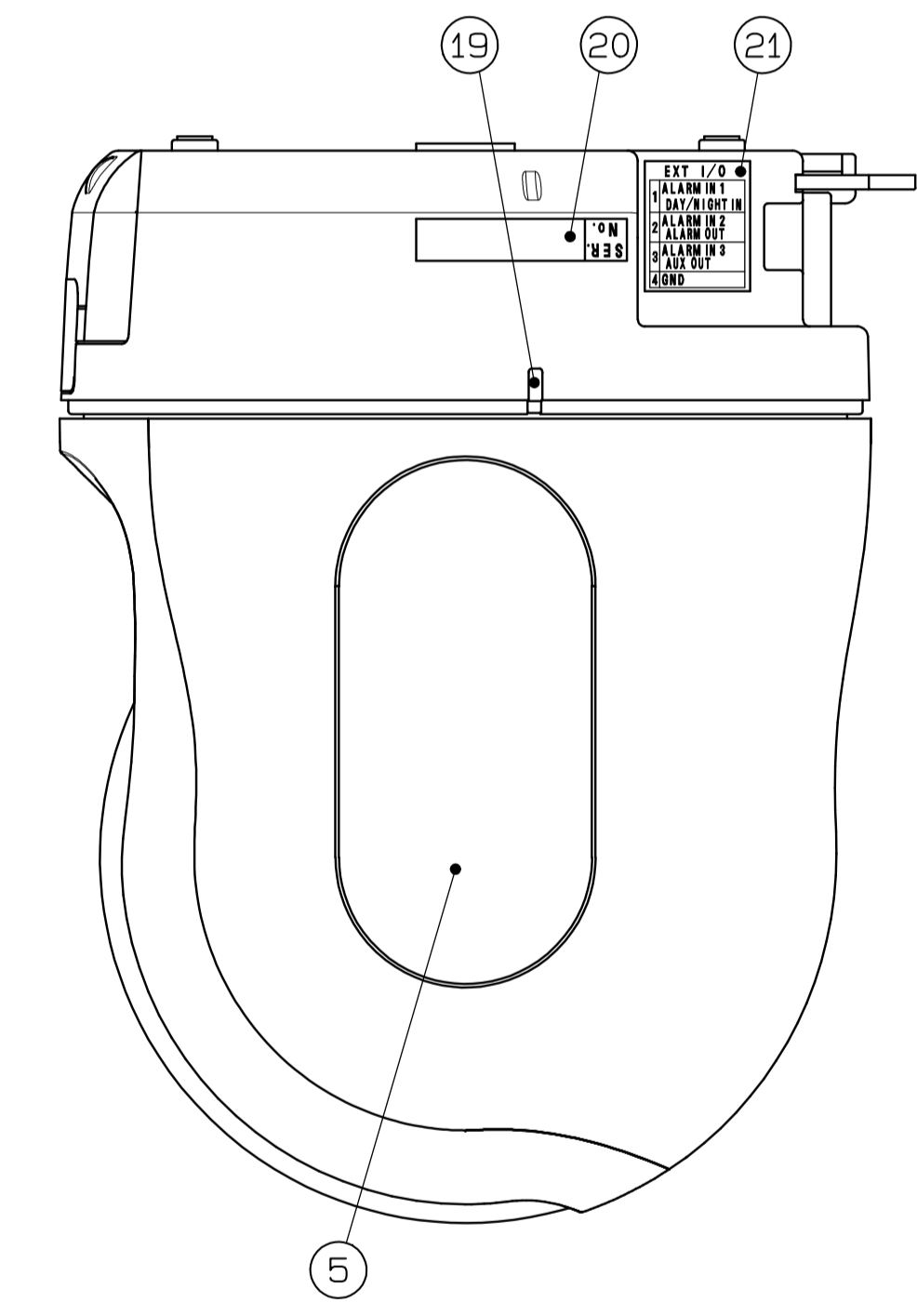
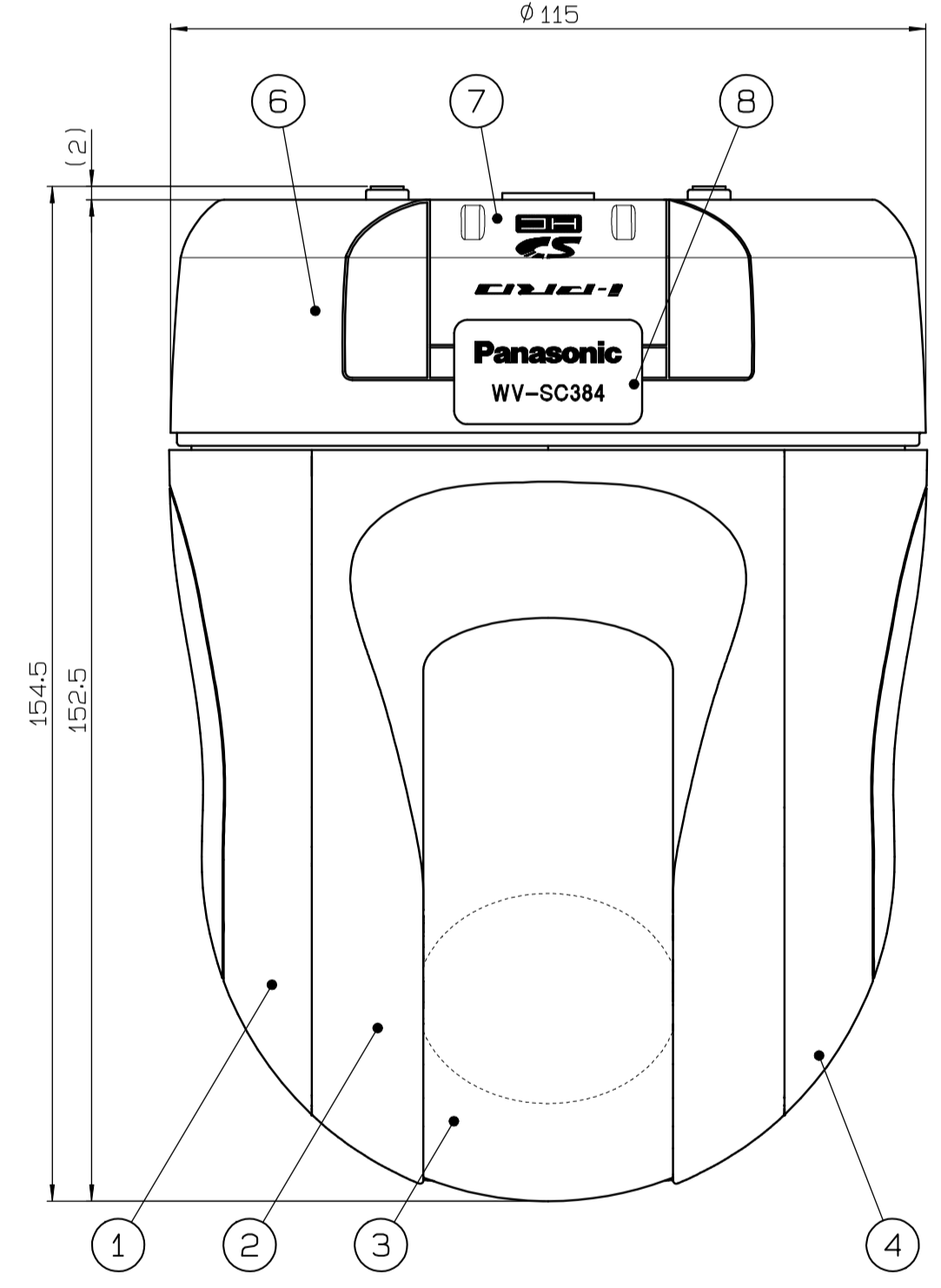
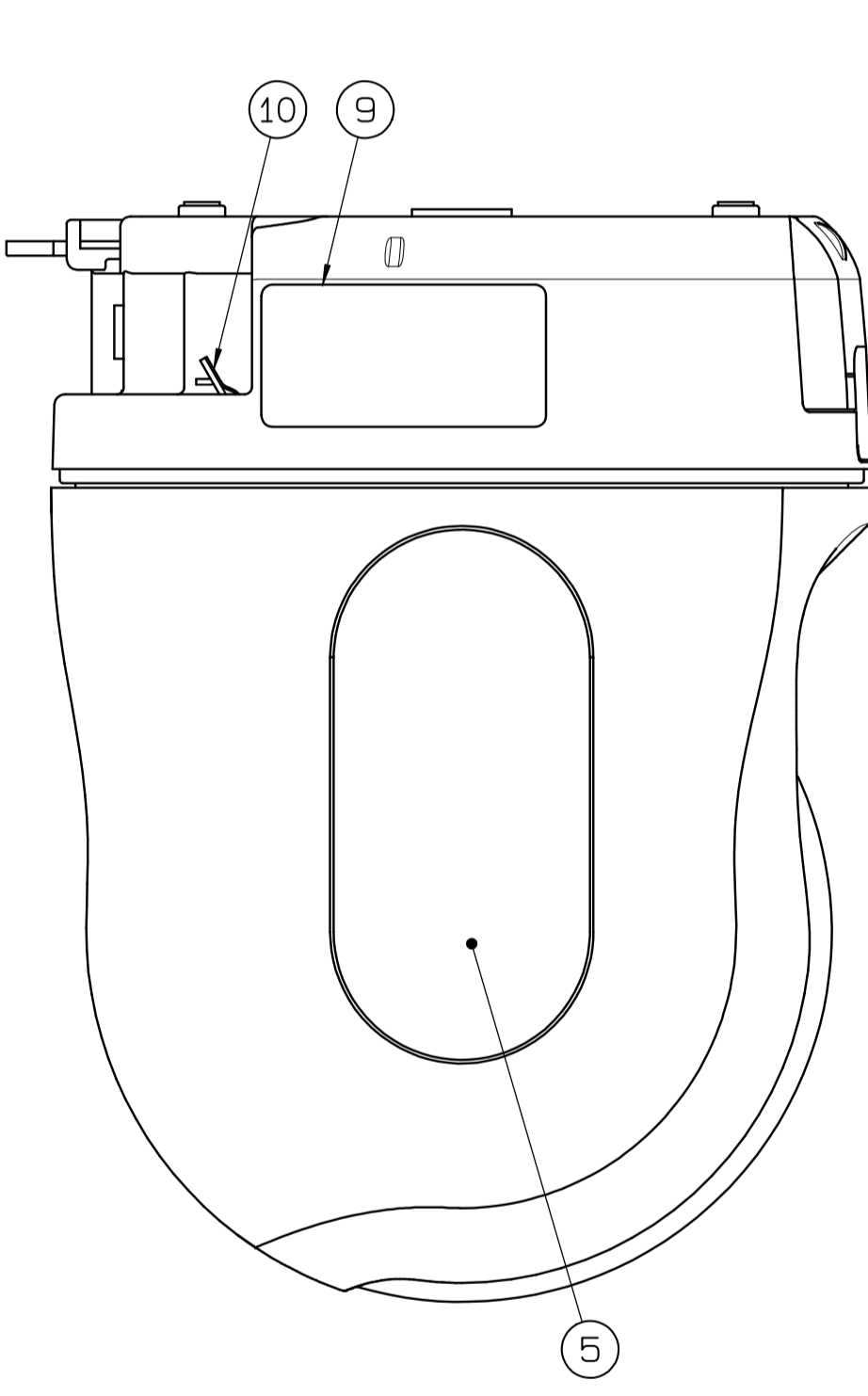
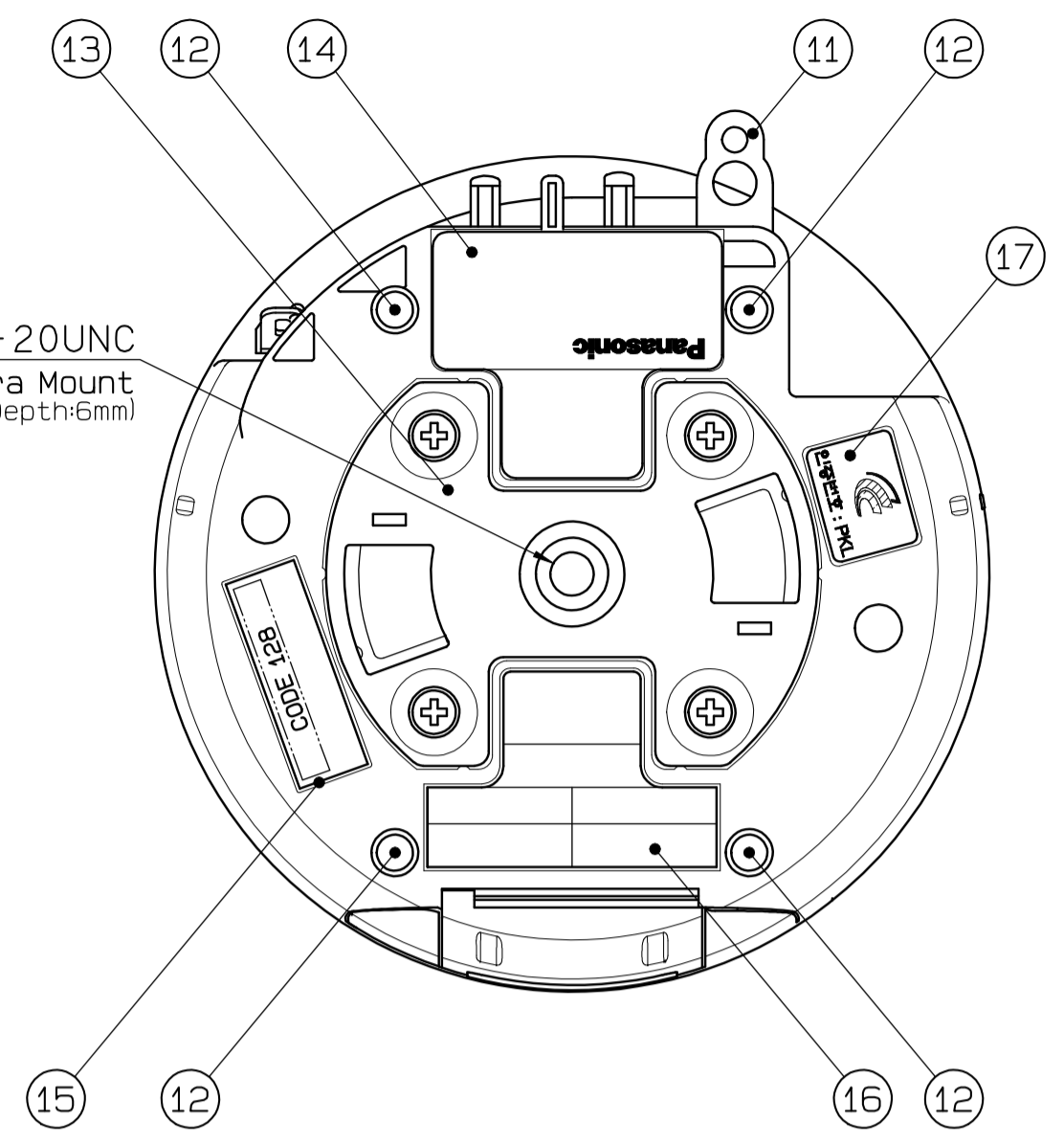
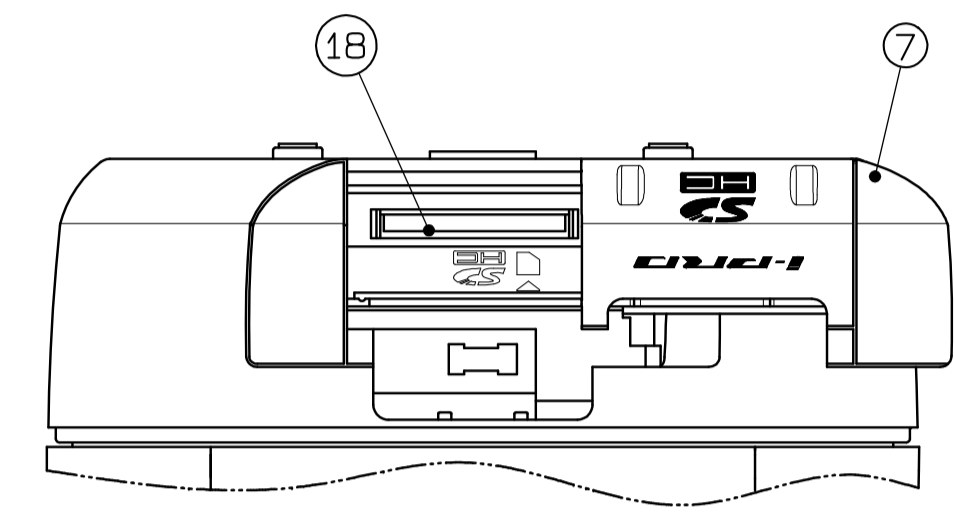
SYM	DATE	REVISION	SIGNED	CHECKED
△				
△				
△				

Sym	Parts Name	Qty	Material & Size	Process/Remark
1	Cover (R)	1	ABS/PC Resin	Coating (Fine Silver)
2	Dome Lens Cover	1	ABS/PC Resin	Coating (Fine Silver)
3	Dome Lens	1	Acrylic Resin	
4	Cover (L)	1	ABS/PC Resin	Coating (Fine Silver)
5	Side Panel	2	ABS/PC Resin	Coating (Fine Silver)
6	Base Case	1	ABS/PC Resin	Coating (Fine Silver) Printing
7	SD Card Cover	1	ABS/PC Resin	Coating (Fine Silver) Printing
8	Panasonic Plate	1	ABS/PC Resin	Coating (Fine Silver) Printing
9	FCC/DOC Label	1	Polyester film	Printing
10	Safety-Wire Hook	1	Carbon Steel/Stainless Steel	
11	Lock Plate	1	Aluminium Alloy	
12	Rubber Foot	4	Polyurethane foam	
13	Camera Mount Plate	1	Carbon Steel	Plating
14	Name Plate	1	Polyester film	Printing
15	Code Label(MAC Address)	1	Polyester film	Printing
16	Caution Label	1	Polyester film	Printing
17	KCC Label	1	Polyester film	Printing
18	SD Card Socket	1		
19	Status Indication Lamp	1		
20	Serial No. Label	1	Polyester film	Printing
21	AUX Label	1	Polyester film	Printing
22	LINK LED	1		
23	RJ-45 Terminal	1		
24	ACT LED	1		
25	INITIAL SET Switch	1		
26	POWER Connector	1		
27	EXT I/O Terminal	1		
28	MIC IN Connector	1		
29	AUDIO OUT Connector	1		
30	MONITOR OUT Connector	1		
31	Base Mount Plate	1	Carbon Steel/Stainless Steel	
32	Decoration Cover	1	ABS/PC Resin	Coating (Fine Silver) Printing
33	Safety-wire	1	Stainless Steel	
34	Camera Fixing Screw	1	Carbon Steel M3	Plating



1/4-20UNC  
For Camera Mount  
(Depth:6mm)

※ When The SD Card Cover is opened  
(Omit a Panasonic Plate)



Filename:

SYM	ITEM OR PARTS NO.	NAME	QTY	MATERIAL & SIZE	TREATMENT	REMARK
1	1					

REMARK	Weight: Approx 0.86kg	MODEL	WV-SC384P
SCALE	DESIGNED	DRAWN	CHECKED
1 : 1	urshijima	kobayashi	
	10-10-18	10-10-18	
		APPROVED	
		NAME	APPEARANCE
		DRAWING/Part No.	110A2543AA
		REF.NO.	