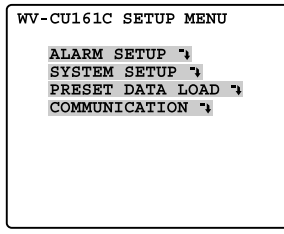


1CH Camera Controller WV-CU161C



KEY FEATURES

- Preset control : 64 positions function, focus, zoom ratio, rotation mode, etc.
- Lens control : zoom ratio, focus, iris
- Pan/tilt control : manual pan, manual tilt, auto-pan
- Receiver control : wiper, defroster, AUX 1-2
- Camera control : home position, camera setting, patrol function
- Preset control interlocked to alarm signal
- Built-in alarm recover input/reset output
- Built-in RS-485 terminal
- Built-in joystick positioner
- Preset data : up/download function, maximum 8 cameras

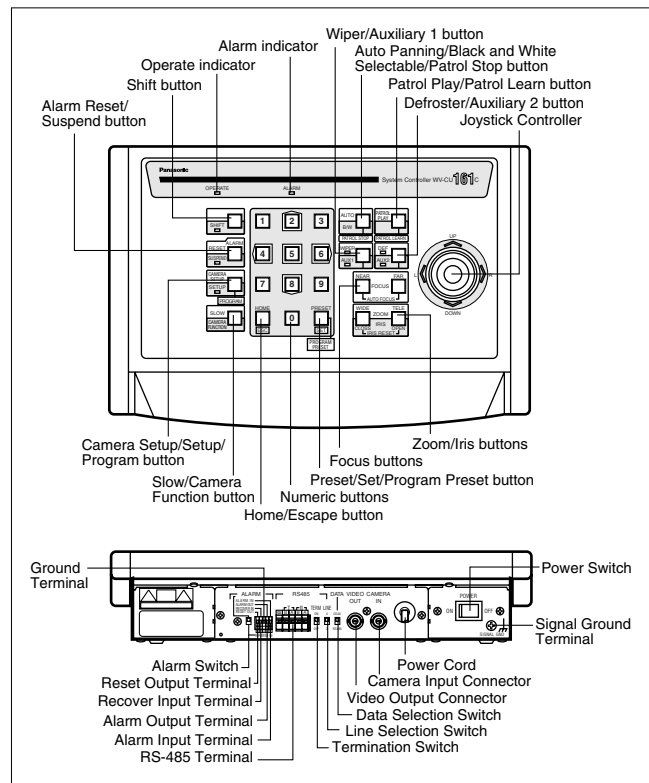


Example of Setup Menu

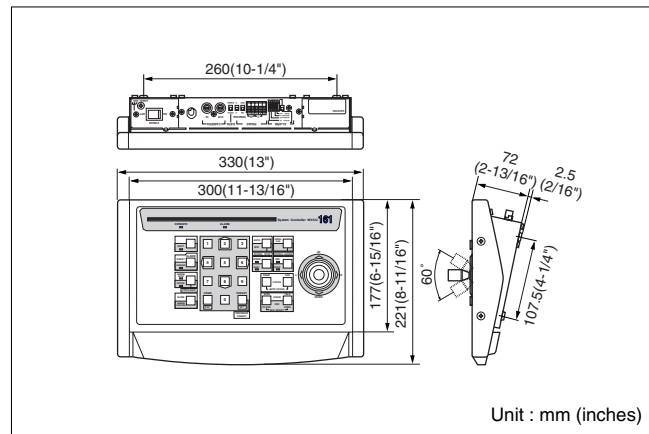
SPECIFICATIONS

Power Source	120 V AC 60 Hz
Power Consumption	6 W
Camera Input	Composite Video Signal 1.0 V _{p-p} / 75Ω
Alarm Input	Max. 4 input
Video Output	Composite Video Signal 1.0 V _{p-p} / 75Ω, multiplexed video and control data
Alarm Output	Open Collector Output 16 V DC, 100 mA max.
RS-485 Terminal	RS-485, full (4 line) or half (2 line) switchable
Lens Control	Zoom Tele / Wide (Electronic zoom: Depending on the camera model)
	Focus Near / Far / Auto Focus
	Iris Open / Close / Reset
Pan / Tilt Control	Manual Selectable at variable speed control
	Auto Pan On / Off
Housing Control	Wiper On / Off
	Defroster On / Off
	AUX 1.2 On / Off
Camera Control	Position Select Selectable 1 to 64 (max.)
(Depending on the camera model)	Home Position Possible
	Camera Setup Possible
	Patrol Learn Function Possible
	B/W, Color Mode Possible
Memory	Camera Preset Data Upload / Download (Max. 8 cameras)
Alarm	Alarm Buzzer On / Off
	Alarm Display On / Off
	Auto Reset / Manual Reset Possible
	Alarm Suspend Possible
Ambient Operating Temperature	-10°C - +50°C (14°F - 122°F)
Ambient Operating Humidity	Less than 90%
Dimensions (W x H x D)	330 x 74.5 x 221 mm (13" x 2-15/16" x 8-11/16")
Weight	2.4 kg (5.28 lbs.)

MAJOR OPERATING CONTROLS



DIMENSIONS



Unit : mm (inches)