



32-inch Class 720p Healthcare LCD HDTV

TH-32LRH30U

● Product specification (design and specification subject to change without notice)

■ DISPLAY PANEL

| | |
|--------------------------------|------------------------------|
| Screen Size (Diagonal) | 31.5 -inch |
| Aspect ratio | 16:9 |
| Panel | IPS (WXGA) |
| Effective Display Area (W x H) | 27.5" x 15.4" (698 x 392 mm) |
| Number of pixels (H x V) | 1,366 x 768 pixel |
| Brightness (Panel) | 450 cd/m ² |
| Contrast Ratio | 18,000 :1 |
| Viewing Angle | 178 degrees |
| Response Time | 7 ms (G to G) |
| Life Time | approx. 60,000 hours |
| Intelligent Scene Controller | Yes |

■ RECEIVING SYSTEM

| | |
|-------------------|---|
| ATSC / NTSC / QAM | VHF/ UHF: 2 - 69, CATV: 1 - 135 |
| FTG HD Support | EBL (embedded b-LAN) Requires FMA-PA101 or Local Authentication by SD |

■ VIDEO

| | |
|-------------|-------------------|
| VIDEO CODEC | MPEG2/MPEG4/H.264 |
|-------------|-------------------|

■ CONNECTION TERMINAL

| | |
|------------------------|--|
| RF IN (Antenna/Cable) | 1 |
| VIDEO IN | RCA x 1 (rear), RCA x 1 (side) |
| AUDIO IN (L/R) | RCA x 1 set (rear), x 1 set (side) |
| COMPONENT IN | RCA x 1 set (Y Pb Pr) (rear) |
| AUDIO IN (L/R) | RCA x 1 set (rear) |
| HDMI IN | HDMI TYPE A connector x 1 (rear), x 1 (side) |
| PC IN | MINI D-SUB 15PIN x1 (Female) (rear) |
| AUDIO IN (L/R) | RCA x 1 set (rear), shared with VIDEO IN 1 |
| AUDIO OUT (Analog L/R) | N/A |
| SD Card slot | 1 (side) |

■ CONTROL TERMINAL

| | |
|--------------------------|---|
| DATA / MTI | RJ-11(6pin) x 1 (rear) (Compatible with LodgeNet game controller) |
| SERIAL Port | M3 jack x 1 (rear), RS232C |
| Pillow Speaker Interface | M3 jack x 1 (rear) |

■ ELECTRICAL

| | |
|--------------------|--|
| Power Requirements | 110-127 V AC, 60Hz (Detachable AC Power Cable Cord - Healthcare Grade) |
| Power Consumption | 106W (Energy Star 5.3, CEC) |
| Stand-by condition | 0.8W |

■ AUDIO

| | |
|----------------------------------|--------------------------|
| Internal Speaker Output | 20W [10W + 10W] (10%THD) |
| Invisible Speaker System Details | 1 way 2 bottom Speaker |
| Sound System Type | AV Surround |
| Bass/Treble/Barance controls | Yes |

■ DIMENSIONS & WEIGHT

| | |
|-------------------------------|--|
| Dimensions (W x H x D) | 31.5" x 20.1" x 3.3" (798 x 511 x 83 mm) |
| Carton Dimensions (W x H x D) | 40.6" x 23.7" x 7.6" (1030 x 602 x 193 mm) |
| Weight | approx. 22.0 lbs. (10.0 kg) |
| Gross weight | approx. 28.7 lbs. (13.0 kg) |
| Cabinet Color | Black (Matte Black) |

■ ENVIRONMENTAL

| | |
|-----------------------|--|
| Operating environment | Temperature : 32° F to 95° F (0 °C to 35 °C) |
| | Humidity : 20% to 80% (Non condensation) |
| Storage environment | Temperature : -4° F to 140° F (-20°C to 60 °C) |
| | Humidity : 20% to 90% (Non condensation) |

MAIN FEATURE

| | |
|----------------------|--|
| Integrated Pro:Idiom | Yes |
| Local Aucentication | Yes |
| Welcome Image | Yes |
| Channel Remap | Yes |
| SD Card Slot | Image Viewer (JPEG playback) Cloning |
| OFF Timer | 15/30/60/90 minutes |
| Hospital Mode | Initial INPUT Initial Channel Initial VOL level Maximum VOL level Button Lock Power Control |

ACCESSORIES

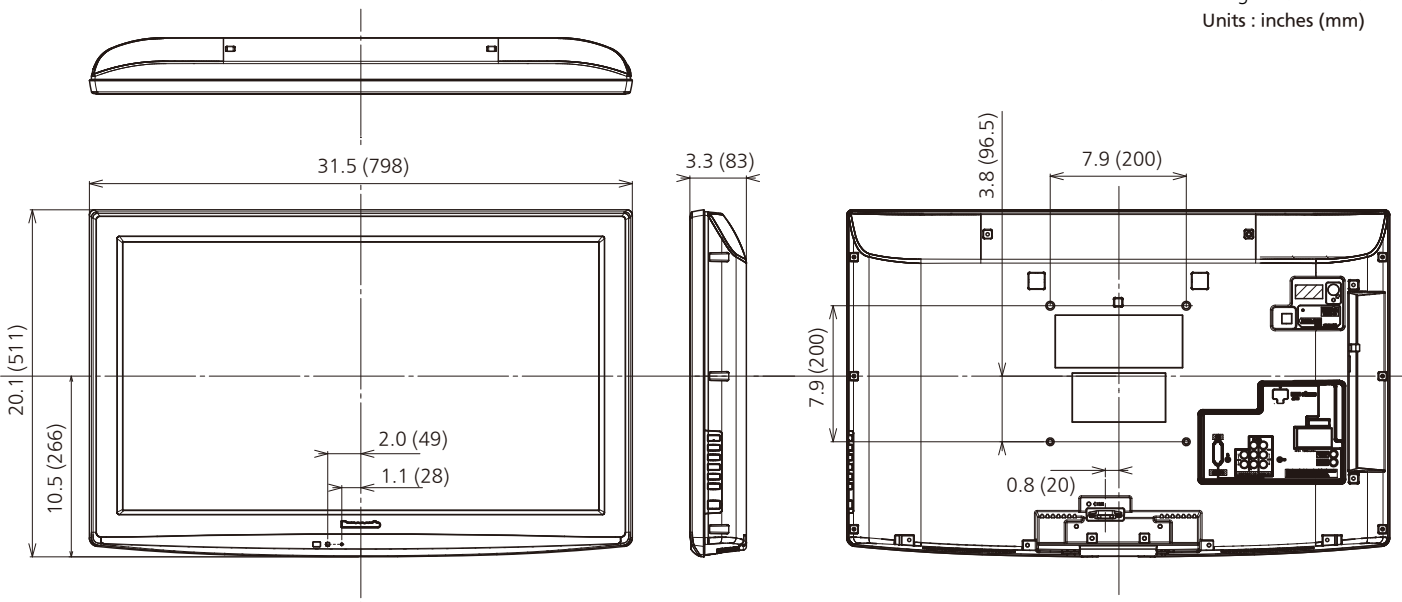
| | |
|----------------------|---|
| INCLUDED ACCESSORIES | AC Power Cord (7.5 ft. Healthcare Grade) Clamper for Power Cord Operating Instruction |
| OPTIONAL ACCESSORIES | Wall hanging bracket (TY-WK3L2RW) *VESA Compliant W 200 x H 200mm Installer Remote Control (N2QAYB000485) |

STANDARD (CERTIFICATIONS)

| | |
|-----------------------|--|
| SAFETY REGULATIONS | UL60065 Healthcare Grade (Annex Q), UL6500 Ver.2 |
| RADIATION REGULATIONS | FCC Part 15 Class-B, ICES-003, ISTA |

| | |
|----------|--------------|
| UPC Code | 885170042797 |
|----------|--------------|

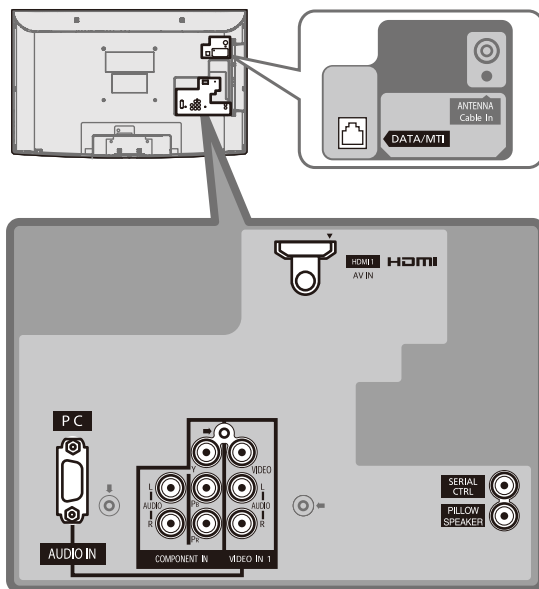
DIMENSIONS



Cautions: This drawing is not a scale
Units : inches (mm)

CONNECTION TERMINAL

<rear>



<side>

