



## 32-inch Class 720p Hospitality LCD HDTV TH-32LRU5

### Product specification (design and specification subject to change without notice)

#### ■ DISPLAY PANEL

Screen Size (Diagonal)	31.5 -inch
Aspect Ratio	16:9
Panel	IPS (WXGA)
Effective Display Area (W x H)	27.5" x 15.4" (698 x 392 mm)
Resolution (H x V)	1,366 x 768 pixel
Brightness (Panel)	450 cd/m <sup>2</sup>
Dynamic Contrast Ratio	18,000 :1
Viewing Angle	178 degrees
Response Time	7 ms (G to G)
Life Time	approx. 60,000 hours
Intelligent Scene Controller	Yes

#### ■ RECEIVING SYSTEM

ATSC/NTSC/QAM	VHF/ UHF: 2 - 69, CATV: 1 - 135
FTG HD Support	Local Authentication by SD Card

#### ■ VIDEO

VIDEO CODEC	MPEG2, MPEG4/H.264
-------------	--------------------

#### ■ CONNECTION TERMINAL

RF IN (Antenna/Cable)	1	
VIDEO IN	RCA x 1 (rear)	1.0 V [p-p] (75Ω)
AUDIO IN (L/R)	RCA x 1 set (rear)	0.5 V [rms]
COMPONENT VIDEO IN	RCA x 1 set (Y Pb Pr) (rear)	Y : with sync 1.0 V [p-p] Pb, Pr : ±0.35 V [p-p] (75Ω)
AUDIO IN (L/R)	RCA x 1 set (rear)	0.5 V [rms]
HDMI IN	HDMI TYPE A connector x 1 (rear), x 1 (side)	
PC IN	MINI D-sub 15pin x1 (Female)	R, G, B : 0.7 V [p-p] (75Ω) HD/VD : 1.0 - 5.0 V [p-p] (high impedance)
AUDIO IN (L/R)	3.5mm jack x 1 (rear)	0.5 V [rms]
AUDIO OUT (Digital / SPDIF)	N / A	
AUDIO OUT (Analog)	3.5mm jack x 1 (rear)	0.5 V [rms]
SD Card slot	1	

#### ■ CONTROL TERMINAL

MTI	RJ11 (6pin) x 1 (rear)
SERIAL Port	N / A

#### ■ ELECTRICAL

Power Requirements	110-127 V AC, 60Hz (AC Power Cable 90.6" (2.3m))
Power Consumption	115W
On mode Average Power Consumption*	53W
Stand-by Power	0.9W

\*Based on IEC 62087 Ed.2 section 11.6.1 measurement method

#### ■ AUDIO

Audio Output Power	10W + 10W (10%THD)
Invisible Speaker System Details	1 way 2 bottom Speakers
Sound System Type	AV Surround
Bass/Treble/Barance controls	Yes

#### ■ DIMENSIONS & WEIGHT

Including TV Stand (W x H x D)	31.5" x 21.8" x 10.8" (798 x 553 x 272 mm)
TV Set Only (W x H x D)	31.5" x 20.2" x 3.3" (798 x 511 x 83 mm)
Carton Dimensions (W x H x D)	40.6" x 23.7" x 7.6" (1,030 x 602 x 193 mm)
Including TV Stand (Weight)	approx. 27.6 lbs. (12.5 kg)
TV Set Only (Weight)	approx. 21.0 lbs. (9.5 kg)
Gross weight	approx. 35.3 lbs. (16.0 kg)
Cabinet Color	Black (Texture)

#### ■ ENVIRONMENTAL

Operating environment	Temperature	: 32° F to 95° F (0 °C to 35 °C)
	Humidity	: 20% to 80% (Non condensation)
Storage environment	Temperature	: -4° F to 140° F (-20°C to 60 °C)
	Humidity	: 20% to 90% (Non condensation)

UPC Code	885170077096
----------	--------------

**MAIN FEATURE**

VIERA Link™, HDAVI Control™	Yes
Fast Boot	Yes
Integrated Pro:Idiom	Yes
Local Aucentication	Yes
Welcome Image	Yes
SD Card Slot	Image Viewer (JPEG playback) Cloning
OFF Timer	15/30/60/90 minutes
Hotel Mode	Initial INPUT Initial Channel Initial VOL level Maximum VOL level Button Lock Power Control

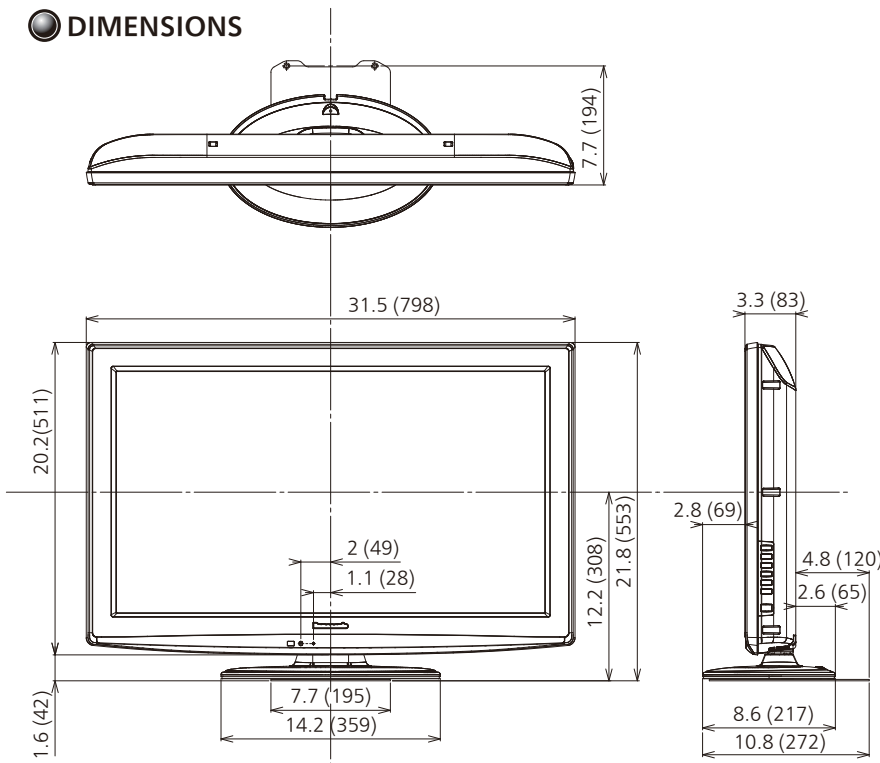
**ACCESSORIES**

INCLUDED ACCESSORIES	Swivel Stand (degrees:30°/60°/90°) Antitheft Screw for Stand Remote control transmitter Batteries for the Remote Control Transmitter (AA Battery x 2) Security Lockdown Screws (Security Bit : Optional) Operating Instruction
Optional Accessories	Wall hanging bracket (TY-WK3L2RW) *VESA Compliant W200xH200 mm

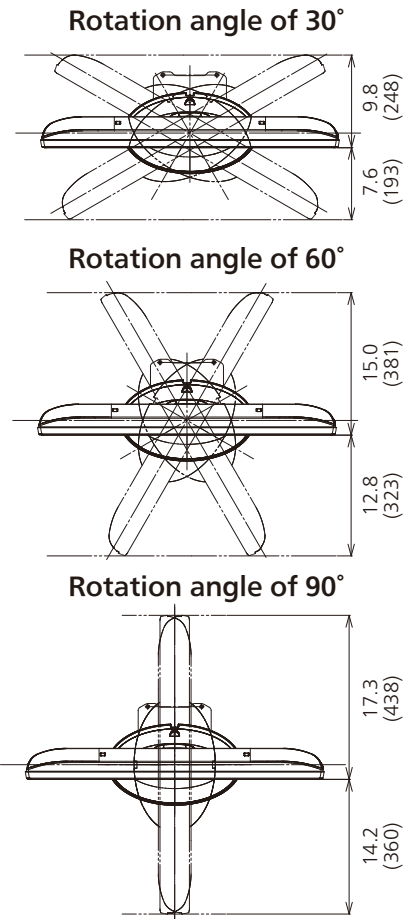
**STANDARD (CERTIFICATIONS)**

SAFETY REGULATIONS	UL6500 Ver.2, cUL, BETS-7
RADIATION REGULATIONS	FCC Part 15 Class-B, ICES-003, ISTA

**DIMENSIONS**

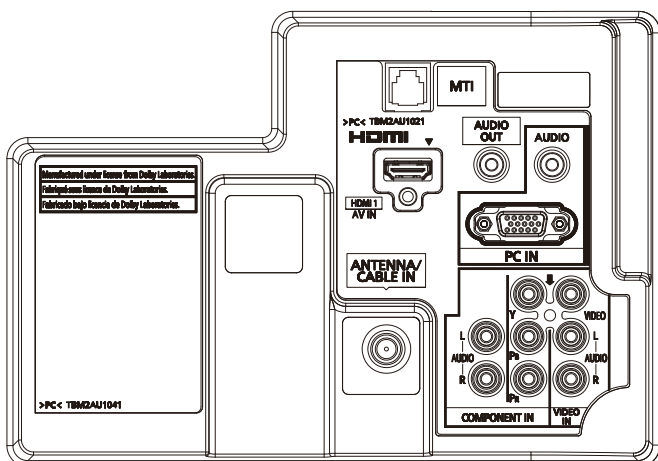


Cautions: This drawing is not a scale  
Units : inches (mm)



**CONNECTION TERMINAL**

<rear>



<side>

