



39-inch Class 1080p Hospitality LCD HDTV

TH-39LRU60

● Product specification (design and specification subject to change without notice)

■ DISPLAY PANEL

Screen Size	38.5 -inch
Aspect ratio	16:9
Panel	1080p (WSXGA)
Effective Display Area (W x H)	32.6" x 18.9" (854 x 480 mm)
Resolution (H x V)	1,920 x 1,080 pixel
Brightness (Panel)	250 cd/m ²
Viewing Angle	178 degrees
Intelligent Scene Controller	Yes

■ RECEIVING SYSTEM

ATSC/NTSC/QAM	VHF/ UHF: 2 - 69, CATV: 1 - 135
FTG HD Support	EBL (Embedded b-LAN) Requires FMA-PA101 or Local Authentication by USB Memory

■ VIDEO

VIDEO CODEC	MPEG2, MPEG4/H.264
-------------	--------------------

■ CONNECTION TERMINAL

RF in (Antenna/Cable)	1	
Video In	RCA x 1 (rear), RCA x 1 (side)	1.0 V [p-p] (75Ω)
Audio In (L/R)	RCA x 1 set (rear (share with component)), x 1 set (side)	0.5 V [rms]
Component Video In	RCA x 1 set (Y Pb Pr) (rear)	Y : with sync 1.0 V [p-p] (75Ω) Pb, Pr : ±0.35 V [p-p] (75Ω)
Audio In (L/R)	RCA x 1 set (rear)	0.5 V [rms]
HDMI In	HDMI TYPE A connector x 2 (rear), x 1 (side)	
PC In	MINI D-sub 15pin x1 (female, rear)	R, G, B : 0.7 V [p-p] (75Ω) HD/VD : 1.0 - 5.0 V [p-p] (high impedance)
Audio In (L/R)	3.5 mm jack x 1 (rear)	0.5 V [rms]
Audio Out (Digital / SPDIF)	Non	
Audio Out (Analog L/R)	3.5 mm jack x 1 (rear)	0.5 V [rms]
USB Slot	1	

■ CONTROL TERMINAL

DATA / MTI	RJ-11(6pin) x 1 (rear) (Compatible with LodgeNet game controller)
Serial Port	3.5 mm jack x 1 (rear), RS232C

■ ELECTRICAL

Power Requirements	110-127 V AC, 60Hz (Detachable AC Power Cord 90.6" (2.3 m))
Power Consumption	80 W
On mode Average Power Consumption*	34.3 W (Energy star 6.0, CEC)
Stand-by Power	Under 1.0 W

*Based on IEC 62087 Ed.2 section 11.6.1 measurement method

■ AUDIO

Audio Output Power	10W + 10W
Invisible Speaker System Details	1 way 2 bottom Speakers
Bass/Treble/Barance controls	Yes

■ MECHANICAL

Including TV Stand (W x H x D)	35.3" x 24.4" x 9.0" (896 x 618 x 227 mm)
TV Set Only (W x H x D)	35.3" x 21.1" x 3.3" (896 x 537 x 84 mm)
Carton Dimensions (W x H x D)	46.0" x 24.6" x 5.6" (1,166 x 623 x 142 mm)
Including TV Stand (Weight)	approx. 23.4 lb. (10.6 kg)
TV Set Only (Weight)	approx. 19.8 lb. (9.0 kg)
Gross weight	approx. 33.1 lb. (15.0 kg)
Cabinet Color	Glossy Black
Pitch for Wall-Hanging	VESA Compliant W200 x H200 mm

■ ENVIRONMENTAL

Operating environment	Temperature	: 32°F to 95°F (0°C to 35°C)
	Humidity	: 20% to 80% (Non condensation)
Storage environment	Temperature	: -4°F to 140°F (-20°C to 60°C)
	Humidity	: 20% to 90% (Non condensation)

UPC Code	885170123090
----------	--------------

MAIN FEATURE

VIERA Link™, HDAVI Control™	Yes
Integrated Pro:Idiom	Yes
Local Authentication	Yes
Welcome Image	Yes
USB Slot	Image Viewer (JPEG playback), Cloning
OFF Timer	15/30/60/90 minutes
Hotel Mode	Initial INPUT Initial Channel Initial VOL level Maximum VOL level Button Lock Power Control

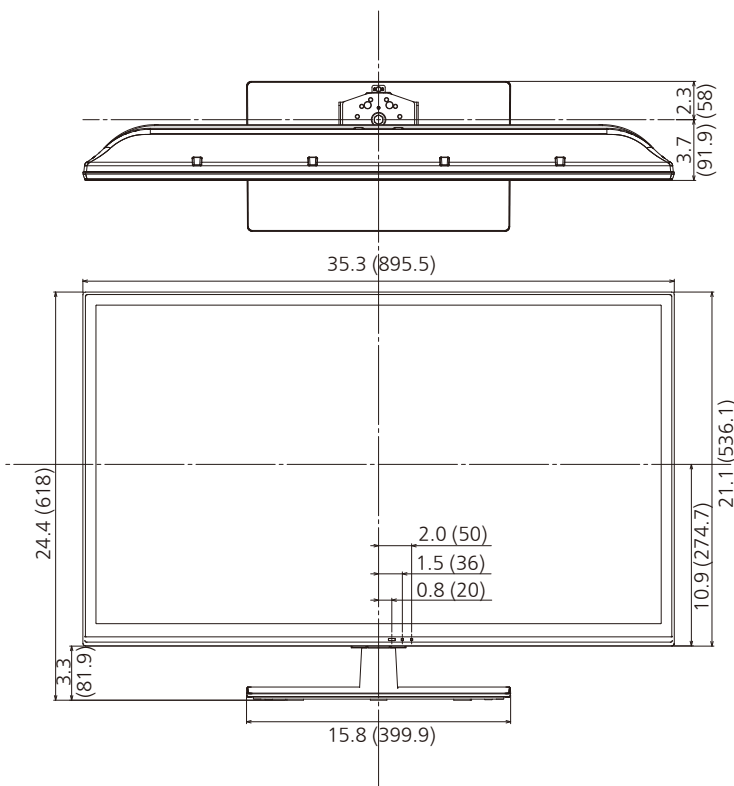
ACCESSORIES

Included Accessories	Swivel Stand (Rotate Angle : 30/60/90 degrees) AC Power Cord 90.6" (2.3 m) Antitheft Screw for Stand Remote control transmitter (N2QAYB000820) Batteries for the Remote Control Transmitter (AA Battery x 2) Security Lockdown Screws (Security Bit : Optional) Operating Instruction
----------------------	---

STANDARD (CERTIFICATIONS)

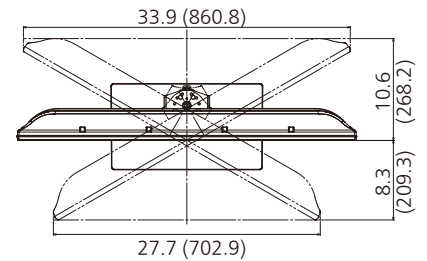
Safety Regulations	UL6500 Ver.2, cUL, BETS-7
Radiation Regulations	FCC Part 15 Class-B, ICES-003
ENERGY STAR 6.0, CEC	Yes

DIMENSIONS

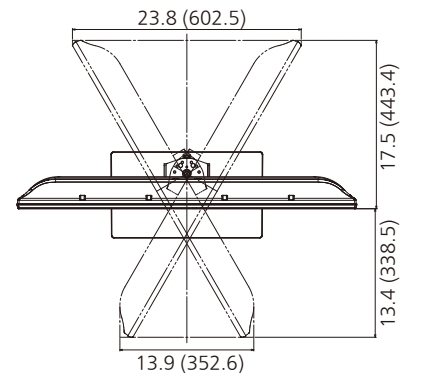


Cautions: This drawing is not a scale
Units : inches (mm)

Rotation angle of 30°

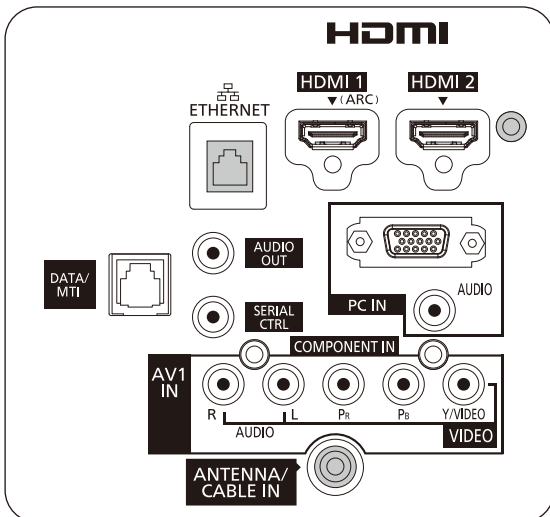


Rotation angle of 60°

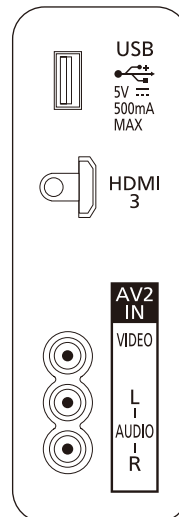


CONNECTION TERMINAL

<rear>



<side>



Rotation angle of 90°

